

NOTES

- 1. 端子テール部及びネイルの平坦度:0.1 MAX
TAIL AND NAIL COPLANARITY TO BE 0.1 MAX
- △2 極数/2 = 偶数に適用
APPLY FOR CIRCUIT SIZE / 2 =EVEN
- △3 関連製品、書類はSHEET 5を参照のこと
REFER TO SHEET 5 ABOUT RELATED PRODUCTS OR DOCUMENTS.
- △4 オーダー番号(製品番号) : SHEET 6の製品一覧を参照ください
ORDER No (MATERIAL No) : REFER TO SHEET 6 FOR PRODUCT LIST

213225 ****

シリーズ番号 ↑ 極数 ↑ 色 ↑
SERIES NO CIRCUIT SIZE COLOR
金めつき厚 ↑
GOLD PLATING THICKNESS

| CIRCUIT | No. | GOLD THK [micro-meters] | No. | COLOR |
|---------|-----|-------------------------|-----|---------------|
| 02 ~ 15 | 1 | 0.1 | 0 | ナチュラル NATURAL |
| | 3 | 0.38 | 1 | 黒 BLACK |
| | 7 | 0.76 | | |

| | | | | | | | |
|------|-------|---------|------|-------|------|--------------|---|
| 25 | ±0.25 | 21 | 26.8 | ±0.25 | 15 | | |
| 23.5 | | 19.5 | 25.3 | | 14 | | |
| 22 | | 18 | 23.8 | | 13 | | |
| 20.5 | | 16.5 | 22.3 | | 12 | | |
| 19 | | 15 | 20.8 | | 11 | | |
| 17.5 | | 13.5 | 19.3 | | 10 | | |
| 16 | | 12 | 17.8 | | 9 | | |
| 14.5 | | 10.5 | 16.3 | | 8 | | |
| 13 | | 9 | 14.8 | | 7 | | |
| 11.5 | | 7.5 | 13.3 | | 6 | | |
| 10 | | 6 | 11.8 | | 5 | | |
| 8.5 | | (±0.20) | 4.5 | | 10.3 | (±0.20) | 4 |
| 7 | | | 3 | | 8.8 | | 3 |
| 5.5 | | | 1.5 | | 7.3 | | 2 |
| | | C | B | | A | 極数 CKT NO | |

| 番号 NO. | 部品 PART | 材質 MATERIAL | |
|--------|----------------|--|--|
| ① | ハウジング HOUSING | ポリアミド(PA) UL94V-0 色 : SEE CHART POLYAMIDE(PA) UL94V-0 COLOR : SEE CHART | |
| ② | ターミナル TERMINAL | 銅合金 COPPER ALLOY | |
| | | コンタクト部 CONTACT AREA | 金めつき : 製品一覧参照 GOLD PLATING : SEE PRODUCT LIST |
| | | テール部 TAIL AREA | 無光沢錫めつき : 1.0 micro-meter MIN MATTE TIN PLATING : 1.0 micro-meter MIN |
| ③ | ネイル NAIL | 下地めつき(全面) UNDER PLATING (WHOLE SURFACE) | ニッケルめつき : 2.0 micro-meters MIN NICKEL PLATING : 2.0 micro-meters MIN |
| | | 黄銅 BRASS | 無光沢錫めつき : 1.0 micro-meter MIN MATTE TIN PLATING |
| | | ニッケルめつき(下地) : 1.0 micro-meter MIN NICKEL PLATING (UNDER PLATING) | |

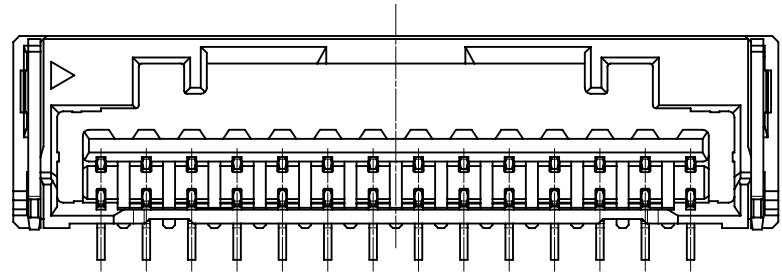
THIS DRAWING CONTAINS INFORMATION THAT IS PROPRIETARY TO MOLEX ELECTRONIC TECHNOLOGIES, LLC AND SHOULD NOT BE USED WITHOUT WRITTEN PERMISSION

| | | | |
|--|---------|-------------------|------------|
| DIMENSION UNITS | SCALE | CURRENT REV DESC: | |
| mm | NTS | | |
| GENERAL TOLERANCES (UNLESS SPECIFIED) | | | |
| ANGULAR TOL | ± 3.0 ° | | |
| 4 PLACES | ± 0.2 | EC NO: 701023 | |
| 3 PLACES | ± 0.2 | DRWN: MIKEDA01 | 2022/03/28 |
| 2 PLACES | ± 0.2 | CHK'D: SAKIYAMA | 2022/05/09 |
| 1 PLACE | ± 0.2 | APPR: AIDA | 2022/05/09 |
| 0 PLACES | ± 0.2 | INITIAL REVISION: | |
| DRAFT WHERE APPLICABLE MUST REMAIN WITHIN DIMENSIONS | | DRWN: MIKEDA01 | 2019/11/07 |
| THIRD ANGLE PROJECTION | | APPR: KOMURAKAMI | 2019/11/20 |
| DRAWING | SERIES | MATERIAL NUMBER | CUSTOMER |
| A3-SIZE | 213225 | 2132250000-SD | GENERAL |
| DOCUMENT NUMBER | | DOC TYPE | DOC PART |
| 2132250000-SD | | PSD | 000 |
| SHEET NUMBER | | REVISION | |
| 1 OF 6 | | E | |

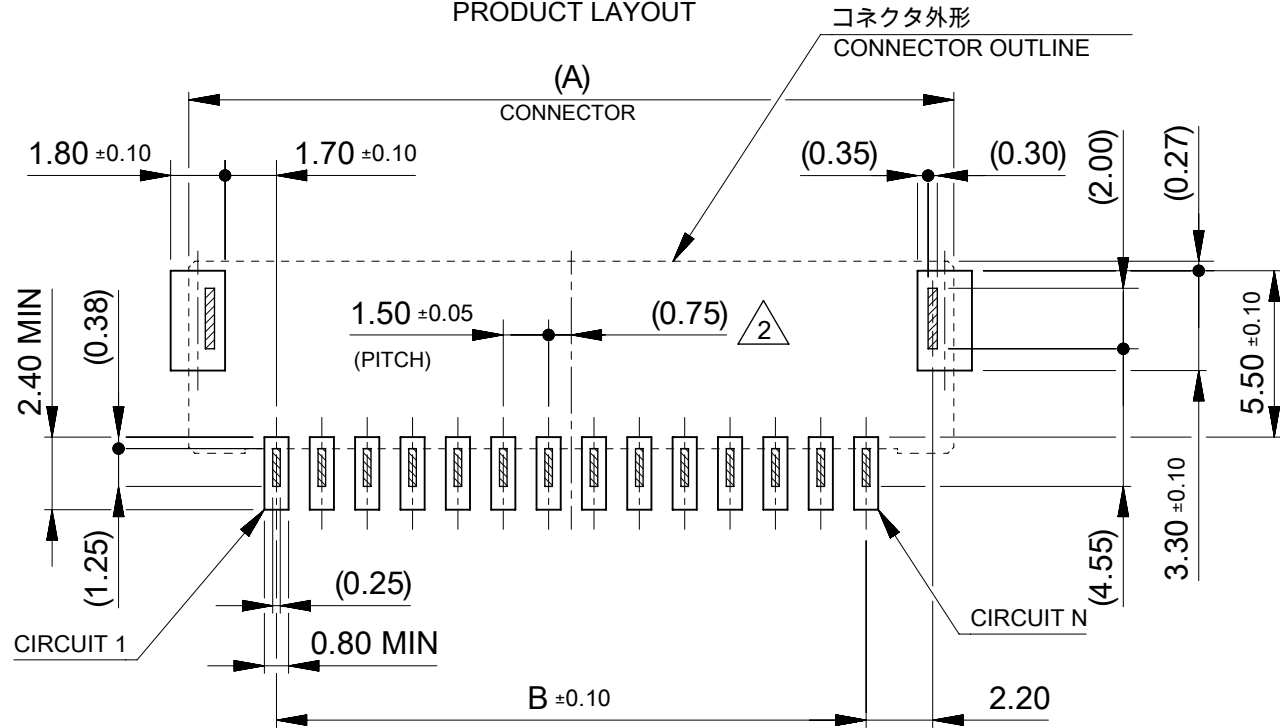
molex

CLIK-MATE 1.5
SINGLE ROW SMT VT TYPE REC ASSY
GOLD PLATING

PRODUCT CUSTOMER DRAWING



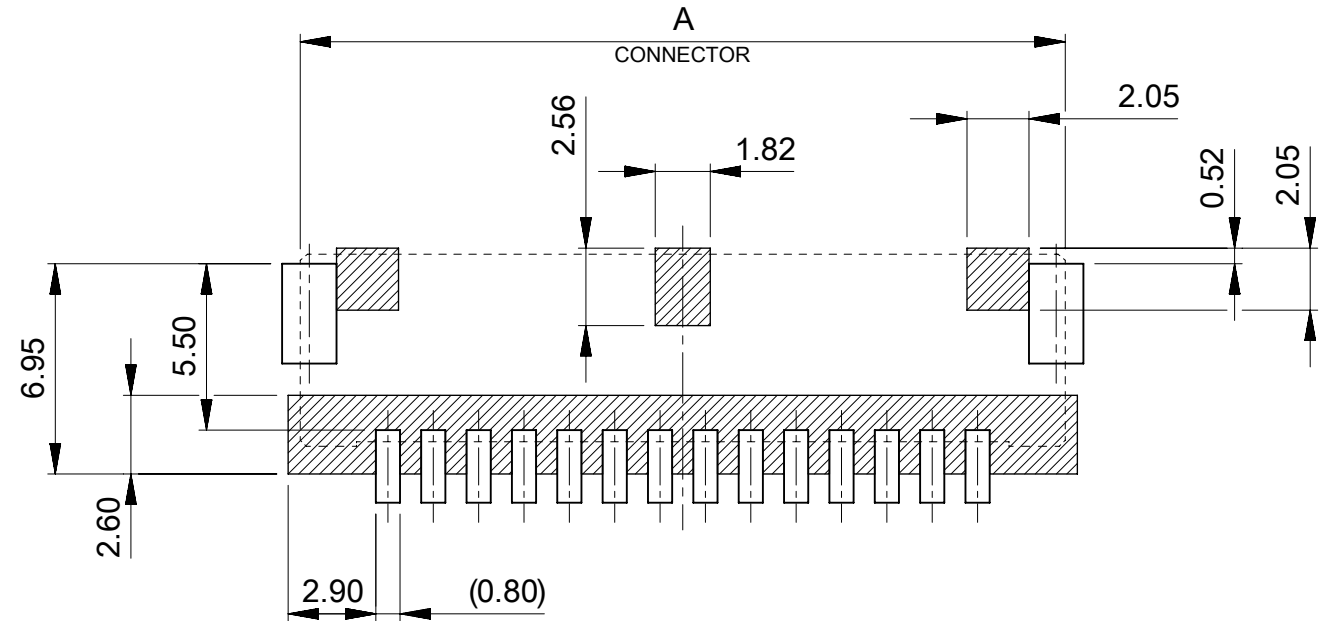
製品レイアウト
PRODUCT LAYOUT



基板レイアウト(参考)

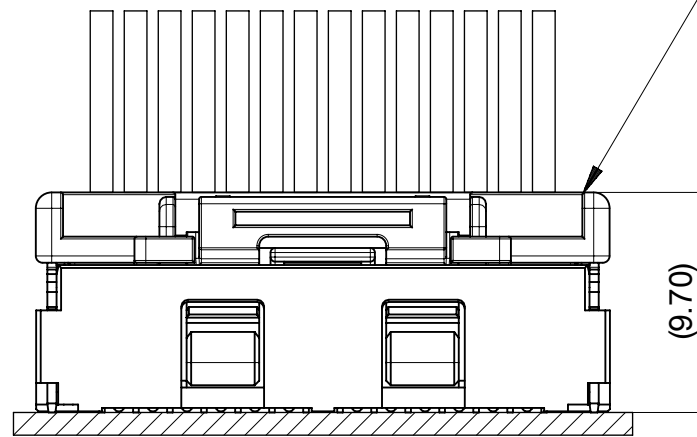
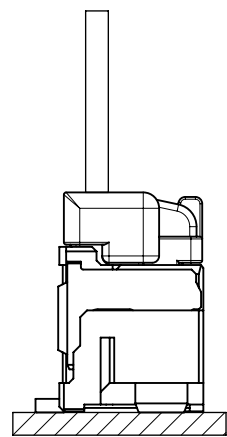
PCB PATTERN LAYOUT (REFERENCE)
(参考:メタルマスク厚さ 0.10mm, マスク開口率100%)
(REFERENCE:METAL MASK THICKNESS 0.10mm, APERTURE RATIO 100%)

コネクタ外形
CONNECTOR OUTLINE



パターン非推奨エリア

パターンを引き回す際は、製品機能に影響がないことをご確認ください。
PATTERN IS NOT RECCOMENDED ON THE HATCHED AREA.
PLEASE CHECK NOT TO HAVE PROBLEM FOR PRODUCT FUNCTION
WHEN SETTING PATTERN ON THE HATCHED AREA.

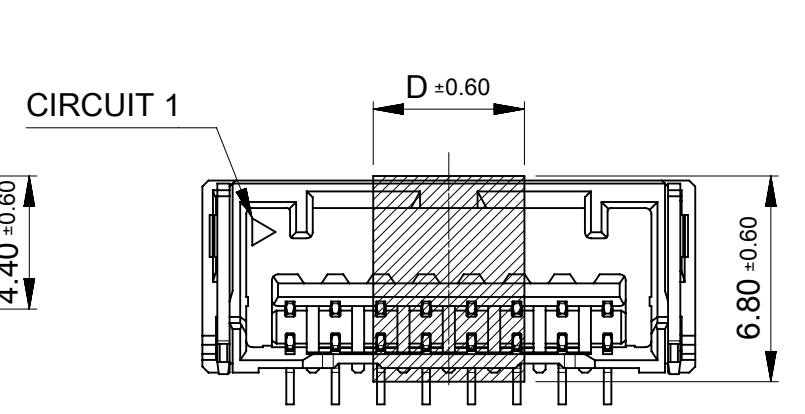
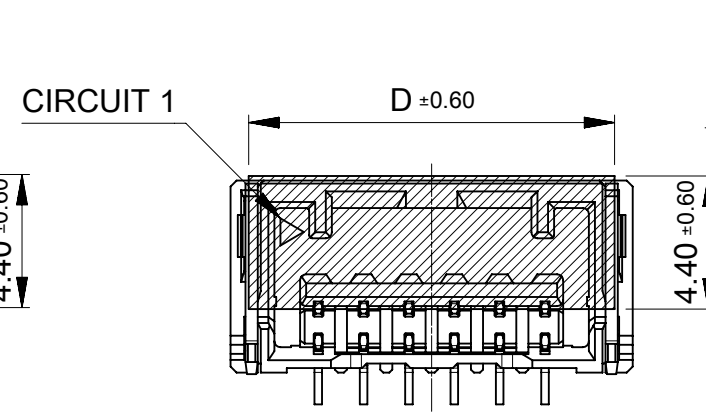
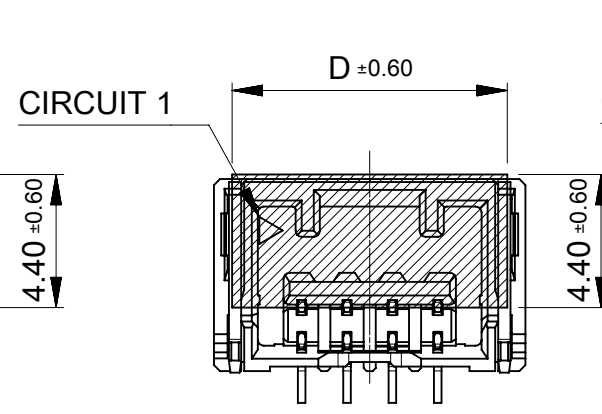
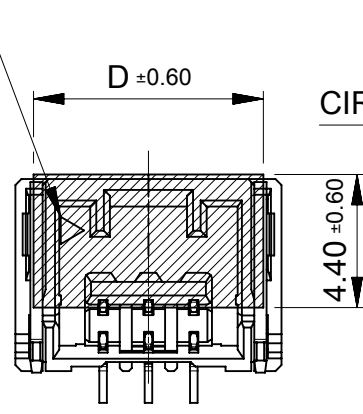
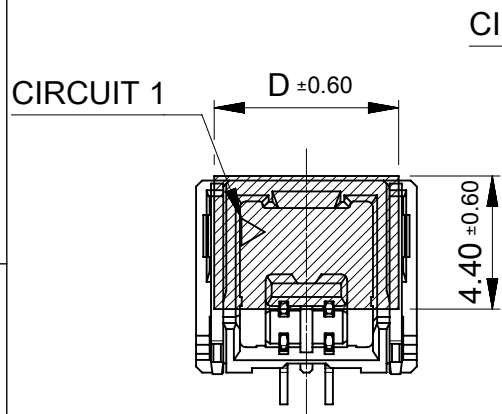
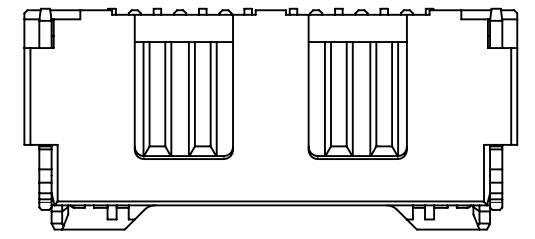
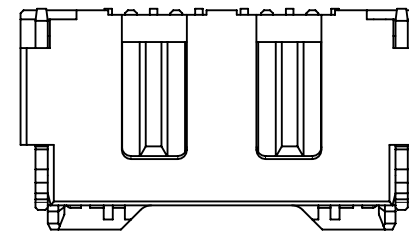
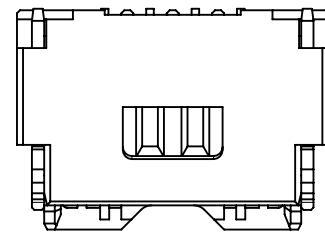
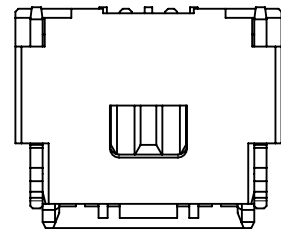
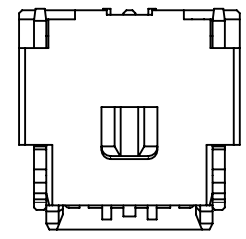


MATED CONNECTORS

嵌合相手 : 502578 シリーズ
MATE WITH : 502578 SERIES

| | | | | | |
|---|---------|-------------------|--|--|--|
| THIS DRAWING CONTAINS INFORMATION THAT IS PROPRIETARY TO MOLEX ELECTRONIC TECHNOLOGIES, LLC AND SHOULD NOT BE USED WITHOUT WRITTEN PERMISSION | | CURRENT REV DESC: | | molex | |
| DIMENSION UNITS | SCALE | | | | |
| mm | NTS | | | CLIK-MATE 1.5 SINGLE ROW SMT VT TYPE REC ASSY GOLD PLATING | |
| GENERAL TOLERANCES (UNLESS SPECIFIED) | | | | PRODUCT CUSTOMER DRAWING | |
| ANGULAR TOL | ± 3.0 ° | | | DOCUMENT NUMBER | |
| 4 PLACES | ± 0.2 | EC NO: 701023 | | 2132250000-SD | |
| 3 PLACES | ± 0.2 | DRWN: MIKEDA01 | | DOC TYPE | |
| 2 PLACES | ± 0.2 | CHK'D: SAKIYAMA | | PSD | |
| 1 PLACE | ± 0.2 | APPR: AIDA | | DOC PART | |
| 0 PLACES | ± 0.2 | INITIAL REVISION: | | 000 | |
| DRAFT WHERE APPLICABLE MUST REMAIN WITHIN DIMENSIONS | | DRWN: MIKEDA01 | | REVISION | |
| THIRD ANGLE PROJECTION | | APPR: KOMURAKAMI | | E | |
| DRAWING | | SERIES | | SHEET NUMBER | |
| A3-SIZE | | 213225 | | 2 OF 6 | |
| MATERIAL NUMBER | | CUSTOMER | | | |
| | | GENERAL | | | |

ロック形状および吸着エリア
LOCK SHAPE AND VACCUME AREA



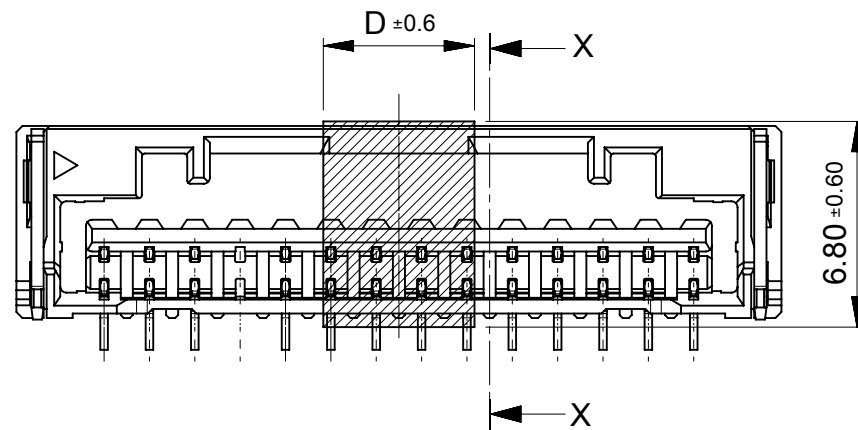
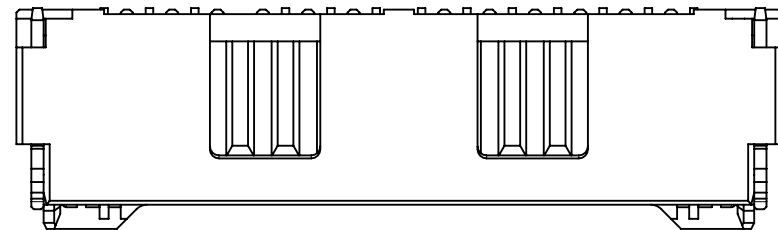
2 極
2 CKTS

3 極
3 CKTS

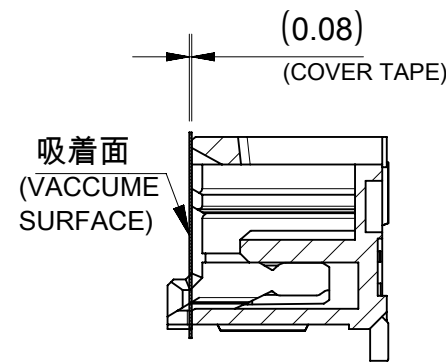
4-5 極
4-5 CKTS

6, 7 極
6, 7 CKTS

8-11 極
8-11 CKTS



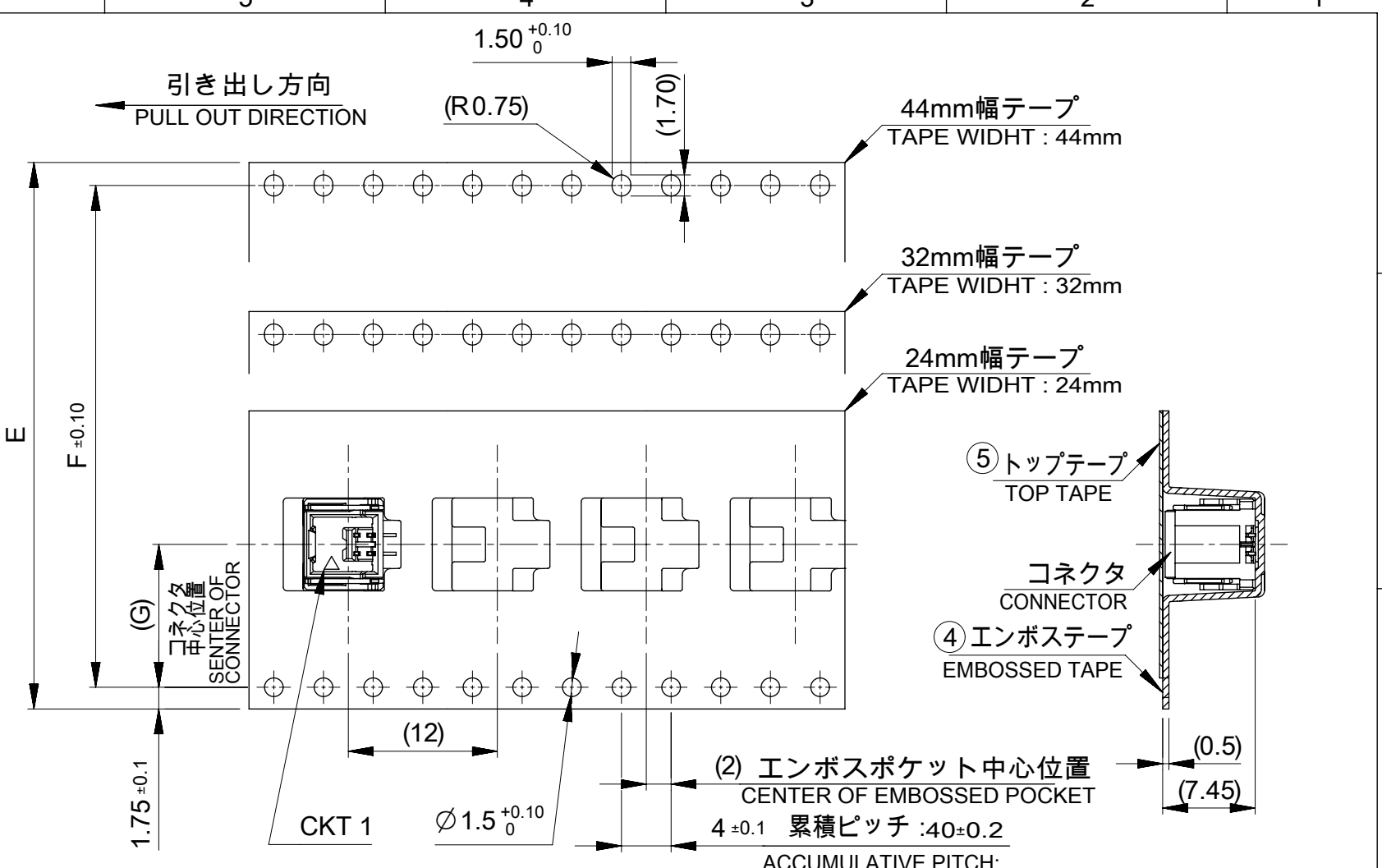
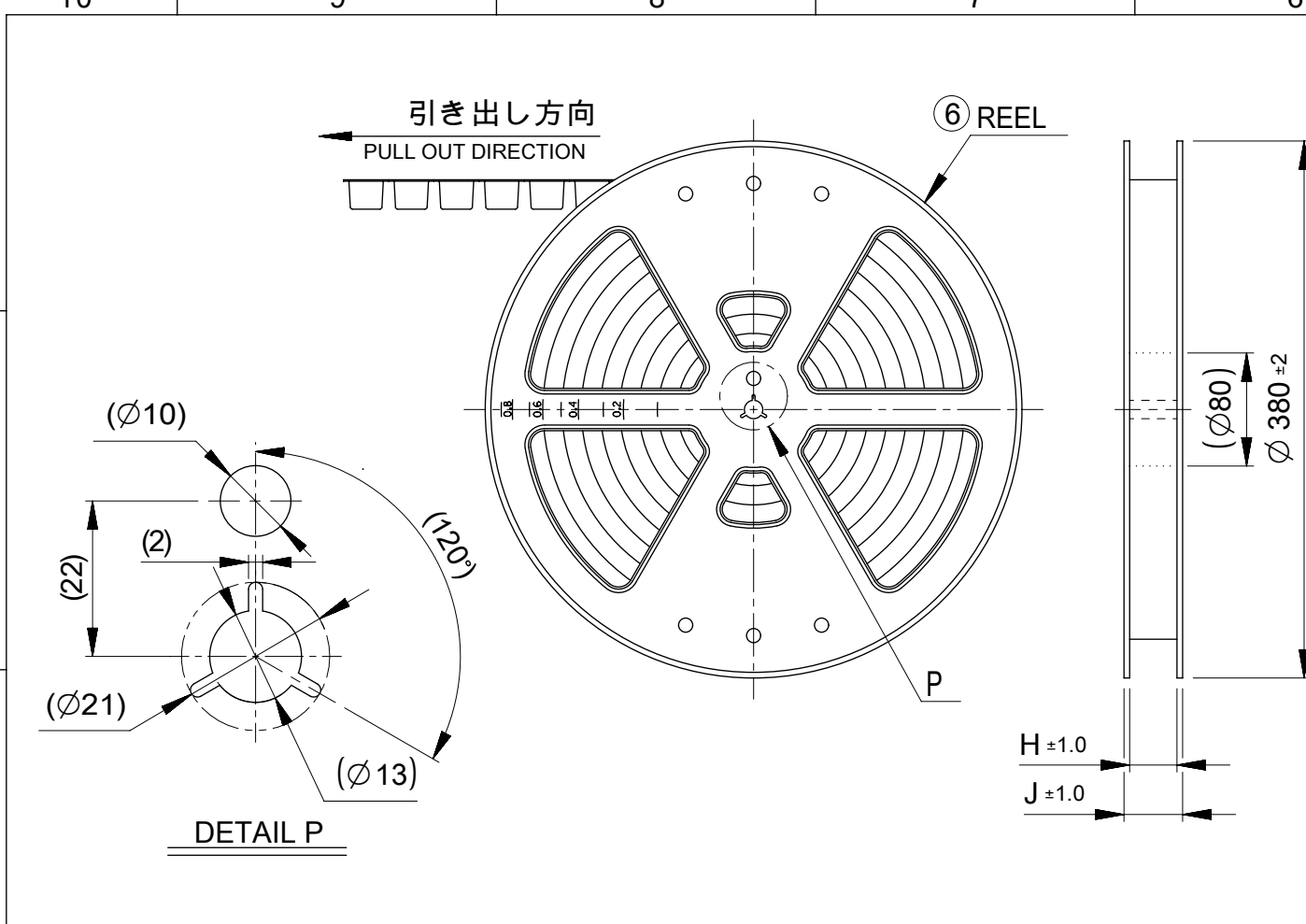
12-15 極
12-15 CKTS



SECTION X-X

| | |
|------|--------------|
| 5.0 | 15 |
| | 14 |
| | 13 |
| | 12 |
| | 11 |
| | 10 |
| | 9 |
| 13.6 | 8 |
| | 7 |
| 12.1 | 6 |
| 10.6 | 5 |
| 9.1 | 4 |
| 7.6 | 3 |
| 6.1 | 2 |
| D | 極数 CKT NO |

| | | | | | |
|---|---------|------------------------|---------|--|-----------------|
| THIS DRAWING CONTAINS INFORMATION THAT IS PROPRIETARY TO MOLEX ELECTRONIC TECHNOLOGIES, LLC AND SHOULD NOT BE USED WITHOUT WRITTEN PERMISSION | | CURRENT REV DESC: | | molex | |
| DIMENSION UNITS | SCALE | | | | |
| mm | NTS | | | CLIK-MATE 1.5 SINGLE ROW SMT VT TYPE REC ASSY GOLD PLATING | |
| GENERAL TOLERANCES (UNLESS SPECIFIED) | | | | PRODUCT CUSTOMER DRAWING | |
| ANGULAR TOL | ± 3.0 ° | | | DOCUMENT NUMBER | |
| 4 PLACES | ± 0.2 | | | 2132250000-SD | |
| 3 PLACES | ± 0.2 | | | DOC TYPE | DOC PART |
| 2 PLACES | ± 0.2 | | | PSD | 000 |
| 1 PLACE | ± 0.2 | | | REVISION | E |
| 0 PLACES | ± 0.2 | | | | |
| DRAFT WHERE APPLICABLE MUST REMAIN WITHIN DIMENSIONS | | THIRD ANGLE PROJECTION | DRAWING | SERIES | MATERIAL NUMBER |
| | | | A3-SIZE | 213225 | CUSTOMER |
| | | | | GENERAL | SHEET NUMBER |
| | | | | 3 OF 6 | |



NOTES

- 5. 梱包数量 : 900個/リール
NUMBER OF CONNECTORS : 900 PIECES/REEL
 - 6. リードテープ長さ
LEAD TAPE LENGTH
-
- 7. トップテープの剥離強度はJIS C0806-3に準拠。
TOP TAPE PEELING FORCE IS DEFINED BY JIS C0806-3.
 - 8. 本製品は乾燥剤入り、ハイバリア梱包である。
THIS PRODUCT IS DELIVERD IN HIGH BARRIER PACKAGE WITH DESICCANT.

| | | | | | |
|---|---|---|---|----------------------------|----------------|
| | | | | | 15 |
| | | | | | 14 |
| | | | | | 13 |
| | | | | | 12 |
| | | | | | 11 |
| | | | | | 10 |
| | | | | | 9 |
| | | | | | 8 |
| | | | | | 7 |
| | | | | | 6 |
| | | | | | 5 |
| | | | | | 4 |
| | | | | | 3 |
| | | | | | 2 |
| J | H | G | F | エンボステープ幅E WIDTH OF TAPE | 極数 CKT. NO. |

| 番号 NO. | 部品 PART | 材質 MATERIAL |
|-----------|---------------------------|--|
| ④ | エンボステープ EMBOSSSED TAPE | ポリスチレン(PS) POLYSTYRENE(PS) |
| ⑤ | トップテープ TOP TAPE | ポリエチレン、ポリエチレンテレフタレート POLYETHLENE(PE), POLYETHYLENE TEREPHTHALATE(PET) |
| ⑥ | リール REEL | ポリスチレン(PS) <リサイクル材を含む> POLYSTYRENE(PS) <RECYCLE MATERIAL CONTAINED> |

THIS DRAWING CONTAINS INFORMATION THAT IS PROPRIETARY TO MOLEX ELECTRONIC TECHNOLOGIES, LLC AND SHOULD NOT BE USED WITHOUT WRITTEN PERMISSION

| | | | | | | |
|--|--------------|------------------------|------------|-----------------|-----------------|--------------------------|
| DIMENSION UNITS mm | SCALE NTS | CURRENT REV DESC: | | molex | | |
| GENERAL TOLERANCES (UNLESS SPECIFIED) | | EC NO: 701023 | | | | |
| ANGULAR TOL | ± 3.0 ° | 4 PLACES | ± 0.2 | DRWN: MIKEDA01 | 2022/03/28 | PRODUCT CUSTOMER DRAWING |
| 3 PLACES | ± 0.2 | CHK'D: SAKIYAMA | 2022/05/09 | APPR: AIDA | 2022/05/09 | |
| 2 PLACES | ± 0.2 | INITIAL REVISION: | | DOCUMENT NUMBER | | |
| 1 PLACE | ± 0.2 | DRWN: MIKEDA01 | | 2019/11/07 | 2132250000-SD | |
| 0 PLACES | ± 0.2 | APPR: KOMURAKAMI | | 2019/11/20 | PSD | 000 |
| DRAFT WHERE APPLICABLE MUST REMAIN WITHIN DIMENSIONS | | THIRD ANGLE PROJECTION | DRAWING | SERIES | MATERIAL NUMBER | CUSTOMER |
| | | | A3-SIZE | 213225 | GENERAL | SHEET NUMBER 4 OF 6 |

△₃ 適用製品及び各種仕様書
 APPLICABLE PRODUCTS AND VARIOUS SPECIFICATIONS

| | | |
|----------------------------------|----------------------------|-----------------------------------|
| 梱包仕様書 PACKAGING SPECIFICATION | PART NUMBER 213225 **** | DOCUMENT NUMBER 2132259200-SPK |
|----------------------------------|----------------------------|-----------------------------------|

| | | | | |
|--|---------------|-------------------------|-------------|-------------|
| 適用嵌合相手 MATE WITH | HOUSING | TERMINAL (GOLD PLATING) | | |
| | | PLATING THK | #24-28 | #28-30 |
| 製品番号 PRODUCT NUMBER | 502578 **** | 0.1 micro-meters | 213028 1*00 | 213029 1*00 |
| | | 0.38 micro-meters | 213028 3*00 | 213029 3*00 |
| | | 0.76 micro-meters | 213028 7*00 | 213029 7*00 |
| 製品仕様書 PRODUCT SPECIFICATION | 5025780004-PS | | | |
| アプリケーション仕様書 APPLICATION SPECIFICATION | AS-502578-001 | | | |

| | | | | | | | | | | |
|---|-------|--|---------|--------|--|--|--|----------|----------|--------------|
| THIS DRAWING CONTAINS INFORMATION THAT IS PROPRIETARY TO MOLEX ELECTRONIC TECHNOLOGIES, LLC AND SHOULD NOT BE USED WITHOUT WRITTEN PERMISSION | | | | | | | | | | |
| DIMENSION UNITS | SCALE | CURRENT REV DESC: | | | | molex | | | | |
| mm | NTS | | | | | | | | | |
| GENERAL TOLERANCES (UNLESS SPECIFIED) | | EC NO: 701023 DRWN: MIKEDA01 2022/03/28 CHK'D: SAKIYAMA 2022/05/09 APPR: AIDA 2022/05/09 INITIAL REVISION: DRWN: MIKEDA01 2019/11/07 APPR: KOMURAKAMI 2019/11/20 | | | | CLIK-MATE 1.5 SINGLE ROW SMT VT TYPE REC ASSY GOLD PLATING | | | | |
| ANGULAR TOL ± 3.0 ° | | | | | | PRODUCT CUSTOMER DRAWING | | | | |
| 4 PLACES ± 0.2 | | | | | | DOCUMENT NUMBER | | DOC TYPE | DOC PART | REVISION |
| 3 PLACES ± 0.2 | | | | | | 2132250000-SD | | PSD | 000 | E |
| 2 PLACES ± 0.2 | | | | | | MATERIAL NUMBER | | CUSTOMER | | SHEET NUMBER |
| 1 PLACE ± 0.2 | | | | | | 213225 | | GENERAL | | 5 OF 6 |
| 0 PLACES ± 0.2 | | DRAWING | | SERIES | | | | | | |
| DRAFT WHERE APPLICABLE MUST REMAIN WITHIN DIMENSIONS | | THIRD ANGLE PROJECTION | A3-SIZE | | | | | | | |

| | | | | |
|-----------------|----|--------------|------------|----------|
| DOCUMENT STATUS | P1 | RELEASE DATE | 2022/05/09 | 03:15:35 |
|-----------------|----|--------------|------------|----------|

4 製品一覧 PRODUCT LIST

| 黒 BLACK | ナチュラル NATURAL | HOUSING COLOR | |
|------------------|---------------|---------------|---|
| 213225 1511 | 213225 1510 | 15 | 213225 **1* (GOLD PLATING THICKNESS: 0.1 micro-meters MIN) |
| 213225 1411 | 213225 1410 | 14 | |
| 213225 1311 | 213225 1310 | 13 | |
| 213225 1211 | 213225 1210 | 12 | |
| 213225 1111 | 213225 1110 | 11 | |
| 213225 1011 | 213225 1010 | 10 | |
| 213225 0911 | 213225 0910 | 9 | |
| 213225 0811 | 213225 0810 | 8 | |
| 213225 0711 | 213225 0710 | 7 | |
| 213225 0611 | 213225 0610 | 6 | |
| 213225 0511 | 213225 0510 | 5 | |
| 213225 0411 | 213225 0410 | 4 | |
| 213225 0311 | 213225 0310 | 3 | |
| 213225 0211 | 213225 0210 | 2 | |
| オーダー番号 ORDER No. | | 極数 CKT. | |

| 黒 BLACK | ナチュラル NATURAL | HOUSING COLOR | |
|------------------|---------------|---------------|--|
| 213225 1531 | 213225 1530 | 15 | 213225 **3* (GOLD PLATING THICKNESS: 0.38 micro-meters MIN) |
| 213225 1431 | 213225 1430 | 14 | |
| 213225 1331 | 213225 1330 | 13 | |
| 213225 1231 | 213225 1230 | 12 | |
| 213225 1131 | 213225 1130 | 11 | |
| 213225 1031 | 213225 1030 | 10 | |
| 213225 0931 | 213225 0930 | 9 | |
| 213225 0831 | 213225 0830 | 8 | |
| 213225 0731 | 213225 0730 | 7 | |
| 213225 0631 | 213225 0630 | 6 | |
| 213225 0531 | 213225 0530 | 5 | |
| 213225 0431 | 213225 0430 | 4 | |
| 213225 0331 | 213225 0330 | 3 | |
| 213225 0231 | 213225 0230 | 2 | |
| オーダー番号 ORDER No. | | 極数 CKT. | |

| 黒 BLACK | ナチュラル NATURAL | HOUSING COLOR | |
|------------------|---------------|---------------|--|
| 213225 1571 | 213225 1570 | 15 | 213225 **7* (GOLD PLATING THICKNESS: 0.76 micro-meters MIN) |
| 213225 1471 | 213225 1470 | 14 | |
| 213225 1371 | 213225 1370 | 13 | |
| 213225 1271 | 213225 1270 | 12 | |
| 213225 1171 | 213225 1170 | 11 | |
| 213225 1071 | 213225 1070 | 10 | |
| 213225 0971 | 213225 0970 | 9 | |
| 213225 0871 | 213225 0870 | 8 | |
| 213225 0771 | 213225 0770 | 7 | |
| 213225 0671 | 213225 0670 | 6 | |
| 213225 0571 | 213225 0570 | 5 | |
| 213225 0471 | 213225 0470 | 4 | |
| 213225 0371 | 213225 0370 | 3 | |
| 213225 0271 | 213225 0270 | 2 | |
| オーダー番号 ORDER No. | | 極数 CKT. | |

| | | | | | | | | | |
|---|--|------------------------|--|-----------------------------|--|--------|--|--|--|
| THIS DRAWING CONTAINS INFORMATION THAT IS PROPRIETARY TO MOLEX ELECTRONIC TECHNOLOGIES, LLC AND SHOULD NOT BE USED WITHOUT WRITTEN PERMISSION | | | | | | | | | |
| DIMENSION UNITS | | SCALE | | CURRENT REV DESC: | | | | molex | |
| mm | | NTS | | | | | | | |
| GENERAL TOLERANCES (UNLESS SPECIFIED) | | | | EC NO: 701023 | | | | CLIK-MATE 1.5 SINGLE ROW SMT VT TYPE REC ASSY GOLD PLATING | |
| ANGULAR TOL ± 3.0 ° | | | | DRWN: MIKEDA01 2022/03/28 | | | | | |
| 4 PLACES ± 0.2 | | | | CHK'D: SAKIYAMA 2022/05/09 | | | | PRODUCT CUSTOMER DRAWING | |
| 3 PLACES ± 0.2 | | | | APPR: AIDA 2022/05/09 | | | | | |
| 2 PLACES ± 0.2 | | | | INITIAL REVISION: | | | | DOCUMENT NUMBER | |
| 1 PLACE ± 0.2 | | | | DRWN: MIKEDA01 2019/11/07 | | | | 2132250000-SD | |
| 0 PLACES ± 0.2 | | | | APPR: KOMURAKAMI 2019/11/20 | | | | PSD 000 E | |
| DRAFT WHERE APPLICABLE MUST REMAIN WITHIN DIMENSIONS | | THIRD ANGLE PROJECTION | | DRAWING | | SERIES | | SHEET NUMBER | |
| | | | | A3-SIZE | | 213225 | | 6 OF 6 | |