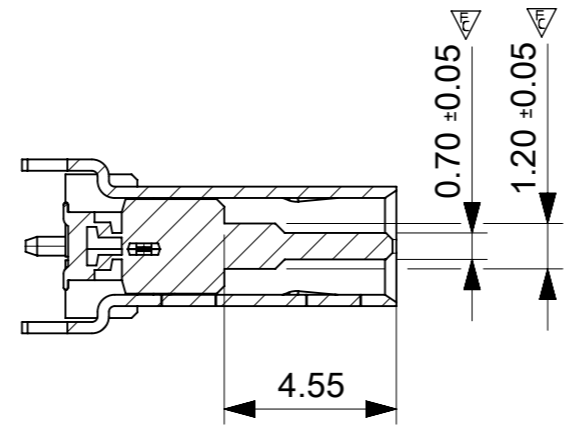
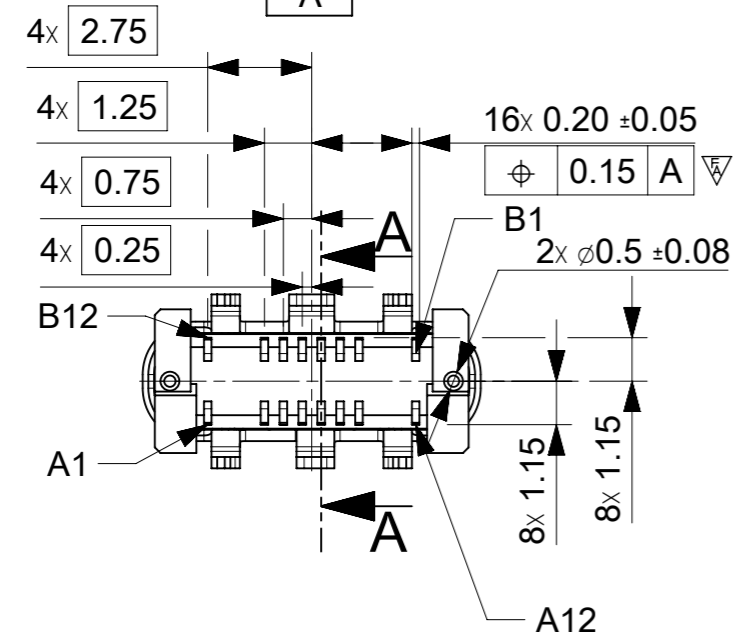
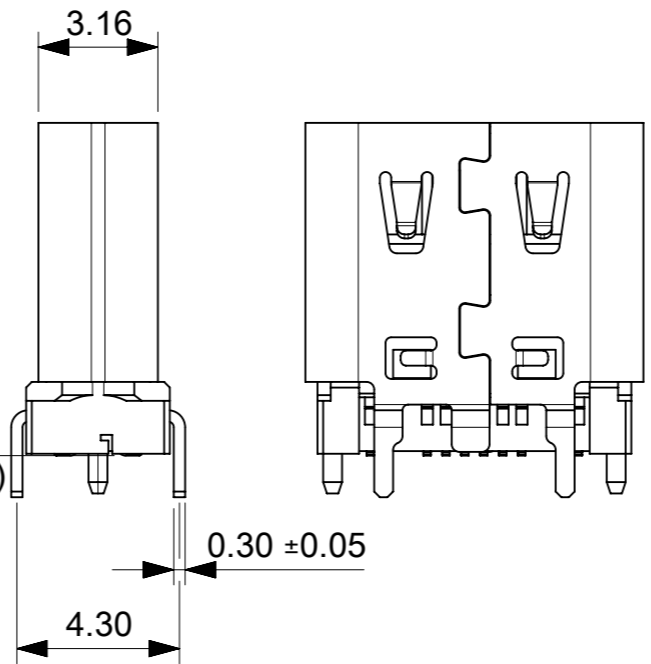
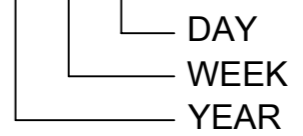


0.10
(ALL CONTACTS)



SECTION A-A

- NOTES:
- MATERIAL SPECIFICATION:
 - HOUSING: HIGH TEMPERATURE RESISTANT PLASTIC, UL94 V-0.
 - CAP: HIGH TEMPERATURE RESISTANT PLASTIC, UL94 V-0.
 - CONTACTS: COPPER ALLOY
 - MIDDLE CLIP: STAINLESS STEEL
 - SHELL: STAINLESS STEEL
 - PLATING:
 - TERMINAL: PLATING NICKEL 50u"~150u" OVER ALL. Au PLATING 1u" ON CONTACT AREA AND SOLDERING AREA OVER NICKEL.
 - SHELL: PLATING NICKEL 50u"~200u" ON SOLDERING AREA.
 - MIDDLE CLIP : CLEANING
 - PRODUCT SPEC: PS-216990-001
 - PACKAGE SPEC: PDD_2193200001PK
 - PRODUCT COMPLIANCE TO ROHS DIRECTIVE 2011/65/EU
 - PLEASE CONTACT YOUR SALES REPRESENTATIVE IF INTENDED FOR AUTOMOTIVE
 - DATE CODE: Y W W D



FUNCTIONAL SYMBOLS	THIS DRAWING CONTAINS INFORMATION THAT IS PROPRIETARY TO MOLEX ELECTRONIC TECHNOLOGIES, LLC AND SHOULD NOT BE USED WITHOUT WRITTEN PERMISSION		CURRENT REV DESC: FIRST RELEASED		molex		
	THIS DRAWING CONTAINS INFORMATION THAT IS PROPRIETARY TO MOLEX ELECTRONIC TECHNOLOGIES, LLC AND SHOULD NOT BE USED WITHOUT WRITTEN PERMISSION	SCALE					
▽A = 2	mm	5:1	EC NO: 733316		PRODUCT CUSTOMER DRAWING		
▽E = 6	GENERAL TOLERANCES (UNLESS SPECIFIED)		DRWN: DARIEY 2022/12/19				
▽V = 1	ANGULAR TOL ± 3.0°		CHK'D: RL109 2023/01/30		DOCUMENT NUMBER: 2193200001		
DIVISIONAL SYMBOLS		4 PLACES ±	APPR: RL109 2023/01/30				
		3 PLACES ±	INITIAL REVISION:		2193200001		
		2 PLACES ± 0.25	DRWN: DARIEY 2022/12/19				
		1 PLACE ±	APPR: RL109 2023/01/30		MATERIAL NUMBER: 2193200001		
		0 PLACES ±					
DRAFT WHERE APPLICABLE MUST REMAIN WITHIN DIMENSIONS		THIRD ANGLE PROJECTION	DRAWING: A3-SIZE	SERIES: 219320	SHEET NUMBER: 1 OF 2		

