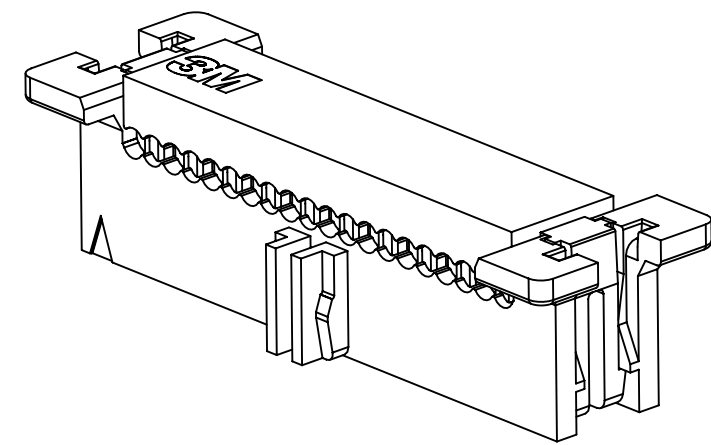
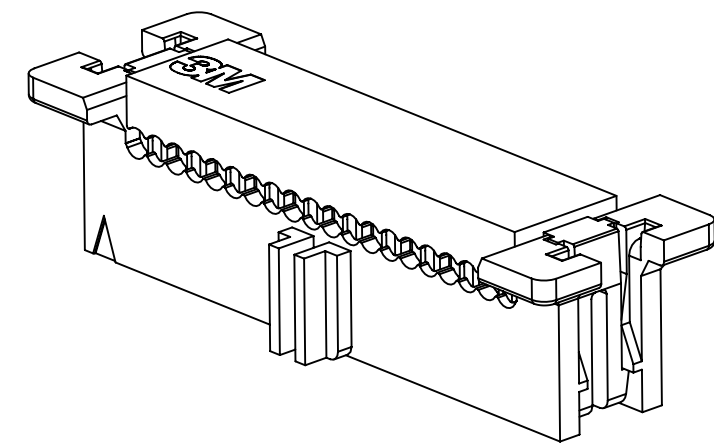


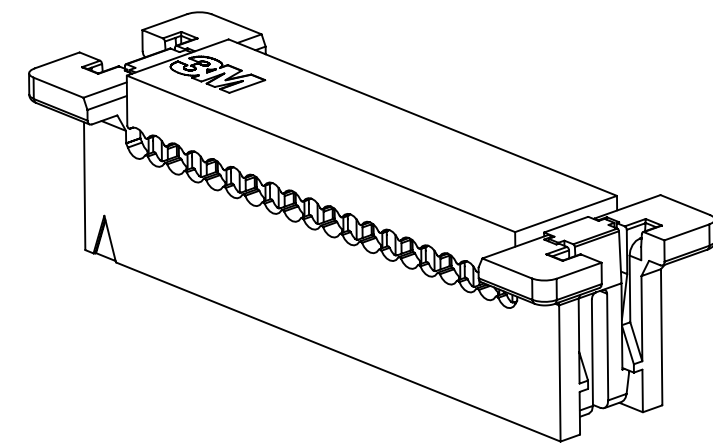
3M™ RIBBON CABLE WIREMOUNT SOCKET ASSEMBLY, 451 SERIES
 .050" X .050" (1.27MM X 1.27MM) FOR .025" PITCH CABLE



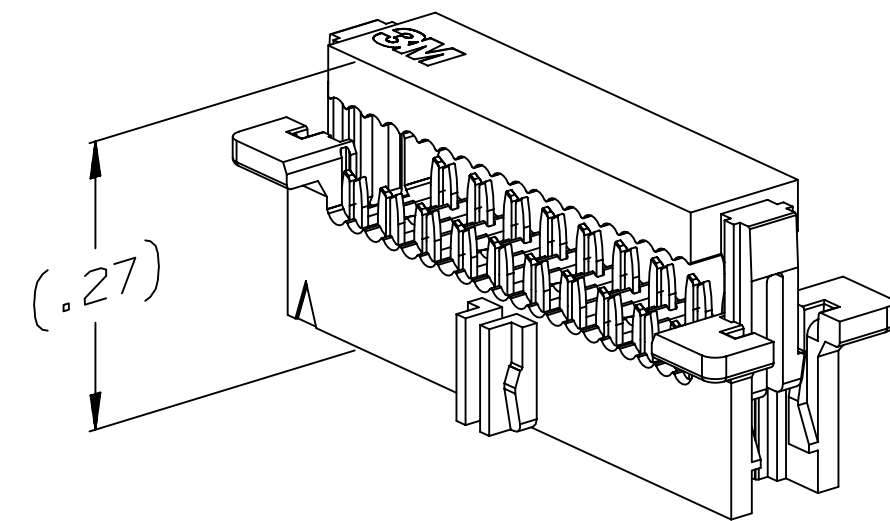
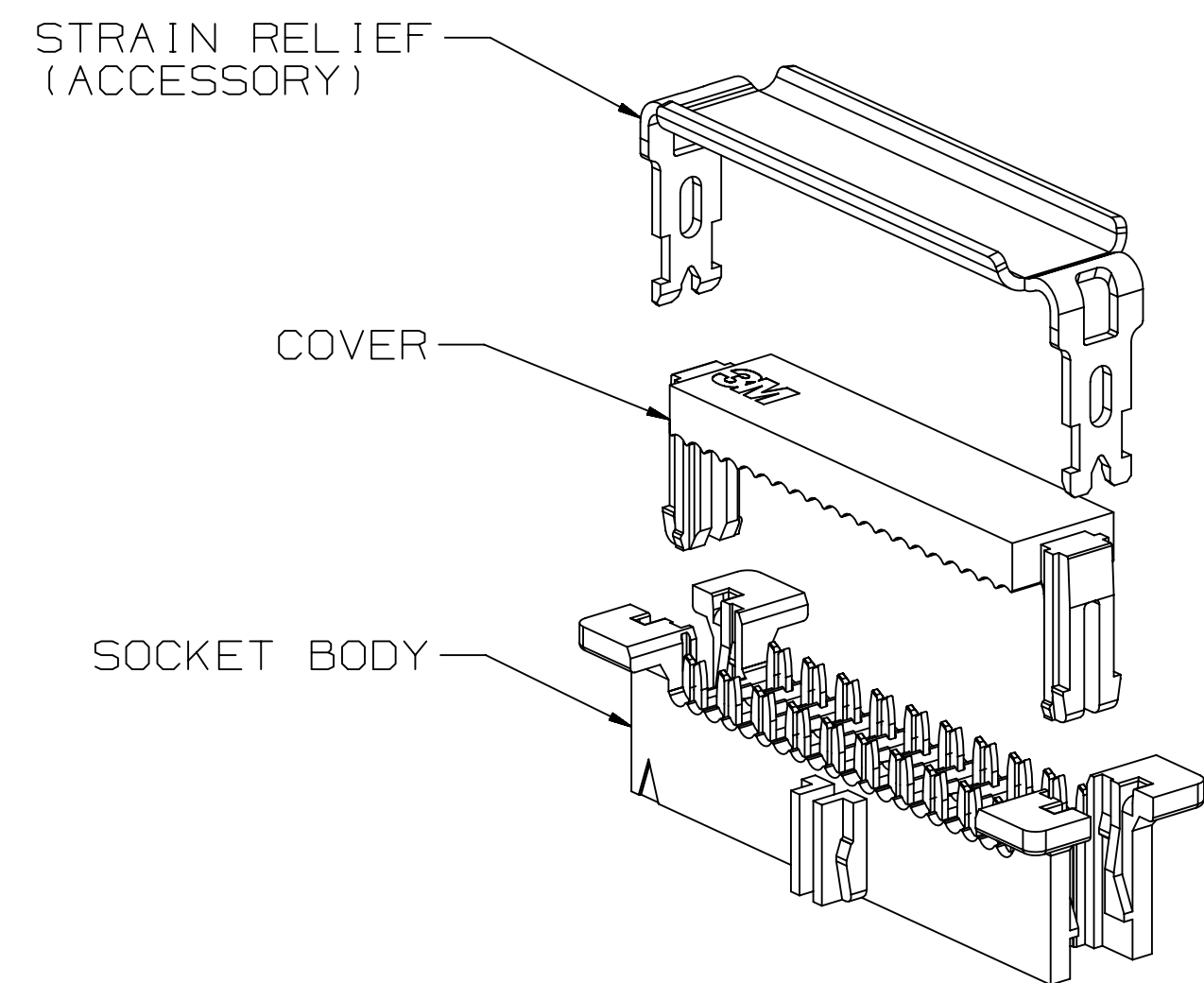
CENTER POLARIZATION AND FRICTION LATCH



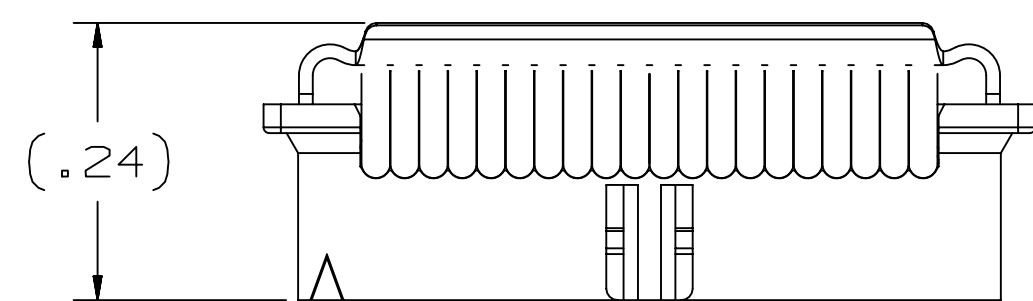
CENTER POLARIZATION AND NO FRICTION LATCH



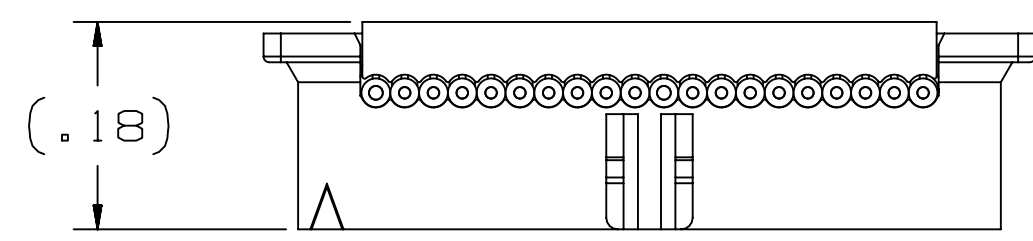
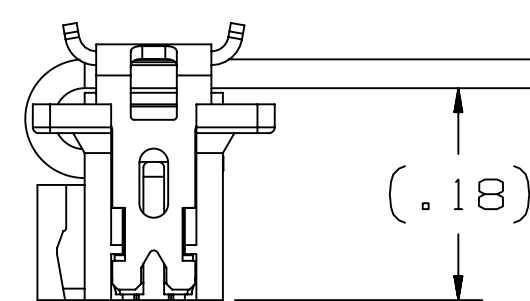
NO CENTER POLARIZATION AND NO FRICTION LATCH



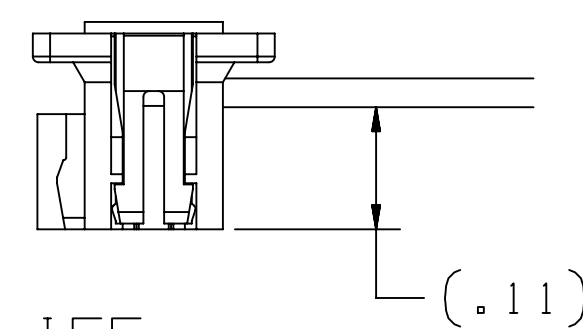
PRE-POSITIONED COVER



WITH OPTIONAL STRAIN RELIEF



NO STRAIN RELIEF



TERMINATED CONNECTOR

PERFORMANCE:	
CURRENT RATING:	1.0A, UL 04P-50P, NOT FOR CURRENT INTERRUPTION 1.0A, CUL 04P-30P, NOT FOR CURRENT INTERRUPTION 0.75A, CUL 32P-50P, NOT FOR CURRENT INTERRUPTION 0.75A, ALL LINES ENERGIZED, 30°C TEMP RISE PER EIA 364-70 1.50A, 6 LINES ENERGIZED, 30°C TEMP RISE PER EIA 364-70
UL & CUL VOLTAGE RATING:	125V _{AC}
INSULATION RESISTANCE:	> 1 x 10 ⁹ Ohms AT 500 VDC
WITHSTANDING VOLTAGE:	1250V _{DC} AT SEA LEVEL
OPERATING TEMPERATURE:	-65°C TO +125°C
UL & CUL OPERATING TEMPERATURE:	+130°C

- NOTES
- MATERIAL:
BODY: PBT, UL94V-0
COVER: PBT, UL94V-0
STRAIN RELIEF: STAINLESS STEEL
CONTACTS: BeCu ALLOY.
 - PLATING:
50-150μ" NICKEL UNDERPLATE
30 = 30μ" MIN. GOLD ON WIPING AREA
00 = FLASH GOLD ON WIPING AREA.
 - RIBBON CABLE COMPATIBILITY:
GENERAL:
0.025" PITCH, 30 AWG, SOLID OR STRANDED.
RECOMMENDED CABLE: SEE TABLE 2 FOR CABLE COMPATIBILITY.
 - MATING COMPATIBILITY:
3M 1.27mm (0.050"), SERIES 452 HEADER WITH LATCH/EJECT OPTION, TECH SHEETS TS-2437 AND TS-2396
 - REGULATORY INFORMATION:
VISIT 3M.com/regs
 - IN THE EVENT OF CONFLICT BETWEEN THIS DATA AND THAT CONTAINED IN THE PRODUCT SPECIFICATION, THE PRODUCT SPECIFICATION TAKES PRECEDENT.
 - REFERENCE RELATED DOCUMENTS:
PRODUCT SPECIFICATION: 3M DOC. ID# 78-5102-0091-4.
 - TOOLING AND INSTALLATION INSTRUCTIONS:
3M DOC. ID# 78-9101-8937-8.
 - OTHER PIN COUNTS AVAILABLE UPON REQUEST. CONTACT 3M.
 - PACKAGING:
SOCKET: TRAY
COVER: BAG

ORDERING INFORMATION FOR RAPID INSTALLATION ON RIBBON CABLE APPLICATIONS

451 XX - 0 X 0 0 XX

SERIES

NUMBER OF POSITIONS SEE TABLE 1

PLATING
00 = AU FLASH
30 = 30μ" GOLD

OPTIONAL FEATURES
0 = NONE SPECIFIED

PACKAGING
0 = STANDARD (TRAYS)

CENTER POLARIZATION / FRICTION LATCH
 0 = NO CENTER POLARIZATION (CP) (ALL POS.)
 1 = CP NO FRICTION LATCH (08 AND HIGHER POS.)
 2 = CP WITH FRICTION LATCH (08 AND HIGHER POS.)

NOTE:
FRICTION LATCH (OPTION 2) IS NOT SUITABLE FOR HEADER WITH LATCH EJECT OPTION

ACCESSORY: STRAIN RELIEF
 3448-451XX

NUMBER OF POSITIONS

APPLICATION TOOLING:
 ALUMINUM: 3443-82-XX

NUMBER OF POSITIONS

3M ELECTRONICS MATERIALS SOLUTIONS DIVISION
 INTERCONNECT SOLUTIONS
<http://www.3M.com/interconnect>
 3M IS A TRADEMARK OF 3M COMPANY.
 FOR TECHNICAL, SALES OR ORDERING INFORMATION CALL 800-225-5373

3M
 UL FILE NO: E68080

78-5100-2396-9 78-5100-2437-1	DESIGN REFERENCE	NEXT ASSEMBLY	REV	ECO	ISSUE DATE AND DESCRIPTION	DRFT	CHKD
			DRFT	ARM	FEB 11, 2011	MFG	DATE
			CHKD			APPR	DATE
						SAN	FEB 11, 2011
DIVISION		DIVISION CODE		EMSD			
DO NOT SCALE DRAWING		SCALE		TOLERANCES EXCEPT AS NOTED			
		6 1		INCHES -.0 ± .1 .00 ± .02 .000 ± .010 .0000 ± .005			
THIRD ANGLE PROJECTION				MILLIMETERS 0 ± .0 ± .00 ± .000 ±			
INTERPRET PER ASME Y14.5 - 2018				ALL SURFACES UNLESS OTHERWISE SPECIFIED			
MAX SURFACE ROUGHNESS				MARKED ONLY			
				ANGLES			
CAGE NUMBER		SIZE		DRAWING NO.		REV.	
D		78-5100-2436-3		K		SHT 1 OF 3	
MODEL		451		DET		YES NO	

3M Center St. Paul, MN 55144
 © 3M COPYRIGHT 2022
 This document and the information it contains are 3M property and may not be reproduced or further distributed without 3M permission, or used or disclosed other than for 3M authorized purposes. All rights reserved.

TITLE
 RIBBON CABLE WMT SOCKET, .05 X .05 PITCH, 451 SERIES

78-5100-2436-3
DRAWING NUMBER

A

D

C

B

A

1

1

8

7

6

5

4

3

2

1

8

7

6

5

4

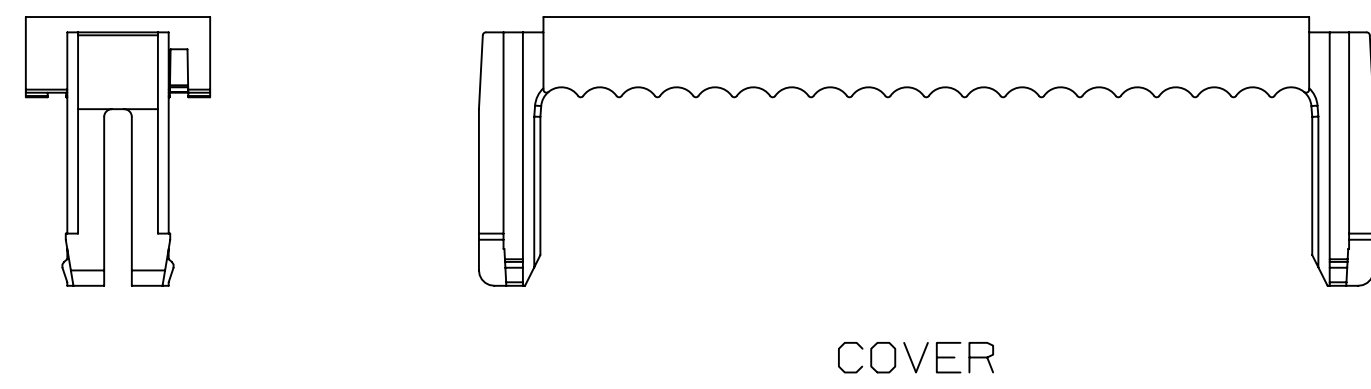
3

2

1

3M™ RIBBON CABLE WIREMOUNT SOCKET ASSEMBLY, 451 SERIES
 .050" X .050" (1.27MM X 1.27MM) FOR .025" PITCH CABLE

TABLE 1			
No. Positions	Dim "A"	Dim "B"	Dim "C"
4	.050	.210	.270
6	.100	.260	.320
8	.150	.310	.370
10	.200	.360	.420
12	.250	.410	.470
14	.300	.460	.520
16	.350	.510	.570
20	.450	.610	.670
26	.600	.760	.820
30	.700	.860	.920
40	.950	1.110	1.170
50	1.200	1.360	1.420



COVER

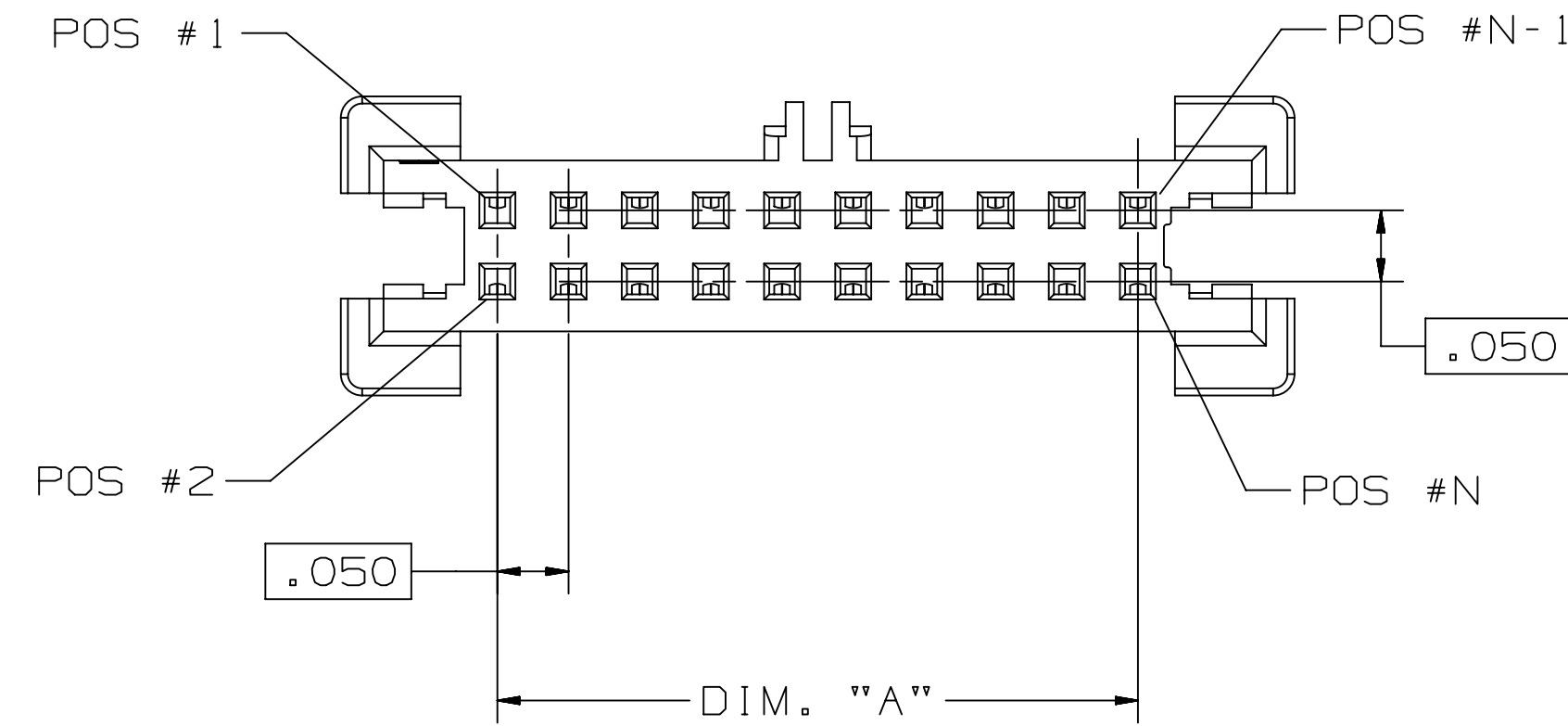
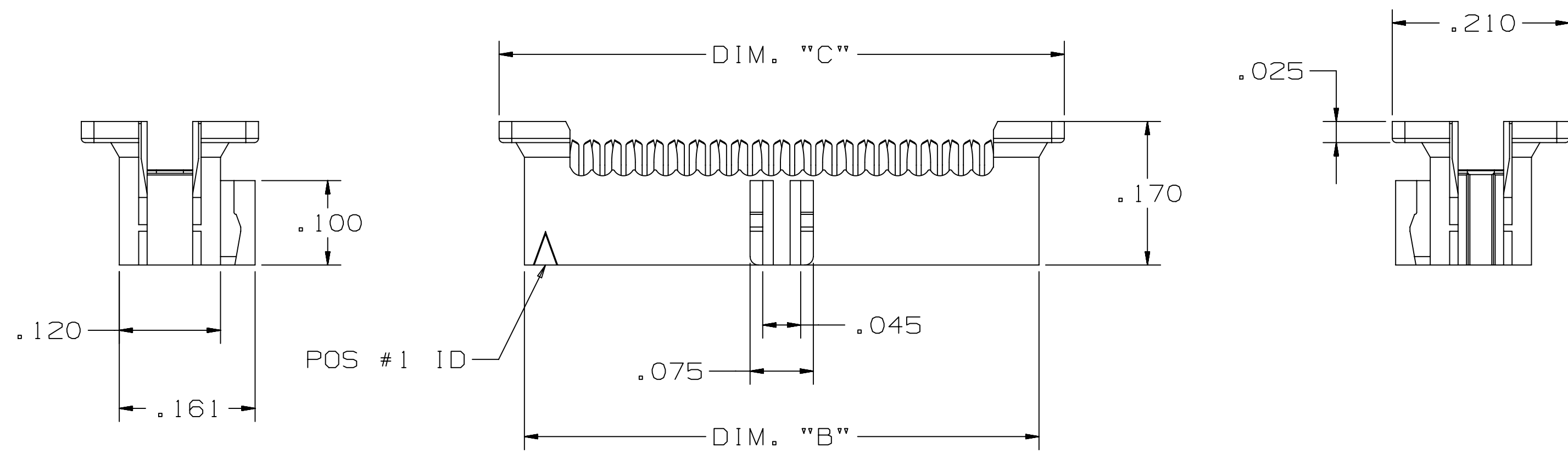
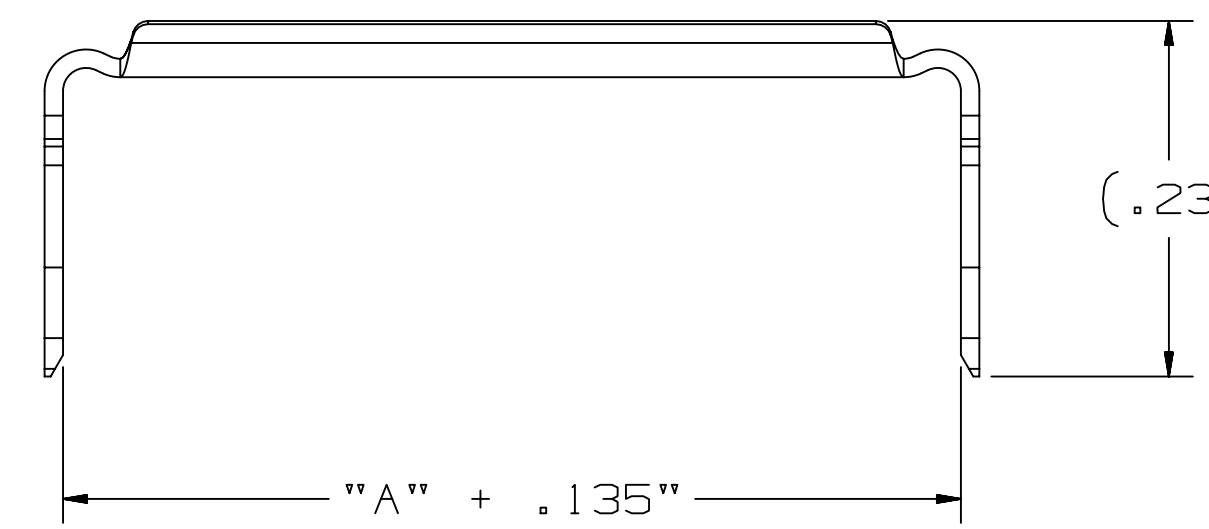
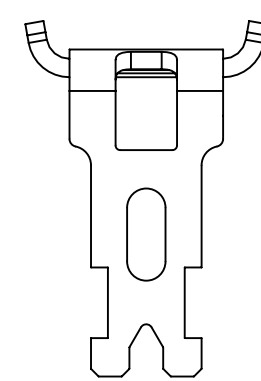


TABLE 2	
LINE	COMPATIBLE RIBBON CABLE
1	3M™ ROUND CONDUCTOR FLAT CABLE, 3754 SERIES: PVC, ROUND STRANDED CONDUCTOR
2	3M™ ROUND CONDUCTOR FLAT CABLE, 3447 SERIES: PVC, ROUND SOLID CONDUCTOR
3	3M™ ROUND CONDUCTOR FLAT CABLE, 3756 SERIES: TPE, ROUND STRANDED CONDUCTOR
4	3M™ ROUND CONDUCTOR FLAT CABLE, 3749 SERIES: TPE, ROUND SOLID CONDUCTOR
5	3M™ ROUND CONDUCTOR FLAT CABLE, 3609 SERIES: FEP, ROUND STRANDED CONDUCTOR
6	3M™ ROUND CONDUCTOR FLAT CABLE, 3604 SERIES: FEP, ROUND SOLID CONDUCTOR
7	3M™ ROUND CONDUCTOR FLAT CABLE, HF447 SERIES: PO, HALOGEN FREE, ROUND SOLID CONDUCTOR
8	3M™ ROUND CONDUCTOR FLAT CONTROLLED IMPEDANCE CABLE, 7700 SERIES: PO, SHIELDED, ROUND SOLID CONDUCTOR



ACCESSORY - STRAIN RELIEF
 PART NUMBER 3448-451XX

REV	ECO	ISSUE DATE AND DESCRIPTION	DRFT	CHKD
K	106347	AUG 19, 2022 ADD TABLE 2 FOR CABLE	JNC	SAN
J	105041	MAY 26, 2022 REVISE PERFORMANCE SECTION	JNC	SAN
H	100200	OCT 19, 2021 ADD POS 26, 40, 50	JNC	SAN
G	92270	AUG 19, 2020 ADD NOTES AND VIEWS	JNC	SAN
F	56988	SEP 24, 2014 REVISE PERFORMANCE CHART	JNC	SN
E	54514	MAY 07, 2014 ADD UL LOGO	SJS	SAN
D	51884	JAN 08, 2014 ADD DESIGN REF, UPDATE TITLE, ADD TS REF	SJS	SAN
C	50290	OCT 08, 2013 REVISE NOTES 1, 3, 8 & OPERATING TEMP.	JNC	SN
B	48635	JUL 12, 2013 MATCH TEXT FONTS & ADD NOTE 10	JNC	SN
A	46797	MAR 25, 2013 PRODUCTION RELEASE	JNC	SAN

78-5100-2396-9
 78-5100-2437-1
 DESIGN REFERENCE NEXT ASSEMBLY

DRFT	ARM	DATE	FEB 11, 2011	MFG	DATE
CHKD		DATE	FEB 11, 2011	APPR	DATE
				SAN	FEB 11, 2011

DIVISION EMSD

DO NOT SCALE DRAWING

SCALE 4/1

TOLERANCES EXCEPT AS NOTED

INCHES
 .0 ± .1
 .00 ± .02
 .000 ± .010
 .0000 ± .005

THIRD ANGLE PROJECTION

INTERPRET PER ASME Y14.5 - 2018

MAX SURFACE ROUGHNESS

ALL SURFACES

MARKED ONLY

ANGLES

3M Center St. Paul, MN 55144

© 3M COPYRIGHT 2022
 This document and the information it contains are 3M property and may not be reproduced or further distributed without 3M permission, or used or disclosed other than for 3M authorized purposes. All rights reserved.

TITLE
 RIBBON CABLE WMT SOCKET, .05 X .05 PITCH, 451 SERIES

CAGE NUMBER D78-5100-2436-3

SIZE

DRAWING NO.

REV. K

MODEL 451

DET

YES NO

SHT 2 OF 3

3M ELECTRONICS MATERIALS SOLUTIONS DIVISION
 INTERCONNECT SOLUTIONS
<http://www.3M.com/interconnect>
 3M IS A TRADEMARK OF 3M COMPANY.
 FOR TECHNICAL, SALES OR ORDERING
 INFORMATION CALL 800-225-5373

