

# MATERIALS & SPECIFICATIONS

PART NO.	A25000-008	REV	ECO	DATE	APP
		E	100283	02-12-14	TLM

## INSULATOR:

POLYPHENYLENE SULFIDE (PPS)  
PER MIL-M-24519, TYPE GST  
40F.

## CONTACT:

COPPER ALLOY PER MIL-DTL-  
83513, GOLD PLATED PER ASTM  
B488, (HARD GOLD) TYPE II  
CODE C CLASS 1.27.

## TERMINATION:

26 AWG (7-34) TYPE E, PER  
NEMA HP3, COLOR CODED PER  
TABLE.

## LATCH:

BERYLLIUM COPPER PER ASTM  
B194 NICKEL PLATE PER SAE-  
AMS-2404.

## CURRENT CAPACITY:

3 AMP MAX.

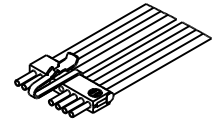
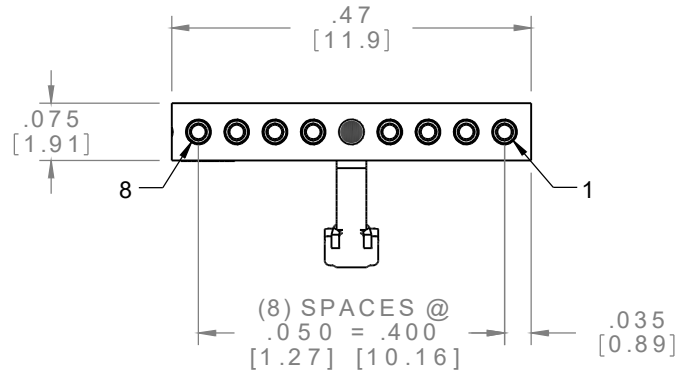
## CONTACT RESISTANCE:

26 MILLIOHMS (65mV) MAX @  
2.5 AMPS.

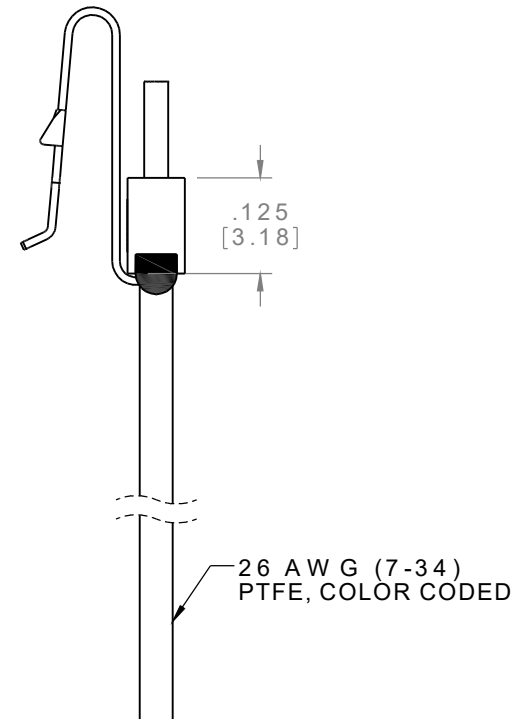
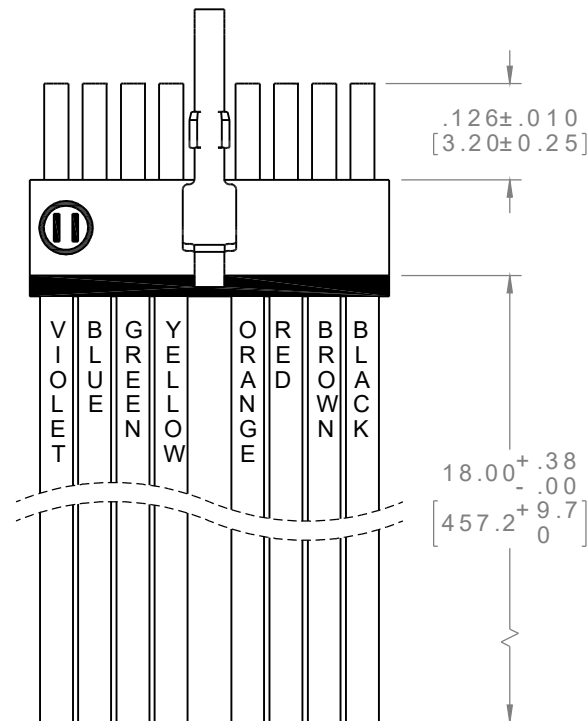
## PERFORMANCE:

PRODUCT FAMILY TESTED TO  
AND PASSED THE PERFORMANCE  
SPECIFICATIONS OF TABLE VII  
OF MIL-DTL-83513.

SOCKET #	COLOR
1	BLACK
2	BROWN
3	RED
4	ORANGE
5	YELLOW
6	GREEN
7	BLUE
8	VIOLET



ACTUAL SIZE  
EXCLUDING  
WIRE LENGTH



## NOTE:

DIMENSIONS IN [ ] ARE IN  
MILLIMETERS UNLESS  
OTHERWISE NOTED AND ARE  
FOR REFERENCE ONLY

SSB SLDW	THIRD ANGLE
	-TOLERANCES-
	UNLESS OTHERWISE NOTED
	DIMENSIONS IN INCHES
2	PL DEC ± .01
3	PL DEC ± .005
4	PL DEC ± .0005
ANGLES ± 1°	

THIS DRAWING CONTAINS CONFIDENTIAL AND PROPRIETARY INFORMATION WHICH IS THE PROPERTY OF OMNETICS CONNECTOR CORP. THIS DOCUMENT MAY NOT, IN WHOLE OR IN PART, BE DUPLICATED, OR DISCLOSED FOR ANY PURPOSE, WITHOUT WRITTEN PERMISSION FROM OMNETICS CONNECTOR CORP.	
DFTM. PER	DATE 08-28-02
CHK'D.	DATE
APP'D.	DATE
TITLE: (8) SOCKET FEMALE SINGLE ROW CONNECTOR W/ LATCH	

**OMNETICS**  
CONNECTOR CORPORATION  
7260 COMMERCE CIRCLE EAST  
MINNEAPOLIS, MN 55432  
WWW.OMNETICS.COM

CAGE CODE 61873	
DWG NO. A25000-008	
SHEET 1 OF 1	REV E
SCALE: 4:1	