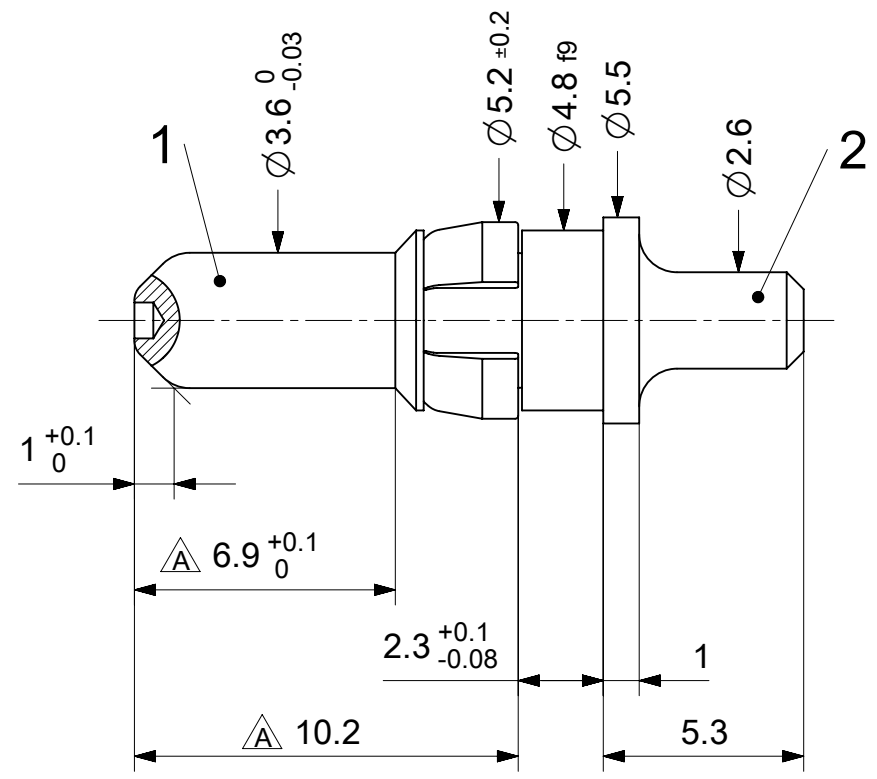


2:1



RoHS compliant
by exemption

A Dimension is not according DIN 41626

1731121219	FMP079P104	104
Material Number	FCT Part Number	Material + Finish See extra sheet

UNLESS OTHERWISE SPECIFIED DIMENSIONS FOR REFERENCE ONLY				REPLACEMENT FOR DOCUMENT NUMBER: FMP079P			
FUNCTIONAL SYMBOLS	THIS DRAWING CONTAINS INFORMATION THAT IS PROPRIETARY TO MOLEX ELECTRONIC TECHNOLOGIES, LLC AND SHOULD NOT BE USED WITHOUT WRITTEN PERMISSION						
	DIMENSION UNITS	SCALE	CURRENT REV DESC:				
$\frac{F}{A} = 0$	mm	5:1	molex FCT 20A HIGH POWER CONTACT FOR EN 60603-2 PRODUCT CUSTOMER DRAWING				
$\frac{F}{E} = 0$	GENERAL TOLERANCES (UNLESS SPECIFIED)						
$\frac{F}{P} = 0$	ANGULAR TOL	± °					
DIVISIONAL SYMBOLS	4 PLACES	±					
	3 PLACES	±					
	2 PLACES	±					
	1 PLACE	±					
0 PLACES	±	EC NO: 686699 DRWN: VLOKESHA 2021/06/10 CHK'D: MTEUBEL 2021/12/01 APPR: MTEUBEL 2021/12/01					
DRAFT WHERE APPLICABLE MUST REMAIN WITHIN DIMENSIONS		FIRST ANGLE PROJECTION	DRAWING	SERIES	MATERIAL NUMBER	CUSTOMER	SHEET NUMBER
			A4-SIZE	173112	SEE TABLE	GENERAL MARKET	1 OF 1

DOCUMENT STATUS	P1	RELEASE DATE	2021/12/01	08:28:42
-----------------	----	--------------	------------	----------