

1

2

3

4

5

6

7

A

B

C

D

E

F

G

H

A

B

C

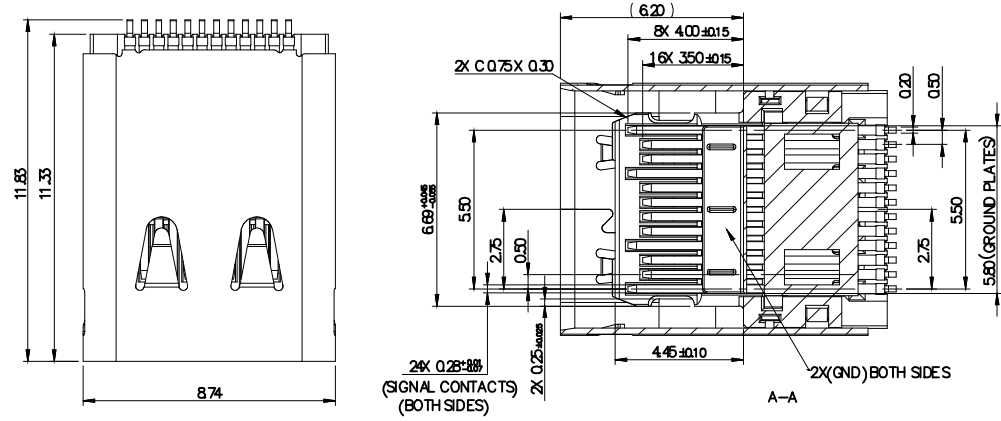
D

E

F

G

H



Notes:

SPECIFICATION MATERIAL

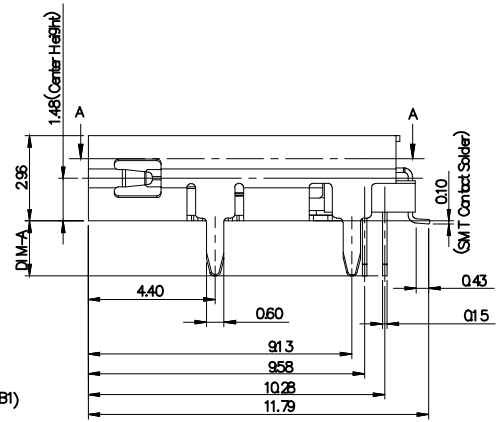
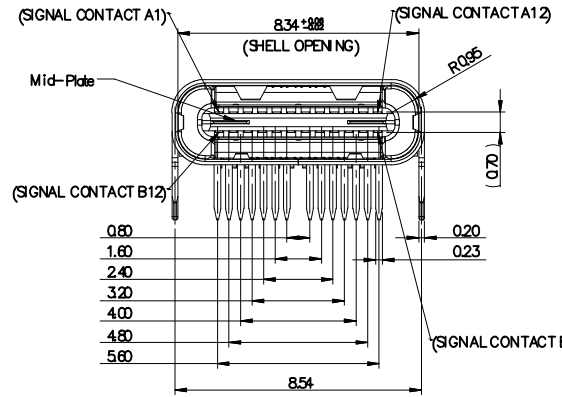
- ② Insulator: Thermoplastic, Black, UL94V-0
- Contacts: BRASS
- Shell: Stainless Steel
- CONTACT PLATING
- Underplate: 80u"~160u" Nickel
- Contact area: 30u" Pd-Ni+2u" Selective gold,
- Solder tails area: 100u"~200u" Tin (Lead Free)

ELECTRICAL

- Operation voltage: 20 V
- Current rating: 5 Amps max.
- Insulation resistance: 100 Mohms min @ 100 VDC
- Dielectric withstanding voltage: 100 VAC / minute
- Temperature range: -40°C TO +105°C

④ MECHANICAL

- Mating cycles: 10,000 insertions
- Insertion force: min. 5N to max. 20N
- Extraction force: min. 6N to max. 20N after 10,000 cycles
- Contact Resistance (EIA 364-23B): 40 mΩ (Max) initial for V_{bus}, GND and all other contacts.
- ⑤ USB1-DFN-PTR3: Tape & Reel, 700Pcs/Reel



RoHS compliant

Unit: mm

Scale	Free	⑤	Obsolete Tray packing	23.08.2019	Winnie		Date	Name	Customer-No.
TOLERANCE		④	Update mechanical character	08.10.2018	Xavier	Drawn	30.10.2014	Winnie	ASSMANN WSW-No. AUSB1-DFN-PTR3
X.	±0.50	③	Change the packing quantities	21.09.2017	Fred	Approved	23.08.2019	Winnie	
X.X	±0.30	②	Add flammability class of the insulator	18.04.2017	Winnie				
X.XX	±0.20	①	Add the detail packing quantities	22.04.2016	Winnie				Drawing-No. ASS 7048 CO
DIM	TOL	①	Add the detail packing quantities	22.04.2016	Winnie				
X.°	±2°	①	Drawn	30.10.2015	Winnie				rev05
Angle	TOL	①	Drawn	30.10.2015	Winnie				
		Id.	Modification	Date	Name				



ASSMANN WSW-No.
AUSB1-DFN-PTR3

Drawing-No.
ASS 7048 CO

Replace

Sheet
1/3

1

2

3

4

5

6

7

1

2

3

4

5

6

7

A

A

B

B

C

C

D

D

E

E

F

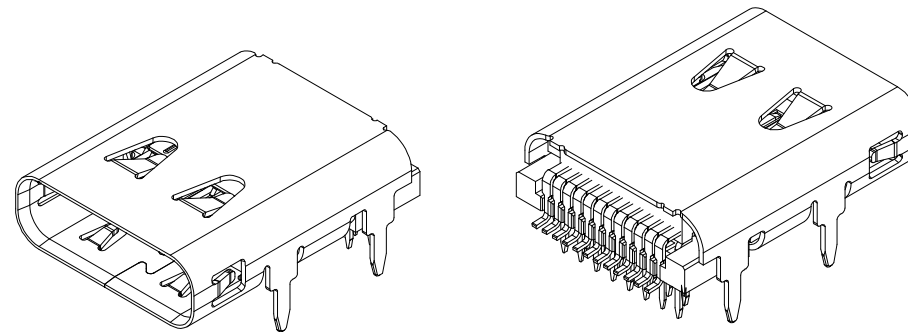
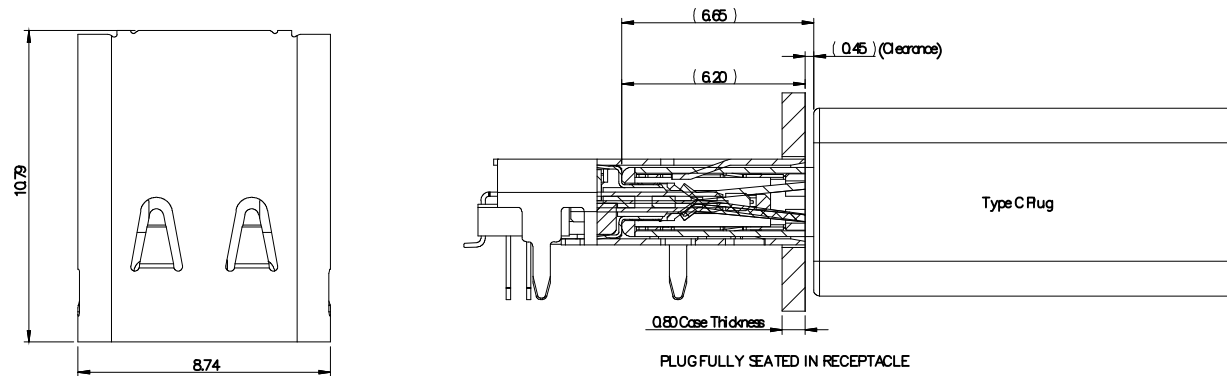
F

G

G

H

H



RoHS compliant
Unit: mm

Scale	Free	⑤	Obsolete Tray packing	23.08.2019	Winnie		Date	Name	Customer-No.				
TOLERANCE		④	Update mechanical character	08.10.2018	Xavier	Drawn	30.10.2014	Winnie	ASSMANN WSW-No. AUSB1-DFN-PTR3				
X.	±0.50	③	Change the packing quantities	21.09.2017	Fred	Approved	21.09.2017	Winnie					
X.X	±0.30	②	Add flammability class of the insulator	18.04.2017	Winnie								
X.XX	±0.20	①	Add the detail packing quantities	22.04.2016	Winnie				Drawing-No.				
DIM	TOL	①	Add the detail packing quantities	22.04.2016	Winnie							ASS 7048 CO	rev05
X.°	±2°	①	Drawn	30.10.2015	Winnie							Replace	Sheet 2/3
Angle	TOL	Id.	Modification	Date	Name								

1

2

3

4

5

6

7

SV3725
CON0735

1

2

3

4

5

6

7

A

A

B

B

C

C

D

D

E

E

F

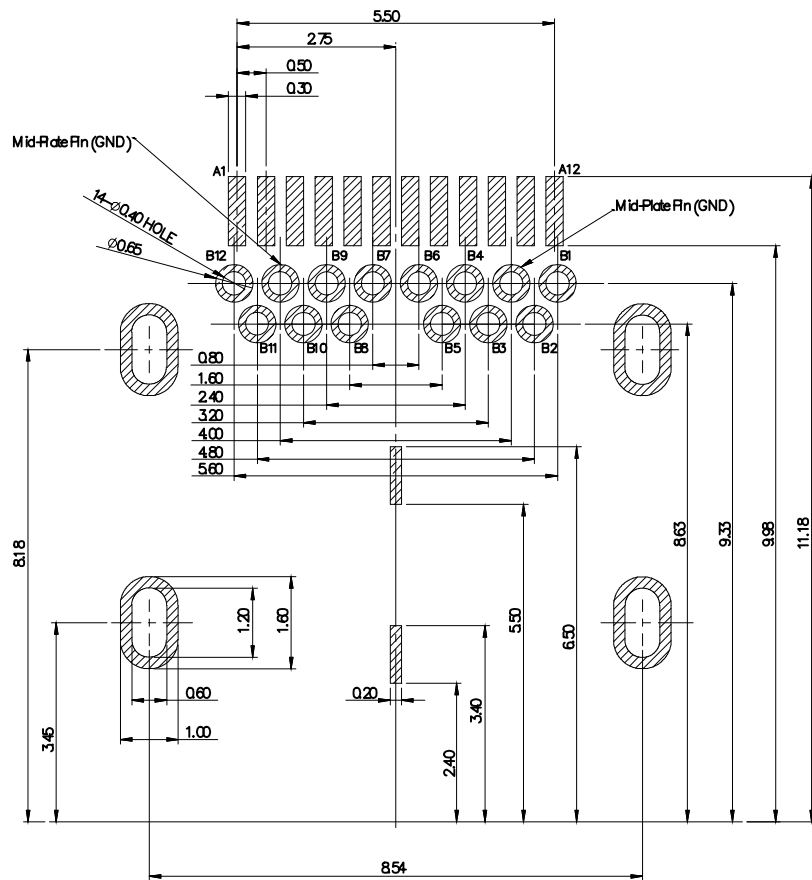
F

G

G

H

H



USB TYPE -C Pin Assignments

RnNumber	Signal Name	Pin Number	Signal Name
A1	GND	B1 2	GND
A2	SSTXp1	B1 1	SSRXp1
A3	SSTXn1	B1 0	SSRXn1
A4	VBUS	B9	VBUS
A5	CC1	B8	SBU2
A6	Dp1	B7	Dn2
A7	Dn1	B6	Dp2
A8	SBU1	B5	CC2
A9	VBUS	B4	VBUS
A1 0	SSRXn 2	B3	SSTXn2
A1 1	SSRXp 2	B2	SSTXp2
A1 2	GND	B1	GND

Recommended PCB Layout
Tolerance ± 0.05
PCB Thickness=1.00 For Dim-A 1.50 solder Tail

RoHS compliant
Unit: mm

Scale	Free	⑤	Obsolete Tray packing	23.08.2019	Winnie		Date	Name	Customer-No.
TOLERANCE		④	Update mechanical character	08.10.2018	Xavier	Drawn	30.10.2014	Winnie	ASSMANN WSW-No. AUSB1-DFN-PTR3
X.	± 0.50	③	Change the packing quantities	21.09.2017	Fred	Approved	23.08.2019	Winnie	
X.X	± 0.30	②	Add flammability class of the insulator	18.04.2017	Winnie				
DIM		①	Add the detail packing quantities	22.04.2016	Winnie	ASSMANN WSW components	Drawing-No.		ASS 7048 CO rev05
X.°	$\pm 2^\circ$	①	Drawn	30.10.2015	Winnie		Replace		
Angle	TOL	Id.	Modification	Date	Name			Sheet 3/3	

1

2

3

4

5

6

7