

6

5

4

3

2

1

APPROVED: _____

DATE: _____ TITLE: _____

Rev	AWO #	Description	Date	Appr
-		RELEASED	8/16/21	

MMI-M1RSXXXP

SIZE 1

ALIGNMENT KEY

G = 0°

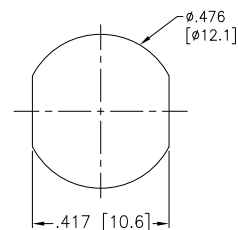
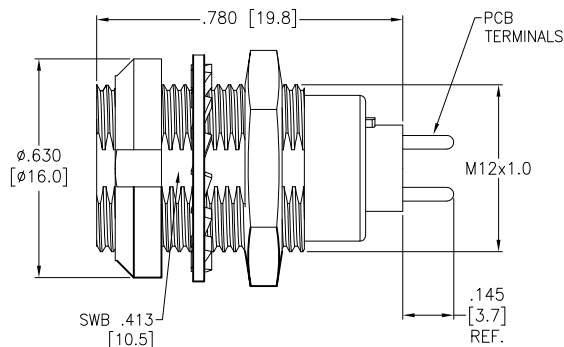
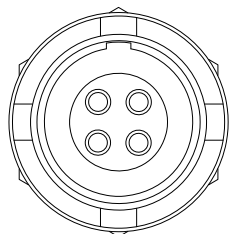
A = 30°

B = 60°

C = 90°

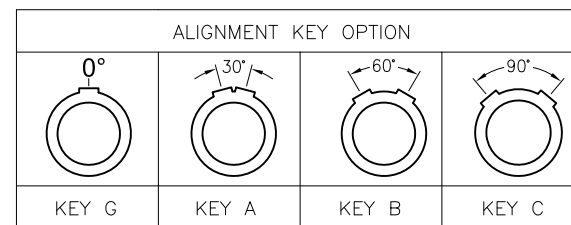
OF POSITIONS

(02, 03, 04, 05, 06, 07, 08, 10, 14 & 16)



Panel Cut-Out
(Rear Panel Mounting)

Note: .295 [7.5] Max. Panel Thickness



	2 Pin	3 Pin	4 Pin	5 Pin	6 Pin	7 Pin	8 Pin	10 Pin	14 Pin	16 Pin
Configuration										
Diameter of Pin	Ø1.3	Ø1.3	Ø0.9	Ø0.9	Ø0.7	Ø0.7	Ø0.7	Ø0.5	Ø0.5	Ø0.5
Testing Voltage	1300V	1300V	1200V	1200V	1000V	1000V	1000V	800V	800V	800V
Working Voltage	300V	300V	250V	250V	200V	200V	200V	200V	200V	200V
Rated Current / Pin	9A	9A	8A	7A	5A	5A	5A	2A	2A	2A

SPECIFICATIONS:

Material:

Body: Brass, Natural Chrome Plated

Insulator: PPS, color Beige

Terminal: Brass, Gold Plated

Electrical:

Voltage Rating: See chart

Current Rating: See chart

Dielectric withstanding voltage: See chart

Electrical Life: 1,000 Cycles min.

Mechanical:

Endurance: 5,000 Cycles Min.

Temperature Rating:

Operating temperature: -55°C to +150°C

Environmental:

IP50 Protection (Mated Condition)

Lead free, RoHS compliant



UNLESS OTHERWISE SPECIFIED
ALL DIMENSIONS ARE INCHES [MM]
TOLERANCES: EXCEPT AS NOTED

INCHES	HOLES
.X ± .10	Ø.X ± .10
.XX ± .020	Ø.XX ± .015
.XXX ± .015	Ø.XXX ± .010



909 Rahway Avenue,
Union, NJ 07083
Phone: 908-687-5000
Fax: 908-687-5710

APPROVALS		DATE
DRAWN	SS	8/16/21
CHECKED	SS	8/16/21
APPROVED		

TITLE PUSH-PULL SOCKET, VERTICAL, SIZE 1, METAL BODY, REAR PANEL MOUNT, PCB TERMINALS, IP50		
SIZE X	PART NO. MMI-M1RSXXXP	REV. -
REF: SXXXXX	SCALE: NTS	SHEET 1 OF 2

6

5

4

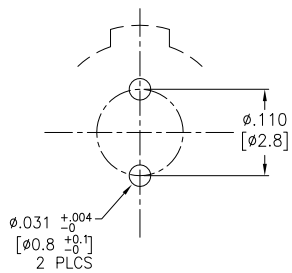
3

2

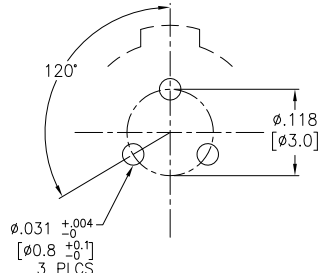
1

APPROVED: _____
 DATE: _____ TITLE: _____

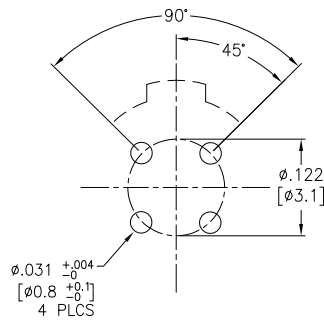
Rev	AWO #	Description	Date	Appr
-		RELEASED	8/16/21	



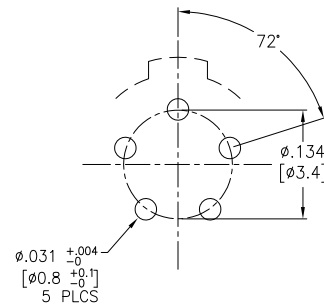
2 PIN



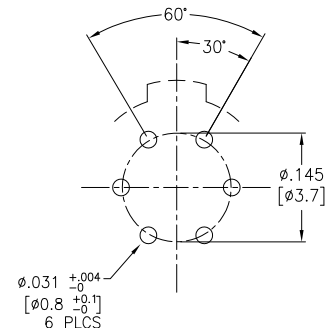
3 PIN



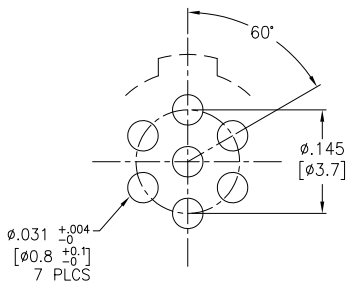
4 PIN



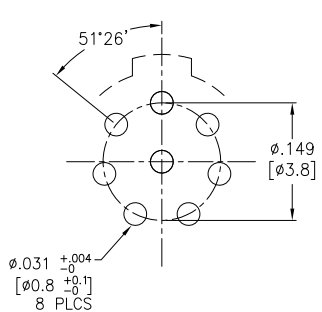
5 PIN



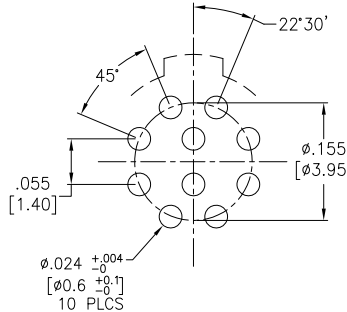
6 PIN



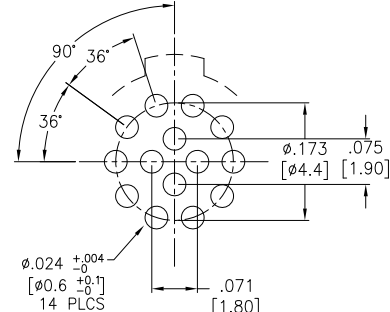
7 PIN



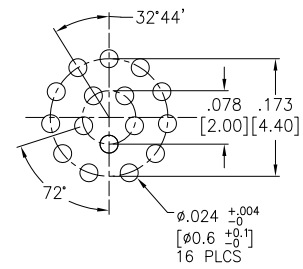
8 PIN



10 PIN



14 PIN



16 PIN

UNLESS OTHERWISE SPECIFIED
 ALL DIMENSIONS ARE INCHES [MM]
 TOLERANCES: EXCEPT AS NOTED

.X	± .10	∅X	± .10
.XX	± .020	∅.XX	± .015
.XXX	± .015	∅.XXX	± .010

APPROVALS		DATE
DRAWN	SS	8/16/21
CHECKED	SS	8/16/21
APPROVED		

ADAM TECH 909 Rahway Avenue,
 Union, NJ 07083
 Phone: 908-687-5000
 Fax: 908-687-5710

TITLE: PUSH-PULL SOCKET, VERTICAL, SIZE 1, METAL BODY, REAR PANEL MOUNT, PCB TERMINALS, IP50

SIZE	PART NO.	REV.
X	MMI-M1RSXXXP	-

REF: SXXXXXX SCALE: NTS SHEET 2 OF 2