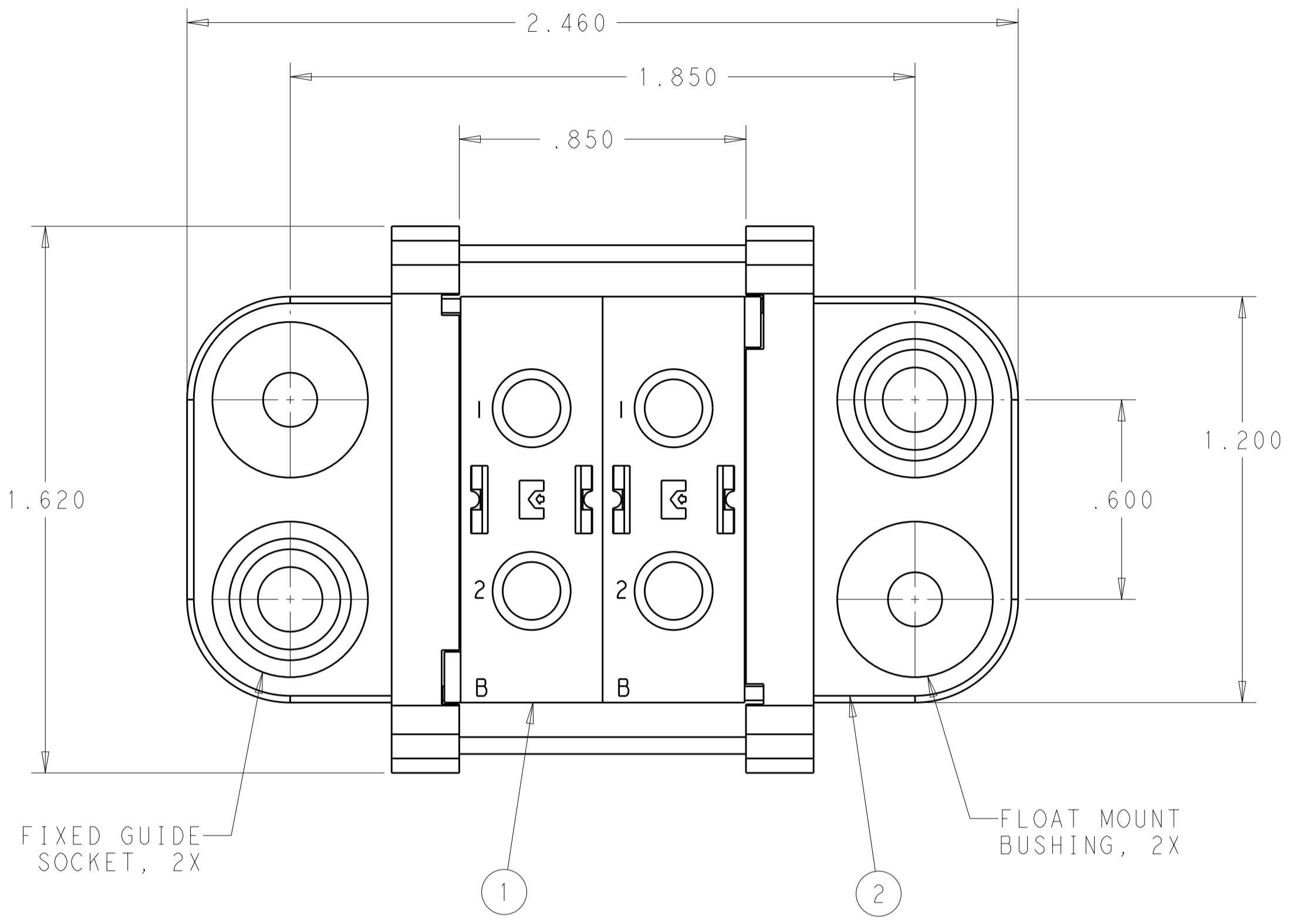


THIS DRAWING IS UNPUBLISHED. RELEASED FOR PUBLICATION 20
 © COPYRIGHT 20 TE ALL RIGHTS RESERVED.

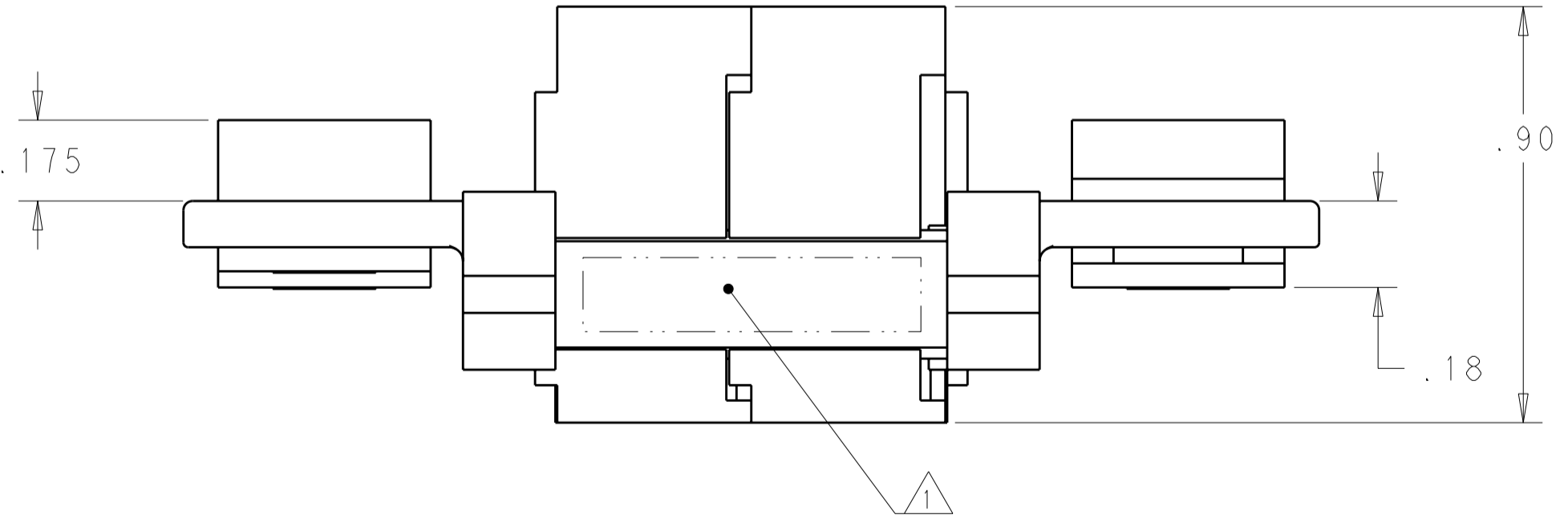
LOC	DIST	REVISIONS					
GP	00	P	LTR	DESCRIPTION	DATE	DWN	APVD
		B		REV PER ECO-11-020009	04OCT2011	RG	DO



△ ITEMS PROVIDED TO THIS SPECIFICATION TO BE PERMANENTLY IDENTIFIED PER THE FOLLOWING IDENTIFIER:

YEAR 1 WEEK 1
 TE PART NUMBER XXXXXXXX-X DATE CODE (e.g. 0212) XXXX

- △ MODULES NOTED ARE CRIMP REMOVABLE STYLE CONTACT. CONTACTS ARE PACKAGED AND SHIPPED LOOSE PIECE.
- △ MOUNTING FLANGE BUSHING ACCEPTS 6/32 SCREW (Ø.156 CLEARANCE HOLE, FLOAT MOUNT) OR 8/32 SCREW (Ø.173 CLEARANCE HOLE, FIXED MOUNT) USER SUPPLIED



QTY	PART NUMBER	DESCRIPTION	ITEM
4	6648317-1	SOCKET CONTACT, SIZE No.8	3
2	6648252-1	GUIDE SOCKET, FLOAT MOUNT	2
2	1648467-1	B MODULE, No.8	1
-2			

THIS DRAWING IS A CONTROLLED DOCUMENT. DWN R.GRZYBOWSKI 04OCT2011
 CHK S.FLICKINGER 04OCT2011
 APVD S.FLICKINGER/04OCT2011
 PRODUCT SPEC -
 APPLICATION SPEC -
 WEIGHT -
 CUSTOMER DRAWING

STE TE Connectivity

NAME SOCKET CONNECTOR DOMINO W/ PANEL CUT-OUT

SIZE A2 CAGE CODE 00779 DRAWING NO. C-6646040 RESTRICTED TO -

SCALE 3:1 SHEET 1 OF 2 REV B

4

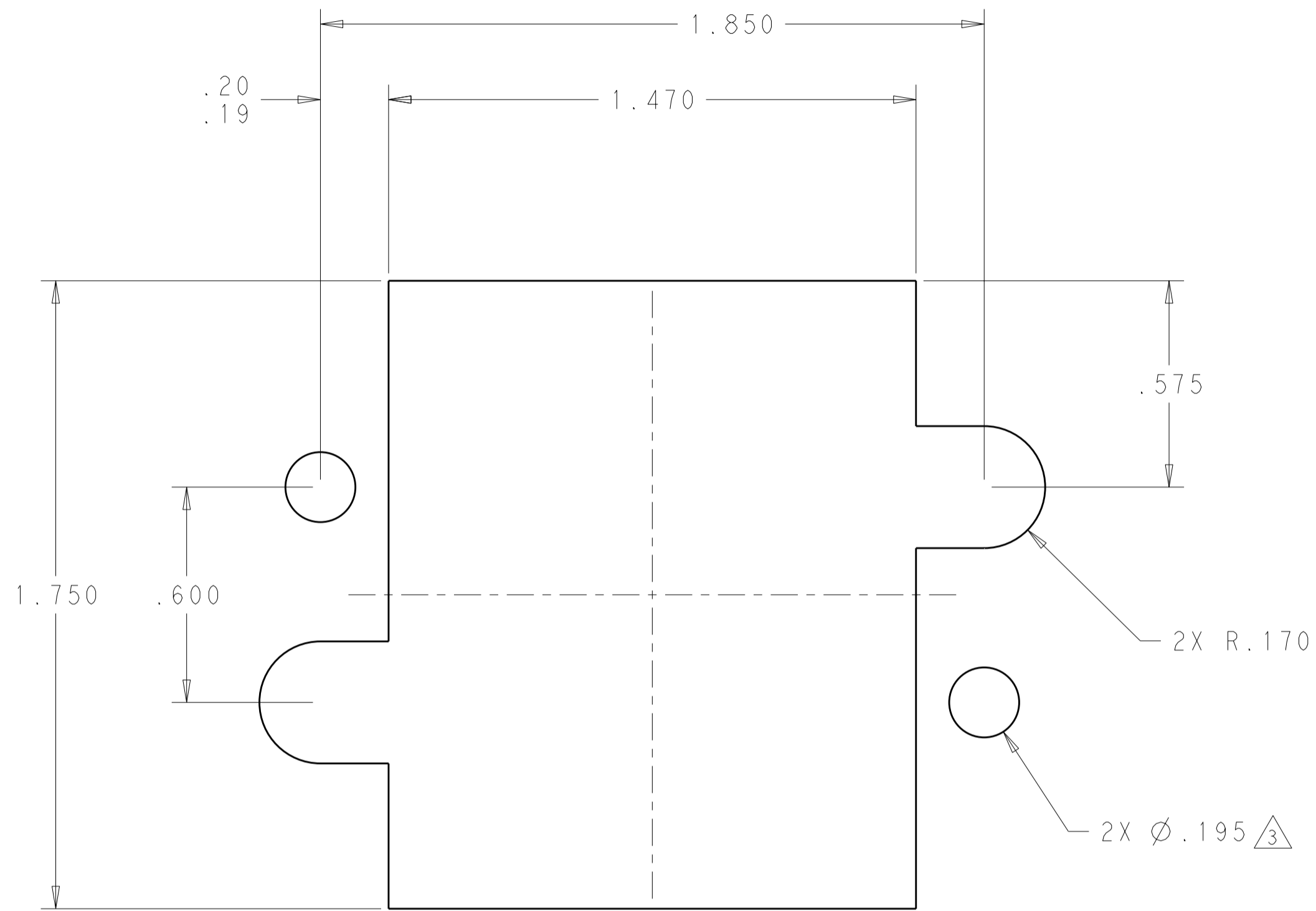
3

2

1

THIS DRAWING IS UNPUBLISHED. RELEASED FOR PUBLICATION 20
 © COPYRIGHT 20 TE ALL RIGHTS RESERVED.

LOC	DIST	REVISIONS					
GP	00	P	LTR	DESCRIPTION	DATE	DWN	APVD
		-		SEE SHEET 1			



SOCKET PANEL MOUNT CUT-OUT

THIS DRAWING IS A CONTROLLED DOCUMENT.		DWN R. GRZYBOWSKI 04OCT2011	STE TE Connectivity	
DIMENSIONS: INCHES		CHK S. FLICKINGER 04OCT2011		
TOLERANCES UNLESS OTHERWISE SPECIFIED:		APVD FLICKINGER/ZORRIS 04OCT2011	NAME SOCKET CONNECTOR DOMINO W/ PANEL CUT-OUT	
0 PLC ± 1 PLC ± 2 PLC ±.032 3 PLC ±.016 4 PLC ±		PRODUCT SPEC -	SIZE A200779	
ANGLES ± FINISH		APPLICATION SPEC -	CAGE CODE C-6646040	
MATERIAL -		WEIGHT -	DRAWING NO 6646040	
		CUSTOMER DRAWING	RESTRICTED TO -	
		SCALE 3:1	SHEET 2 OF 2 REV B	