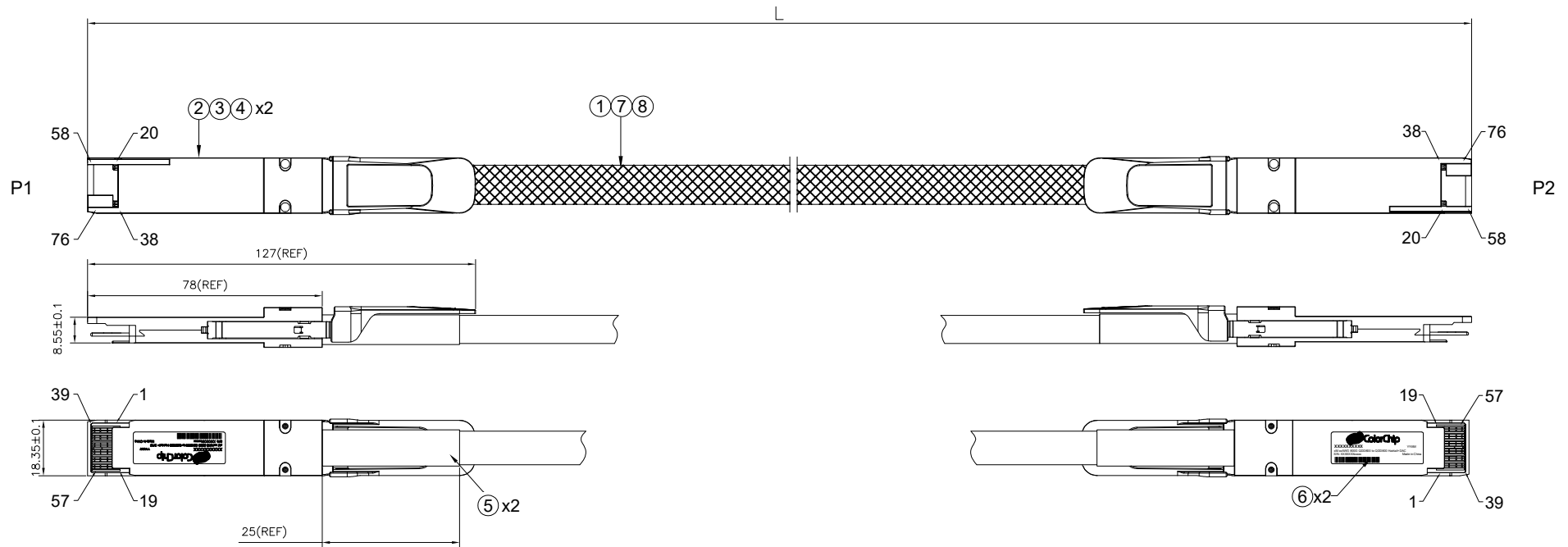


NOTICE: ALL PARTS MUST MEET TO RoHS REQUIREMENTS

REV.	DESCRIPTION	DRAWN	APPROVED	DATE
X1	NEW DRAWING	ZHI YANG	RYAN	2022.05.20
X2	UPDATE BEND DATA & LABEL INFORMATION	ZHI YANG	RYAN	2022.08.18



NOTE:

1. RAW CABLE IMPEDANCE:  $100_{-5}^{+10}$  ohm, MATED CONNECTOR IMPEDANCE:  $100_{-15}^{+10}$  ohm, RISE TIME: 13ps(20%~80%).
2. 100% CONDUCTOR TEST; TEST CONDITION: VOLTAGE 5V, INSULATION RESISTANCE 10M ohm; CONDUCTION RESISTANCE MAX 3 ohm .
3. HIGH-FREQUENCY TEST ACCORDING TO IEEE802.3ck STANDARD.
4. ALL MATERIAL MUST COMPLY WITH ROHS2.0.

ITEM	NAME	DESCRIPTION	Q'TY
8	BRAID SHIELD	COPPER, BRAID	A/R
7	PLASTIC BRAIDED MESH	PET, BLACK	A/R
6	BACK SHELL LABEL	BACK SHELL LABEL, 29.5*10mm	2
5	HEAT SHINK	BLACK	A/R
4	SR	TPU BLACK	2
3	QSFP DD CONN ASSEMBLY	Zn ALLOY, PLATED Ni OVER Cu +STAINLESS STEEL LATCH+PULLTAB+SPRING+RIVET	2
2	PCBA	QSFP-DD DAC PCB, 76P, Au 30u"Min	2
1	SAS CABLE	SAS CABLE, 112G, ROHS2.0	A/R

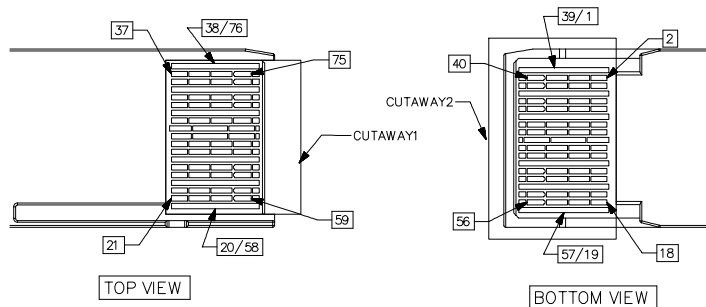
1. * ±0.1 2. ** ±0.1 3. *** ±0.05 4. FRACT. ±1/32" 5. ANGULAR ±1/2'	Customer P/N: N/A	
	Customer REV.: N/A	
	PART NO. SEE TABLE 1	
	APPROVED Ryan, Lei	
	CHECKED Xichun, Tan	
DRAWN Zhi, Yang	TITLE QSFP-DD800 COPPER HAIRTAIL+ DAC ASS'Y 800G DATA RATE, PASSIVE	
DATE 2022-08-18	DRAWING NO. SD_P-100-QD-QD-XXXB	
	UNIT SCALE SHEET REV. MM NONE 1/3 X2	

NOTICE: ALL PARTS MUST MEET TO RoHS REQUIREMENTS

LOW SPEED SIGNALS P1 & P2	
PAD	SIGNAL
8	MODSELL
9	RESETL
10	VCCR_X
11	SCL
12	SDA
27	MODPRSL
28	INTL
29	VCCTX
30	VCC1
31	INIT_MODE
46	OPEN
47	OPEN
48	OPEN
49	OPEN
50	OPEN
65	OPEN
66	OPEN
67	OPEN
68	OPEN
69	OPEN

WIRING DIAGRAM				
P1 END		P2 END		
Pad	Signal		Pad	Signal
1	GND	—	20	GND
2	TX2n	→	21	RX2n
3	TX2p	→	22	RX2p
4	GND	—	23	GND
5	TX4n	→	24	RX4n
6	TX4p	→	25	RX4p
7	GND	—	26	GND
13	GND	—	32	GND
14	RX3p	←	33	TX3p
15	RX3n	←	34	TX3n
16	GND	—	35	GND
17	RX1p	←	36	TX1p
18	RX1n	←	37	TX1n
19	GND	—	38	GND
20	GND	—	1	GND
21	RX2n	←	2	TX2n
22	RX2p	←	3	TX2p
23	GND	—	4	GND
24	RX4n	←	5	TX4n
25	RX4p	←	6	TX4p
26	GND	—	7	GND
32	GND	—	13	GND
33	TX3p	→	14	RX3p
34	TX3n	→	15	RX3n
35	GND	—	16	GND
36	TX1p	→	17	RX1p
37	TX1n	→	18	RX1n
38	GND	—	19	GND

WIRING DIAGRAM				
P1 END		P2 END		
Pad	Signal		Pad	Signal
39	GND	—	58	GND
40	TX6n	→	59	RX6n
41	TX6p	→	60	RX6p
42	GND	—	61	GND
43	TX8n	→	62	RX8n
44	TX8p	→	63	RX8p
45	GND	—	64	GND
51	GND	—	70	GND
52	RX7p	←	71	TX7p
53	RX7n	←	72	TX7n
54	GND	—	73	GND
55	RX5p	←	74	TX5p
56	RX5n	←	75	TX5n
57	GND	—	76	GND
58	GND	—	39	GND
59	RX6n	←	40	TX6n
60	RX6p	←	41	TX6p
61	GND	—	42	GND
62	RX8n	←	43	TX8n
63	RX8p	←	44	TX8p
64	GND	—	45	GND
70	GND	—	51	GND
71	TX7p	→	52	RX7p
72	TX7n	→	53	RX7n
73	GND	—	54	GND
74	TX5p	→	55	RX5p
75	TX5n	→	56	RX5n
76	GND	—	57	GND



1. * ±0.1 2. ** ±0.1 3. *** ±0.05 4. FRACT. ±1/32" 5. ANGULAR ±1/2"	Customer P/N: N/A	
	Customer REV.: N/A	
	PART NO. SEE TABLE 1	TITLE: QSFP-DD800 COPPER HAIRTAIL+ DAC ASSY 800G DATA RATE, PASSIVE
	APPROVED Ryan, Lei	DRAWING NO. SD_P-100-QD-QD-XXXB
	CHECKED Xichun, Tan	UNIT: MM SCALE: NONE SHEET: 2/3 REV.: X2
DRAWN Zhi, Yang		
DATE 2022-08-18		

NOTICE: ALL PARTS MUST MEET TO RoHS REQUIREMENTS

QSFP-DD BACKSHELL LABEL INFORMATION



- ← ColorChip LOGO
- ← CUSTOMER P/N: SEE PO FOR DETAIL; WEEK OF MANUFACTURE
- ← DESCRIPTION
- ← SN:SEE SN NOTE; Made in China
- ← 128CODE SN: XXXXXXXxxx

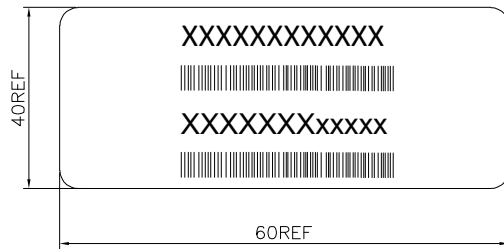
SN NOTE:

XXXXXXXXxxxx

00001~99999

PO NO.

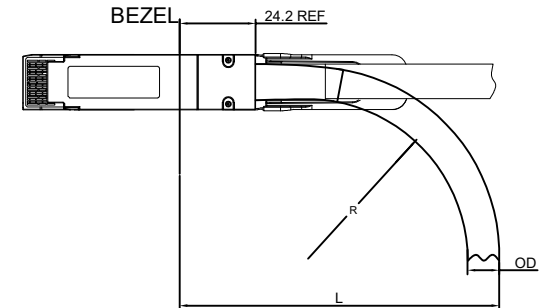
ANTI-STATIC BAG LABEL INFORMATION



- ← CUSTOMER P/N: SEE PO FOR DETAIL
- ← 128CODE CUSTOMER P/N
- ← SN:SEE SN NOTE
- ← 128CODE SN: XXXXXXXxxx

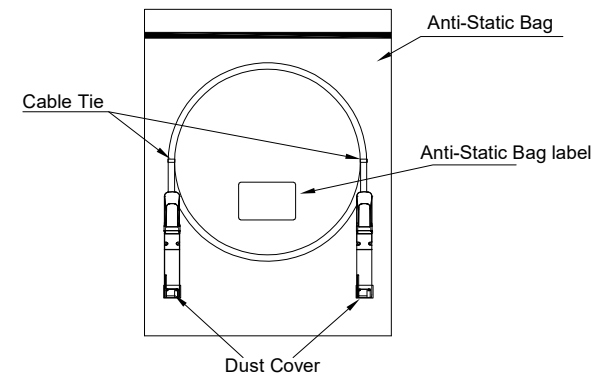
TABLE 1

ITEM	CUSTOMER PN	MODEL NUMBER	PART NUMBER	LENGTH	AWG
1	TBD	P-100-QD-QD-005B	1180100004001	500±50	28
2	TBD	P-100-QD-QD-010B	1180100004002	1000±80	28
3	TBD	P-100-QD-QD-015B	1180100004003	1500±80	26
4	TBD	P-100-QD-QD-020B	1180100004004	2000±100	26



SAS CABLE GAUGE	CABLE "OD"	MIN. BEND RADIUS"R"	MIN. BEND SPACE"L"
28 AWG	10.2 REF MM	20.4 MM	64 MM
26 AWG	12.1 REF MM	24.2 MM	68 MM

BEZEL



1. * ±0.1 2. ** ±0.1 3. *** ±0.05 4. FRACT. ±1/32" 5. ANGULAR ±1/2"	Customer P/N: N/A		
	Customer REV.: N/A		
	PART NO. SEE TABLE 1		TITLE: QSFP-DD800 COPPER HAIRTAIL+ DAC ASS'Y 800G DATA RATE, PASSIVE
	APPROVED Ryan, Lei		DRAWING NO. SD_P-100-QD-QD-XXXB
	CHECKED Xichun, Tan		UNIT SCALE SHEET REV. MM NONE 3/3 X2
DRAWN Zhi, Yang	DATE 2022-08-18		