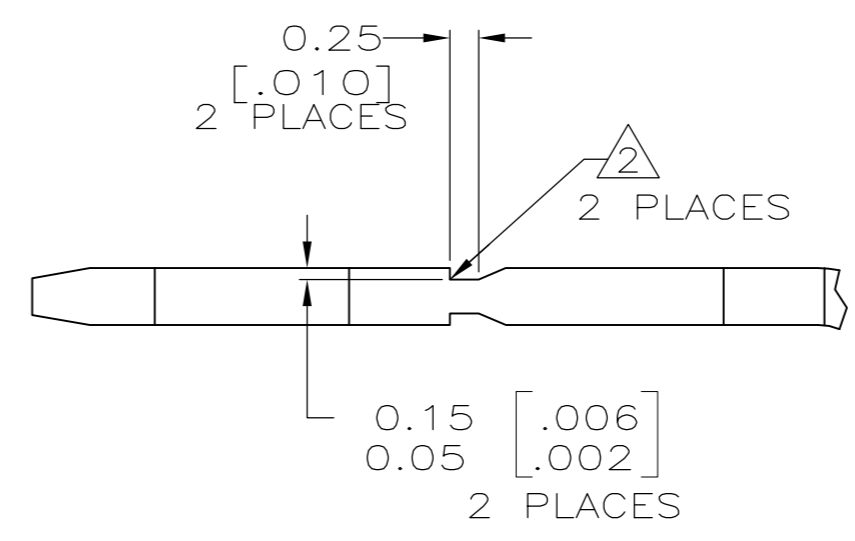
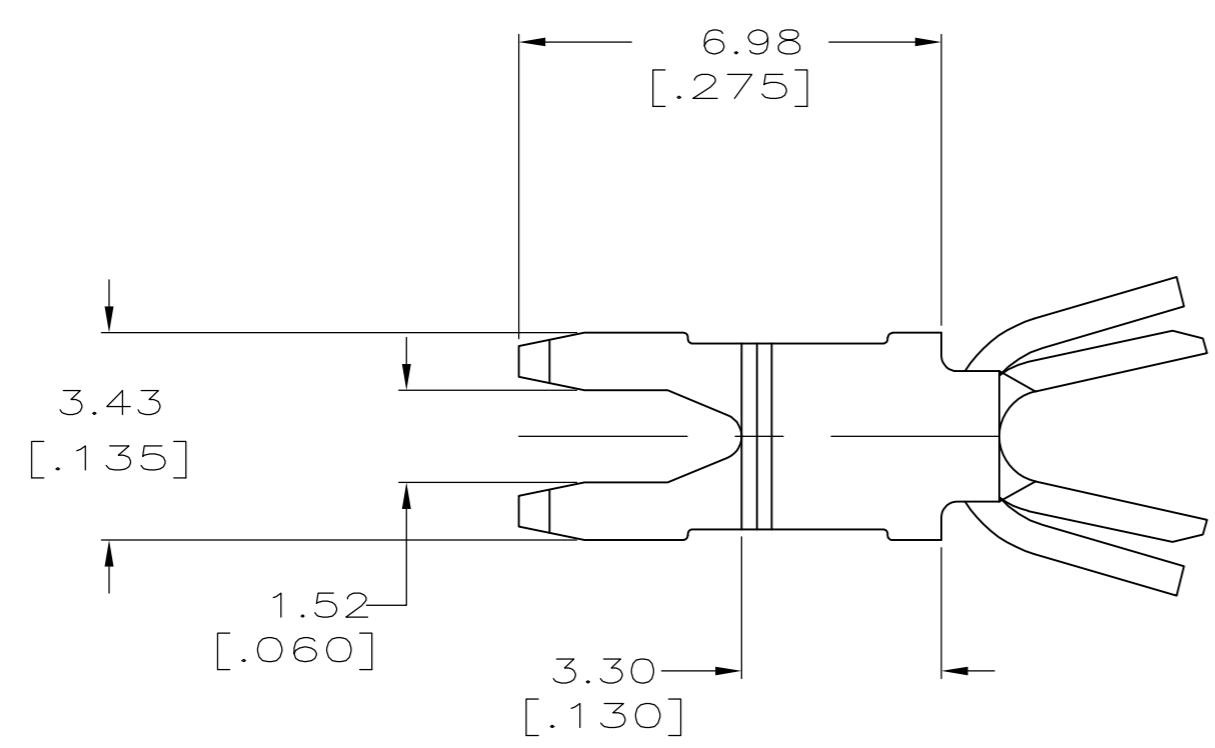


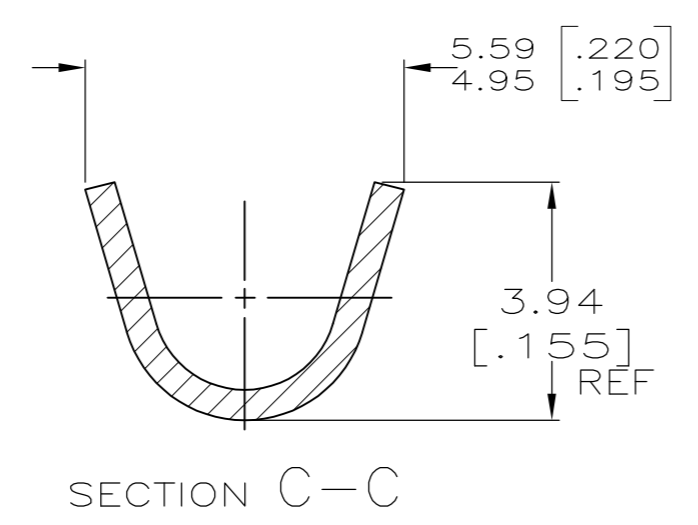
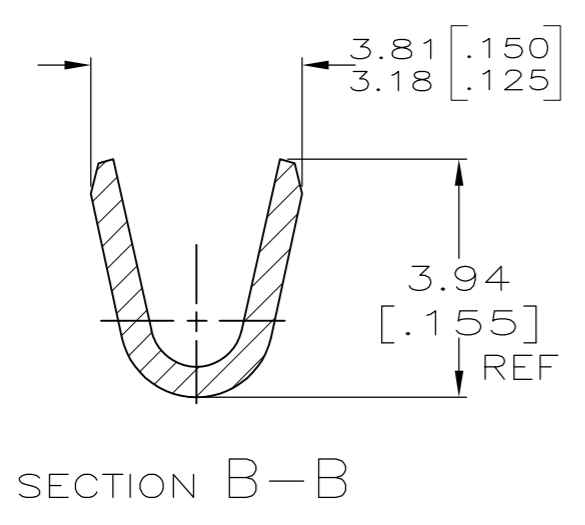
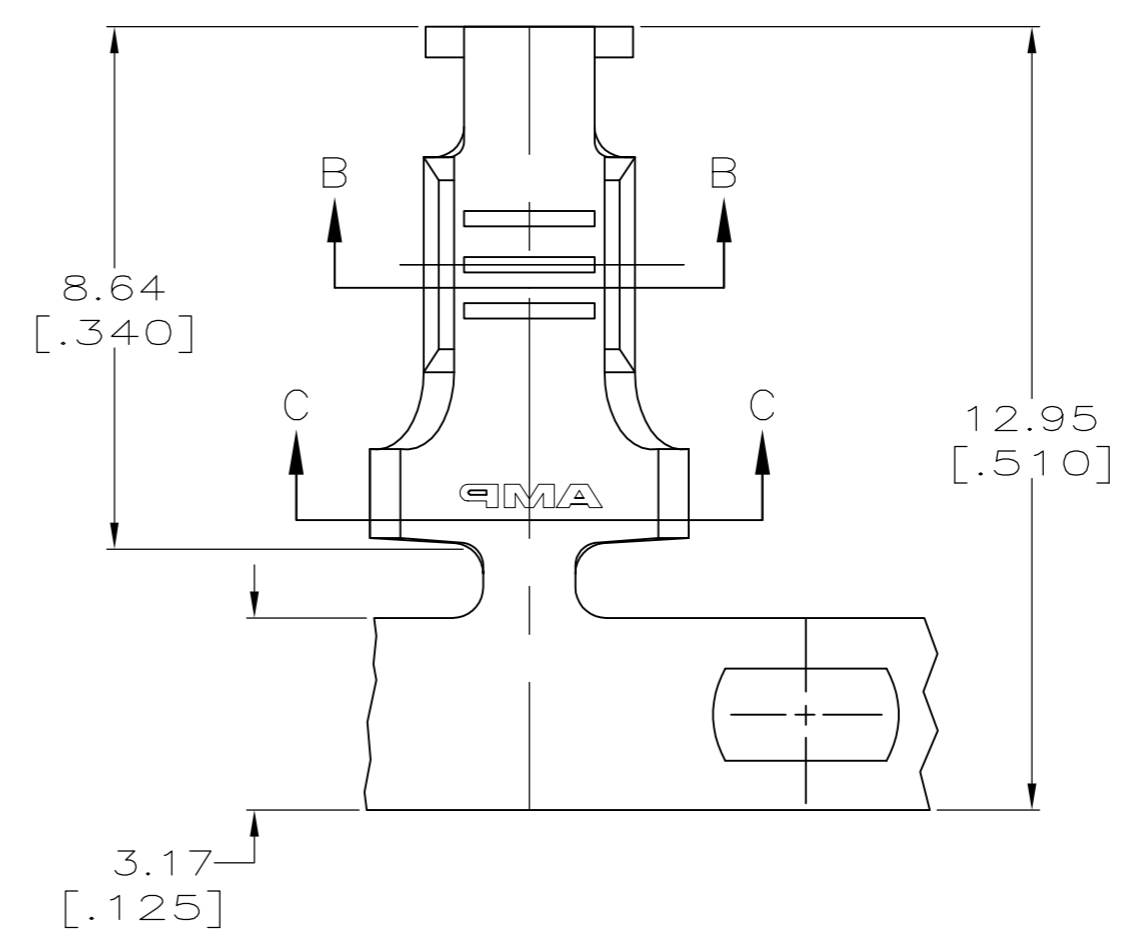
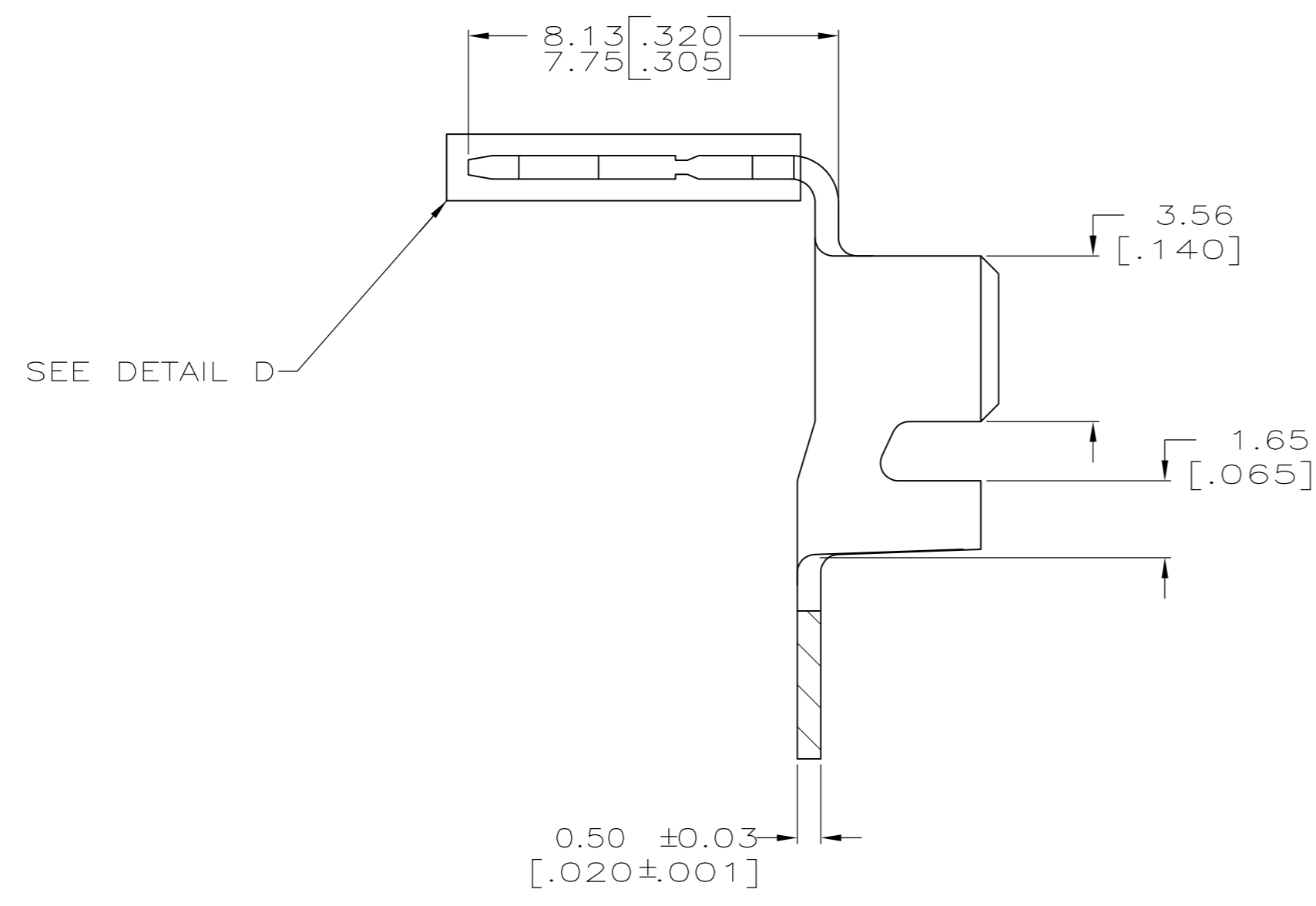
THIS DRAWING IS UNPUBLISHED. RELEASED FOR PUBLICATION  
 © COPYRIGHT - By - ALL RIGHTS RESERVED.

LOC	DIST	REVISIONS			
P	LTR	DESCRIPTION	DATE	DWN	APVD
AF	50	D1	ECR-13-016672	25OCT13	PKSRRP



DETAIL D  
 SCALE 15:1

- 1 CONTINUOUS STRIP ON REELS WITH TERMINALS LOCATED ON 9.14±0.08 [.360±.003] CENTERS
- 2 FOR OPTIMUM RETENTION IN POKE-IN TYPE MAG-MATE TERMINALS, THE SERRATION AS SHOWN MUST BE ENGAGED WITH THE EDGE OF THE LEAF



STANDARD	#18-#14 AWG	2.29-3.56 DIA	1217214-1
REELING	WIRE RANGE	INSULATION RANGE	PART NUMBER
THIS DRAWING IS A CONTROLLED DOCUMENT.		TE Connectivity	
DWN MICHAEL S. FEHER 20SEP1999 CHK KURT A. RANDOLPH 21SEP1999 APVD KURT A. RANDOLPH 21SEP1999		NAME	
DIMENSIONS: mm		PRODUCT SPEC	
TOLERANCES UNLESS OTHERWISE SPECIFIED:		APPLICATION SPEC	
0 PLC ± - 1 PLC ± - 2 PLC ± 0.25[.010] 3 PLC ± - 4 PLC ± - ANGLES ± -		108-22045	
MATERIAL BRASS		FINISH TIN PLATE	
WEIGHT		114-2050	
CUSTOMER DRAWING		SCALE 8:1	
SIZE A2		CAGE CODE 00779	
DRAWING NO		C=1217214	
RESTRICTED TO		SHEET 1 of 1	
REV D1			