

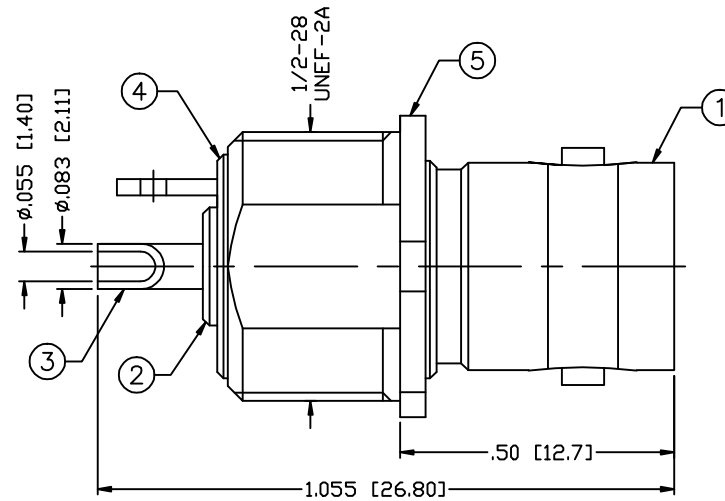
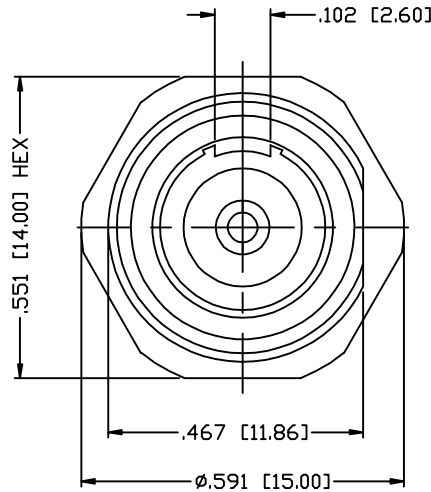
THIS DRAWING CONTAINS INFORMATION PROPRIETARY TO RF INDUSTRIES,
 ANY UNAUTHORIZED USE OF THIS DRAWING IS EXPRESSLY PROHIBITED
 WITHOUT WRITTEN PERMISSION FROM RF INDUSTRIES.
 ANY VIOLATION IS PUNISHABLE UNDER U.S. COPYRIGHT LAWS.

ALL DIMENSIONS ARE REFERENCE ONLY

PART NO.

RFB-1716-I-03

REV	DESCRIPTION	DWN	DATE	APPROVED
-	ENGINEERING RELEASE	CZS	4/29/03	JDMc



MAX. PANEL THICKNESS: .157"

SPECIFICATIONS:

IMPEDANCE: 75 Ohms
 FREQUENCY RANGE: 0-4 GHz
 WORKING VOLTAGE: 500 V rms @ sea level
 TEMPERATURE RANGE: -65°C TO 165°C
 INSULATION RESISTANCE: 5k M Ohms min.

1	BODY	1	BRASS	NICKEL, 100µ"	008974	
2	INSULATOR	1	PTFE	---		
3	CONTACT	1	PHOS. BRONZE	GOLD, 3µ"		
4	INSULATOR	1	DELRIIN	---		
5	HOUSING	1	BRASS	NICKEL, 100µ"		
6						
7						
8						
9						
10					DRAWN C. ZUNIGA 3/14/07	
11					CHECKED	
12						
13					ORJ DRAWN C. ZUNIGA 3/14/07	
14						
#	DESCRIPTION	QTY	MATERIAL	FINISH	APPROVALS	DATE

DIMENSIONS ARE IN INCHES
 AND [MILLIMETERS]
 UNLESS OTHERWISE NOTED
 TOLERANCES ARE:
 DECIMALS DIAMETER

RFconnectors
 DIVISION OF RF INDUSTRIES, LTD.

7610 MIRAMAR RD
 SAN DIEGO, CA 92126
 (858) 549-6340
 (858) 549-6345 FAX

BNC JACK

BULKHEAD, NO HARDWARE, ISOLATED RECEPTACLE

SIZE	CABLE GROUP	DWG NO.	REV
A	N/A	RFB-1716-I-03	-
SCALE: NTS		CAD FILE OUTLINE	SHEET 1 OF 1