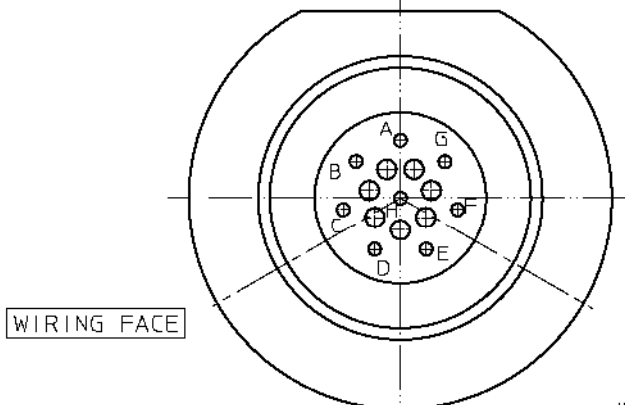


DIT IS ONZE EIGENDOM EN MAG NIET WERDEN, NIET VOOR FABRIKATIE GEBRUIKT WORDEN, ZONDER ONZE SCHRIFTELIJKE TOELATING. BIJ NIET GEBRUIK IS DE TERUGZENDING VERPLICHT.

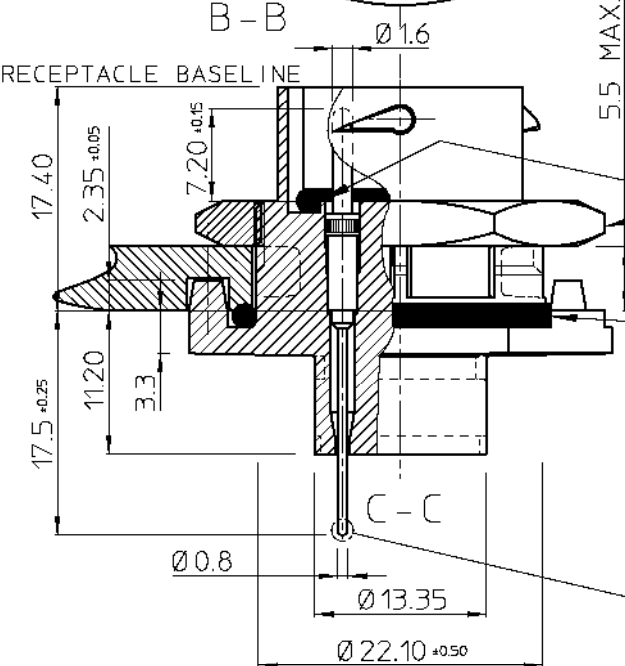
THIS IS OUR EXCLUSIVE PROPERTY. IT IS NOT TO BE COPIED, REPRINTED OR DISCLOSED TO A THIRD PARTY, NOR USED FOR MANUFACTURING WITHOUT OUR WRITTEN CONSENT, AND HAS TO BE RETURNED TO US IN CASE OF NO USAGE.

BS, A , 202343, 001, 00

REV.	DATE	DESCRIPTION	BY	C'K'D'
0B	19.06.97	ADDITIONAL FORM ADDED	S.V.D.	
0C	02.07.97	Set RFT	S.V.D.	
0D	21/08/97	PROPOSAL TO CHANGE CONTACTPOINT	R.J.V.	



WIRING FACE

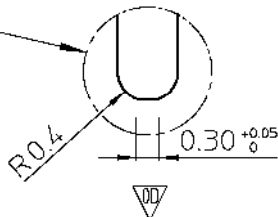
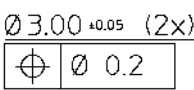
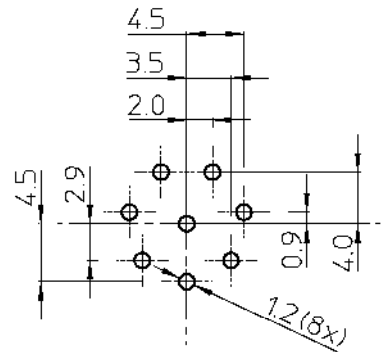


RECEPTACLE BASELINE

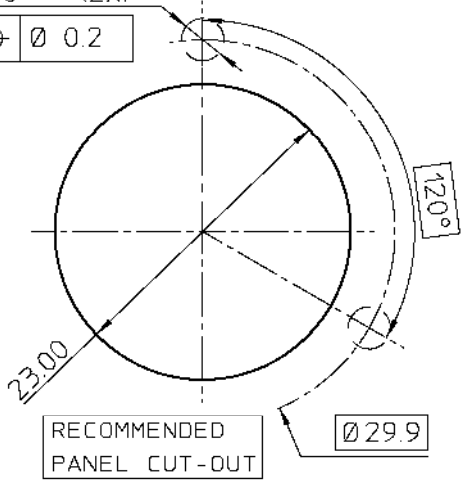
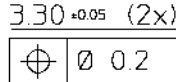
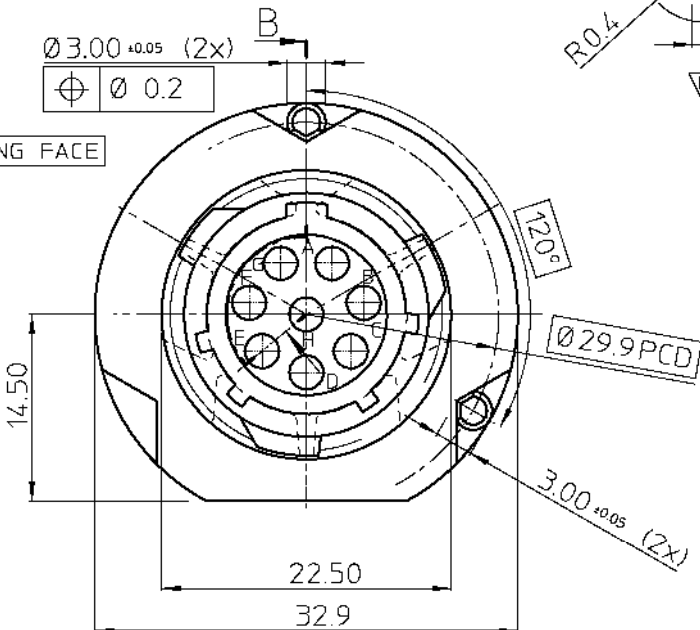
O-SEAL BETWEEN PLUG AND RECEPTACLE
MOUNTING NUT PG16 1.5 - 2.5 Nm

O-SEAL BETWEEN PANEL AND RECEPTACLE

DRILLING PATTERN



MATING FACE



RECOMMENDED PANEL CUT-OUT

GEN. ST.	01	02	03	04	05	06	07	08	0D	50	60	70	80	90																	
INT. ST.	10	11	12	13	14	18	20	31	32	33	34	38	39	40	42	43	44	45	46	48	56	70	72	73	75	76	81	82	83	84	88

1DEC ± 0.2 1DEC
2DEC ± 0.1 2DEC
ANGLES ± 1° HOEKEN

WE RESERVE THE RIGHT TO CHANGE DIMENSIONS OR REQUIREMENTS WITHOUT PRIOR NOTICE.

ALL DIMENSIONS IN MM

APPR. DATE SIGN. UTP BULKH. ASS'Y W. MACHINED BULL NOSE CONTACTS

DRAFT 15-04-97 S. Van Dessel CAT. No. UTP7128PHGE38

CHECKED

PROD. MGR.

PR. ENG. MGR.

PR. MGT. MGR.

SCJRIAL

Revue Nationale 23

77470 CHAMPAIGNE

SCALE 1.7:1



REFERENCES / REFERENTIES

BS, A , 202343, 001, 00

DRAWING NR. CUSTOMER DRAWING