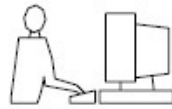
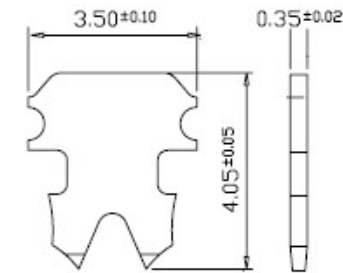
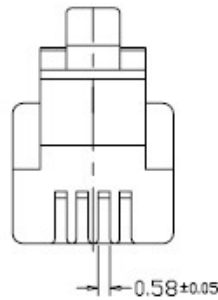
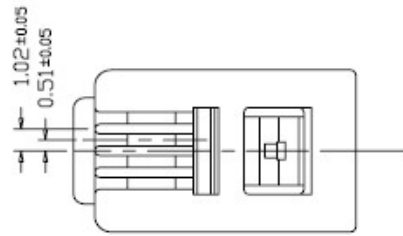


THIS IS A C.A.D. GENERATED DRAWING
DO NOT MAKE MANUAL REVISIONS TO MASTER.

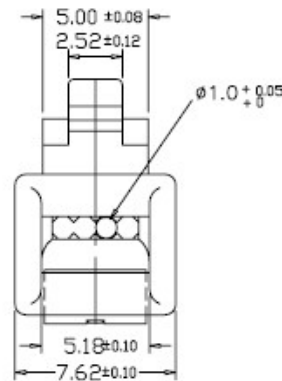
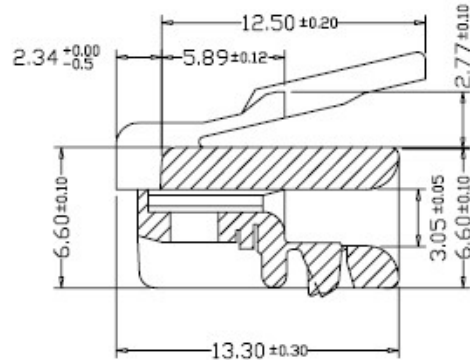


* UNLESS OTHERWISE SPECIFIED TOLERANCES
ON DECIMAL IS:

UNIT: MM



2 PRONGS FOR STRANDED WIRE



REMARK:

- 1.AVAILABLE FOR 24 OR 26 AWG WIRE.
- 2.HOUSING MATERIAL: POLYCARBONATE UL 94V-0.
- 3.CONTACT TYPE: 2 PRONGS FOR STRANDED WIRE.
- 4.GOLD PLATING: 50u"(≥1.27um).
- 5.CONTACT MATERIAL: PHOSPHOR BRONZE.

THESE DRAWINGS AND SPECIFICATIONS ARE THE
PROPERTY OF MH CONNECTORS LTD, AND SHALL NOT
BE REPRODUCED, COPIED OR USED AS THE BASIS FOR
THE MANUFACTURE OR SALE OF APPARATUS WITHOUT
WRITTEN PERMISSION.

DRAWN		DATE
JOHNNY		06-29-13
APPROVED		DATE

SCALE	SHEET OF	REV;
	1 OF 1	2.0

DRAWING No
MHRJ224P4CF



THIS SERIES FULLY CONFORMS TO THE
EUROPEAN UNION DIRECTIVES 2002/95/EC
AND 2002/96/EC FOR RoHS COMPLIANCY.



MH CONNECTORS LTD.