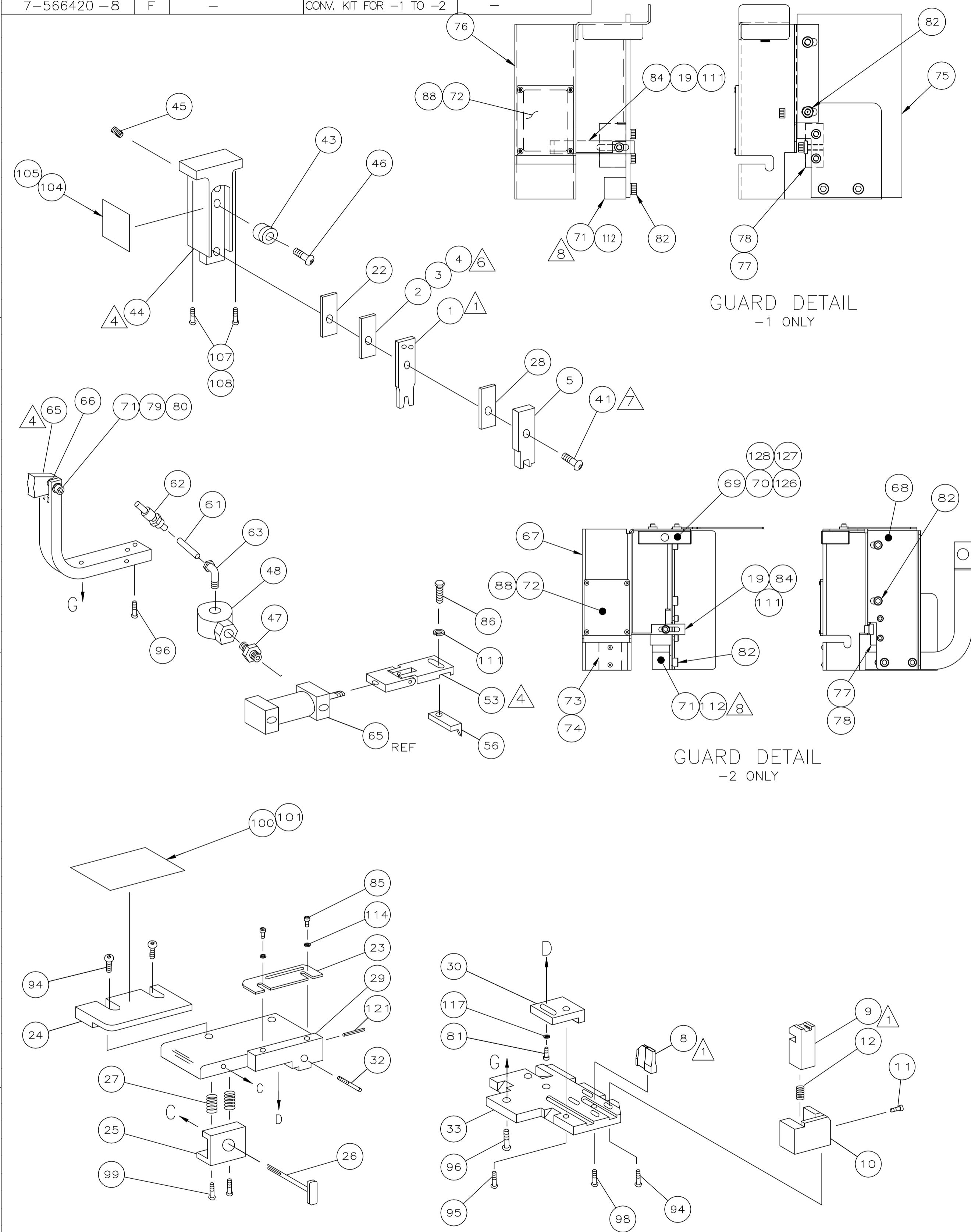


PART NUMBER	REV	FIRST USED	MACHINE REFERENCE	FEED TYPE
566420-1	E	356462-2	G SPLICE THRU	AIR FEED
566420-2	F	2161300-1	SK CE & GI THRU SPLICE	AIR FEED
7-566420-7	E	356462-2	SPARE PARTS KIT	-
7-566420-8	F	-	CONV. KIT FOR -1 TO -2	-

SUPERCEDED BY 1855802-1
SUPERCEDED BY 1855802-2



GUARD DETAIL
-1 ONLY

GUARD DETAIL
-2 ONLY

- 1 RECOMMENDED SPARE PARTS.
- 2 GREASE LIGHTLY.
- 3 GUARD MUST BE IN PLACE WHEN OPERATING APPLICATOR IN A BENCH MACHINE.
- 4 SEE DRAWING FOR COMPONENTS
- 5 ITEM NOT SHOWN
- 6 INSTALL ITEM 2,3 & 4 AS REQUIRED SHIP REMAINING ITEMS WITH APPLICATOR
- 7 CRIMPER BOLT MUST BE LOOSENED TO CHANGE CRIMP HEIGHT ADJUSTING WHEEL. BE SURE TO SEAT THE CRIMPER AGAINST THE ADJUSTING WHEEL AND REALIGN THE TOOLING.
- 8 PLACE ITEM 112 BETWEEN ITEM 71 AND 75 ON -1.
PLACE ITEM 112 BETWEEN ITEM 71 AND 68 ON -2.

TERMINAL NAME: SPLICE						
CRIMPING DATA						
PAD NO.	CRIMP HEIGHT	WIRE SIZE	WIRE SET UP			
5	.090 ±0.02 [2.29 ±0.05mm]		1(17) & 1(16)			
5	.086 ±0.02 [2.18 ±0.05mm]	3400-4200 CMA	2(17)			
4	.082 ±0.02 [2.08 ±0.05mm]	2600-3400 CMA	1(19) & 1(18)			
4	.078 ±0.02 [1.98 ±0.05mm]	1900-2600 CMA	(2) 20			
CRIMP SIZE TYPE RANGE						
WIRE	.110 [2.79mm]	F	1900-5000 CMA			
INSUL	-	-	-			
WIRE STRIP LENGTH	TERM APPL SPEC	FEED	APPL INSTRUCTION	SET UP GAGE	LAYOUT	
.195-.235	114-2088	.620	408-8318(-1) 408-127000(-2)	-	L1981	

QTY REQD PER ASSY	PART NO	DESCRIPTION	ITEM NO		
2	18029-2	M4 HEX NUT	128		
2	18025-2	M4 LOCK WASHER	127		
2	18027-2	M4 FLAT WASHER	126		
1	408-32162	THRU SPLICE IS SHEET-GII	125		
-	217238-1	GENERAL INSTRUCTION PACKAGE	124		
-	408-8318	THRU SPLICE IS SHEET	123		
-	408-127000	THRU SPLICE IS SHEET	122		
-	4-21028-0	PIN,SLT SPR(Ø093x.75)ST GDE PL	121		
-	-	-	120		
-	-	-	119		
-	-	-	118		
-	21024-5	WASHER, LOCK(#10)ADJ BLOCK	117		
-	-	-	116		
-	-	-	115		
-	21024-2	WASHER,LOCK(#4)FRONT STP GUIDE	114		
-	-	-	113		
-	AR	21899-2	WASHER,FLAT(#10)	112	
-	2	21024-4	WASHER,LOCK(#8)STRIPPER	111	
-	REF	1490705-1	KIT, WIRE SHELF	110	
-	-	-	109		
2	3-18023-3	SCR, SHC (M6x50)	108		
-	2	3-18023-1	SCR, SHC (M6x30)	107	
-	-	-	106		
-	AR	25527-3	TAPE, POLYURETHANE FOAM	105	
-	1	690701-2	PLATE, IDENTIFICATION	104	
-	-	-	103		
-	2	21017-2	SCR,DRIVE(#2x.19)ID PLATE	102	
-	AR	25527-3	TAPE, POLYURETHANE FOAM	101	
-	1	819347-1	PLATE, IDENTIFICATION	100	
-	2	3-21002-0	SCR,BHC(10-32x.88)DRAG	99	
-	1	22733-8	SCR,BHC(8-32x.38 LW)ANVIL	98	
-	-	-	97		
-	2	2-22733-8	SCR,BHC(1/4-20x.62)HSG	96	
-	1	2-21002-7	SCR,BHC(10-32x.50)SG ADJ BLK	95	
-	4	2-21002-2	SCR,BHC(8-32x.50)TERM H DWN	94	
-	4	1-21002-0	SCR,BHC(2-56x.25)	88	
-	-	-	87		
-	1	2-22603-1	SCR,HEX HD(8-32x.38)FEED FINGER	86	
-	2	1-21000-3	SCR,SHC(4-40x.25)F ST GUIDE	85	
-	1	2-21000-7	SCR,SHC(8-32x.50)STRIPPER	84	
-	-	-	83		
-	4	3-21000-4	SCR,SHC(10-32 X .38)	82	
-	1	3-22603-1	SCR, HEX (10-32X.38)SG ADJ BL	81	
-	1	3-21001-3	SCR,SHC(3/8-16X.88)	80	
-	1	21024-8	WASHER,LOCK(.375)	79	
-	1	1338118-1	MOUNT, STRIPPER	78	
-	2	1-21000-9	SCR, SHC 6-32x.38	77	
-	-	-	76		
-	-	-	75		
-	1	1338176-1	GUARD, EXTENSION	75	
-	1	1338177-1	DEFLECTOR	74	
-	2	21002-9	SCR,BHC(2-56 x .19)DEFL	73	
-	1	1338174-1	WINDOW, GUARD	72	
-	1	1338116-1	BRACKET, FEED	71	
-78	-77	-2	-1		

QTY REQD PER ASSY	PART NO	DESCRIPTION	ITEM NO
-78	-77	-2	-1

REVISIONS			
P	LR	DESCRIPTION	DATE
F1	ECR-19-015368		03OCT2019

QTY REQD PER ASSY	PART NO	DESCRIPTION	ITEM NO		
2	2	1-18023-3	SCR, SHC, M4 X 16	70	
1	1	2168489-1	ACTUATOR, SPARE MC1	69	
1	1	2161461-1	GUARD, EXTENSION	68	
1	1	2161460-1	GUARD	67	
-	1	371178	WASHER, SPACER	66	
-	1	461065-1	AIR FEED ASSY (1 INCH)	65	
-	-	-	-	64	
-	1	980285-2	ELBOW, SWIVEL 1/8 NPT - 1/4 T	63	
-	1	23238-1	QUICK DISCONNECT	62	
-	21.00	21.00	27319-4	TUBING, POLY-FLO Ø25	61
-	-	-	-	60	
-	-	-	-	59	
-	-	-	-	58	
-	-	-	-	57	
-	1	1-694433-6	PAWL, FEED	56	
-	-	-	-	55	
-	-	-	-	54	
-	1	1-461062-1	FEED FINGER ASSY	53	
-	-	-	-	52	
-	-	-	-	51	
-	-	-	-	50	
-	-	-	-	49	
-	1	22374-7	VALVE, QUICK EXHAUST	48	
-	1	22304-1	NIPPLE, HEX 1/8 NPT	47	
-	1	21004-9	SCR,SHLD(.31 X .50)WHEEL ADJ	46	
-	1	27058-2	BALL PLUNGER	45	
-	1	1338117-1	TOOL HOLDER	44	
-	1	1338124-1	WHEEL, ADJ	43	
-	-	-	-	42	
-	1	7-21002-7	BOLT, CRIMPER(5/16x.75)	41	
-	-	-	-	40	
-	-	-	-	39	
-	-	-	-	38	
-	-	-	-	37	
-	2	18027-4	WASHER, FLAT M6	36	
-	2	2-18023-9	SCR, SHC M6x20	35	
-	-	-	-	34	
-	1	1338397-1	PLATE, BASE	33	
-	1	690432-3	SCREW, ADJUSTMENT	32	
-	-	-	-	31	
-	1	455689-1	BLOCK, STRIP GUIDE ADJ	30	
-	1	455671-1	PLATE, STRIP GUIDE	29	
-	1	1-455888-1	SPACER, FRONT SHEAR DEP	28	
-	2	1-22284-0	SPRING, DRAG	27	
-	1	690546-1	LEVER, DRAG RELEASE	26	
-	1	240792-1	DRAG, TERMINAL	25	
-	1	6-690440-5	GUIDE, STRIP (REAR)	24	
-	1	690438-1	GUIDE, STRIP (FRONT)	23	
-	1	1338200-5	SPACER, WIRE CRIMPER	22	
-	-	-	-	21	
-	-	-	-	20	
-	1	1-690472-6	STRIPPER	19	
-	-	-	-	18	
-	-	-	-	17	
-	-	-	-	16	
-	-	-	-	15	
-	-	-	-	14	
-	-	-	-	13	
-	1	5-22280-0	SPRING, SHEAR	12	
-	1	690461-2	STOP, SHEAR	11	
-	1	1-690459-0	HOLDER, SHEAR (FRONT)	10	
-	1	454276-5	SHEAR, FLOAT (FRONT)	9	
-	1	8-683403-5	ANVIL	8	
-	-	-	-	7	
-	-	-	-	6	
-	1	1338126-2	DEPRESSOR, SHEAR (FRONT)	5	
-	AR	AR	1338200-3	SPACER	4
-	AR	AR	1338200-2	SPACER	3
-	AR	AR	1338200-1	SPACER	2
-	1	1	1338125-8	CRIMPER, WIRE	1

THIS DRAWING IS A CONTROLLED DOCUMENT.

APPROVED: B. HIGMAN, T. BENCHOFF

TE Connectivity

SIDE FEED THRU SPLICE APPLICATOR

SCALE: 1 OF 1

REV: F1