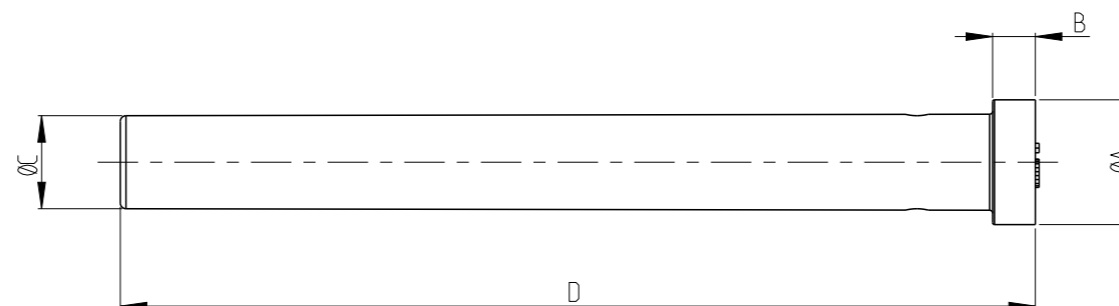
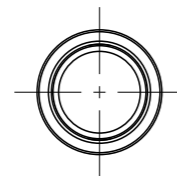
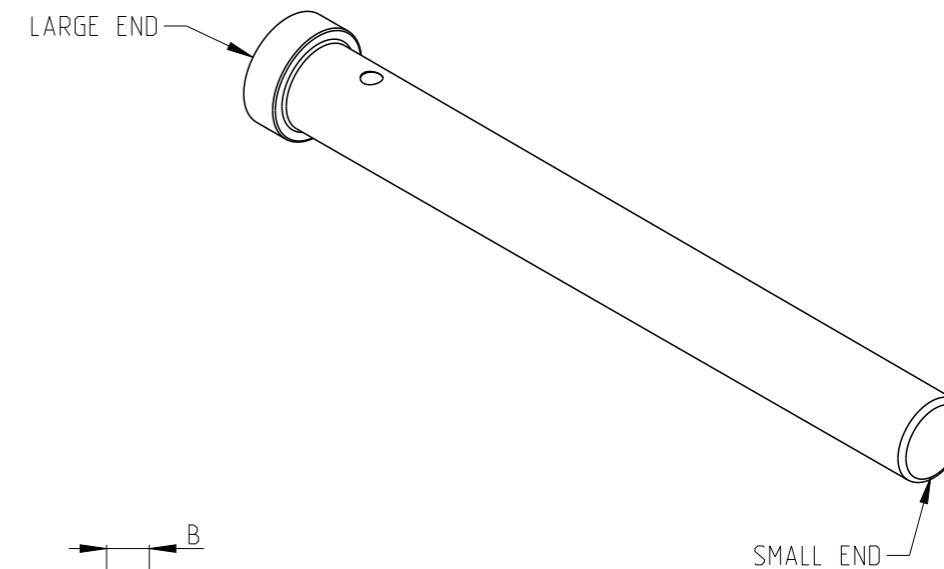


REVISIONS

P	LTR	DESCRIPTION	DATE	DWN	APVD
	A	INITIAL RELEASE	03SEP2020	J.G	I.Y



1. MATERIAL: PBT GF15, COLOR AND PN SEE TABLE
2. FOR LOCKING FUNCTION, INSERT LARGE END FIRST.
3. DRAWING NO. FOR NTS 20P: C-2350890 AND C-2350891
DRAWING NO. FOR NTS 48P: C-2366494 AND C-2366509

2373921-4	GREEN	SIZE 20 OF NTS 48P	2.54	0.85	1.84	27.8
2373921-3	BLUE	SIZE 16 OF NTS 48P	3.30	1.13	2.46	27.8
2373921-2	YELLOW	SIZE 20 OF NTS 20P	2.54	0.85	1.84	24.2
2373921-1	GREY	SIZE 16 OF NTS 20P	3.30	1.13	2.46	24.2
PN	COLOR	USED FOR	DIM A	DIM B	DIM C	DIM D

THIS DRAWING IS A CONTROLLED DOCUMENT.		DWN J.GU	03SEP2020				
DIMENSIONS: mm		CHK E. JIANG	03SEP2020				
		APVD I. YIN	03SEP2020				
TOLERANCES UNLESS OTHERWISE SPECIFIED: 0 PLC ±- 1 PLC ±0.3 2 PLC ±0.2 3 PLC ±- 4 PLC ±- ANGLES ±-		PRODUCT SPEC 108-160071	NAME NTS LOCKING SEALING PLUG				
MATERIAL -	FINISH -	APPLICATION SPEC 114-32209	WEIGHT -	SIZE A3	CAGE CODE 00779	DRAWING NO C-2373921	RESTRICTED TO -
CUSTOMER DRAWING			SCALE 5:1	SHEET 1 OF 1	REV A		