

6

5

4

3

2

1

E

E

D

D

C

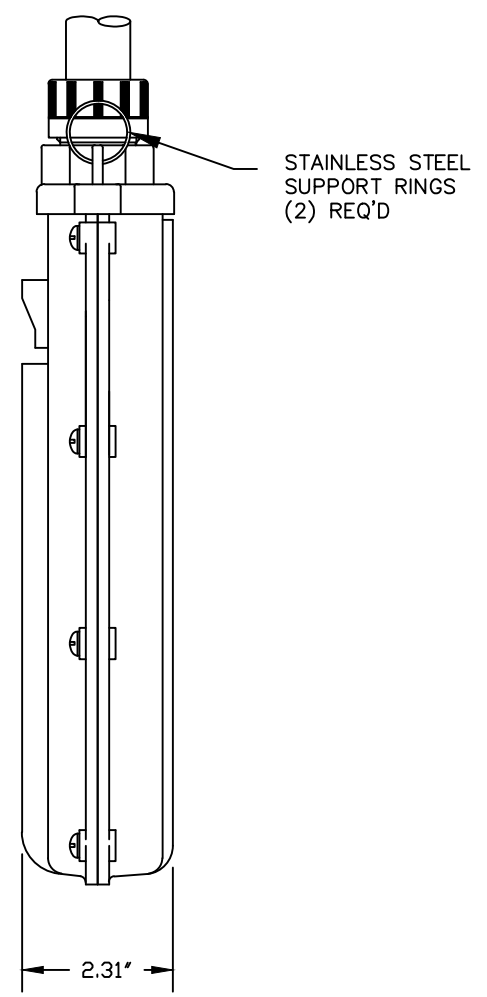
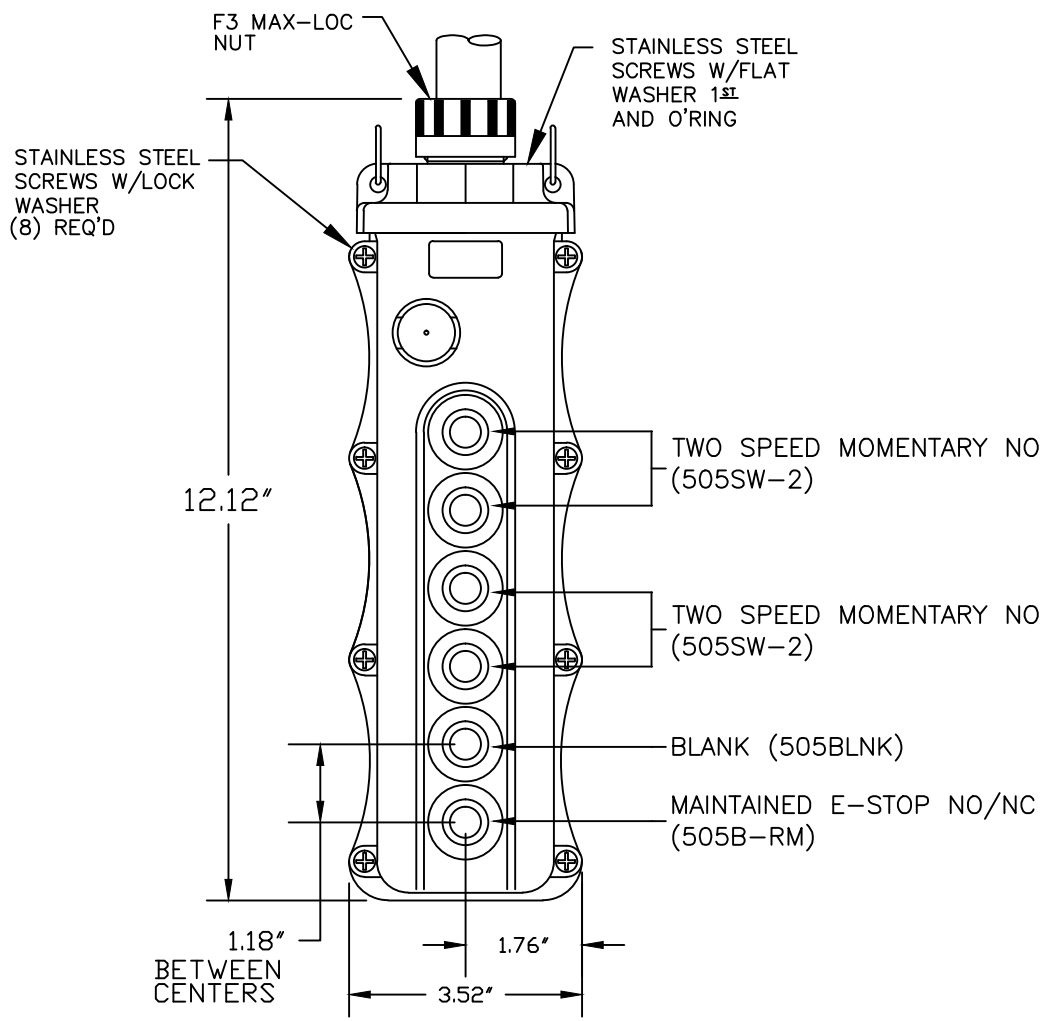
C

B

B

A

A



- NOTES:
1. INSTALLATION INSTRUCTIONS, BUTTON ID. LABELS. ARE PACK WITH THE PART.
 2. ALL BUTTONS ARE HIGH AMBIENT, CHEMICALLY RESISTANT MATERIAL - COLOR BLACK

RELEASE SALES DRAWING	EC NO: ICG2014-1733	DRWN: HRUIZ01	2014/04/03
	CHKD: HKNEELAN	APPR: JFMURPHY	2014/04/23
DESCRIPTION			
A			

QUALITY SYMBOLS	$\nabla=0$	$\sphericalangle=0$
-----------------	------------	---------------------

GENERAL TOLERANCES (UNLESS SPECIFIED)		
	mm	INCH
4 PLACES	±---	±---
3 PLACES	±---	±.005
2 PLACES	±---	±.010
1 PLACE	±---	±.020
ANGULAR ±1/2°		
DRAFT WHERE APPLICABLE MUST REMAIN WITHIN DIMENSIONS		

DIMENSION STYLE		INCH
DRAWN BY	DATE	
HRUIZ01	2014/04/03	
CHECKED BY	DATE	
HKNEELAN	2014/04/03	
APPROVED BY	DATE	
JFMURPHY	2014/04/23	
MATERIAL NO.		130126-0350
SIZE	A	

SCALE	NTS	DESIGN UNITS	INCH	THIRD ANGLE PROJECTION
TITLE				
5056 PENDANT STATION W/ (2)505SW-2 (1)505BLNK (1)505B-RM				
MOLEX INCORPORATED				
DOCUMENT NO.			SD-130126-065	SHEET NO.
				1 OF 1
THIS DRAWING CONTAINS INFORMATION THAT IS PROPRIETARY TO MOLEX INCORPORATED AND SHOULD NOT BE USED WITHOUT WRITTEN PERMISSION				

6

5

4

3

2

1