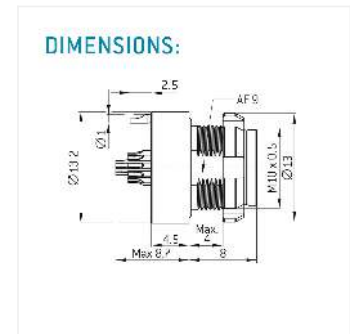
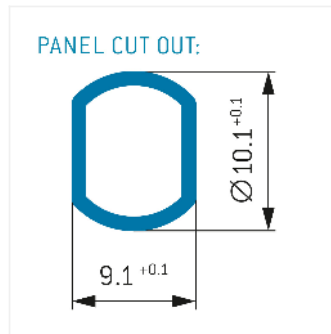
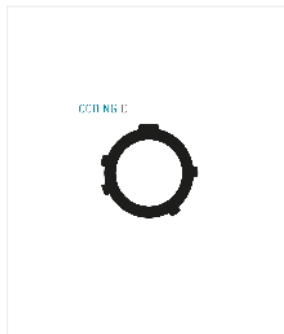


## General information

Part number	GKOWCM-P12WMM0-000L
Termination	solder
Size	0
Locking principle	break
Coding	c_key_amc
Cable Diameter	cable_amchd_0



## Contact insert description

Number of contacts	12
Contact type	sockets
Contact diameter	10_03_2_07mm
Insulator material	peek
Wire cross section	22_awg_28_awg
Termination	solder
Data transmission	usb_32

reverse\_gender\_on\_request

## Connection diagram

con\_usb\_32

## Technical information

Nominal current single contact	1.5 a	iec_60512_52
Test voltage	075_kv_dc	eia_364_20f

safety\_text

## Mechanical and environmental data

Degree of protection*	ipsk8_ip6k9k
Operating temperature	51_125_c
Mating cycles	5000

mated

## Material and surface treatments

Housing	ruthenium
Contact	cu_alloy_gold

data\_text

safety\_text 2  
data\_text  
ul\_text  
illustrative\_text