

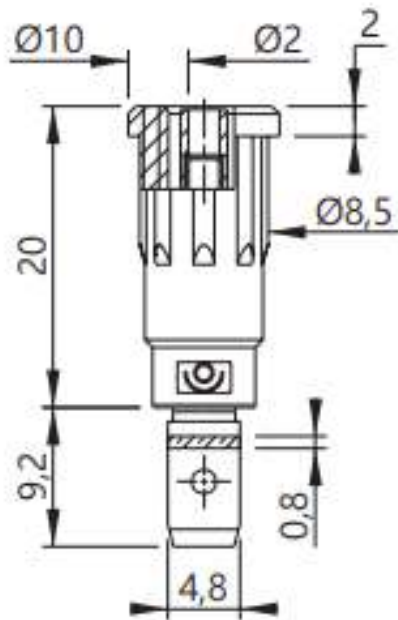
2 mm Push-in Safety Plug (Blade)

CT3078-#



Features:

- IEC Rating - 600 V CAT II
- Current Max - 10 A
- Contact Material - Brass, Ni Plated
- Insulation Material - Polypropylene (PP)
- RoHS 2 compliant
- CE compliant



Specifications and appearance subject to change without notice
D307801 041019

1 - www.caltestelectronics.com

Order Information:

CT3078-#

Push-in Safety Plug (Blade)

Color - replace '-#' with dash number:

-0 Black, -2 Red

Contact Info:

Toll Free: 800-572-1028 (US Only)

Phone: 714-221-9330

Fax: 714-921-9849

22820 Savi Ranch Parkway

Yorba Linda, CA 92887-4610 USA

www.caltestelectronics.com



Copyright © 2019, Cal Test Electronics, Inc. All rights reserved. Information in this publication supersedes that in all previously published material. Trade names referenced are the service marks, trademarks or registered trademarks of their respective companies.