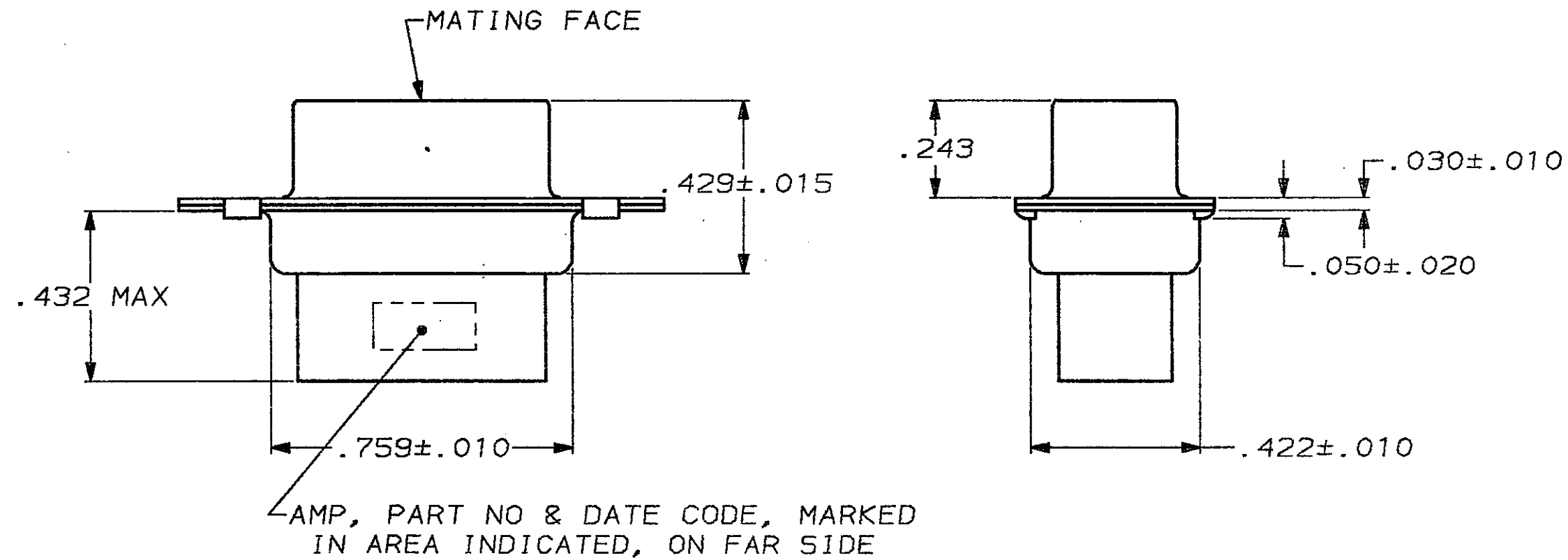
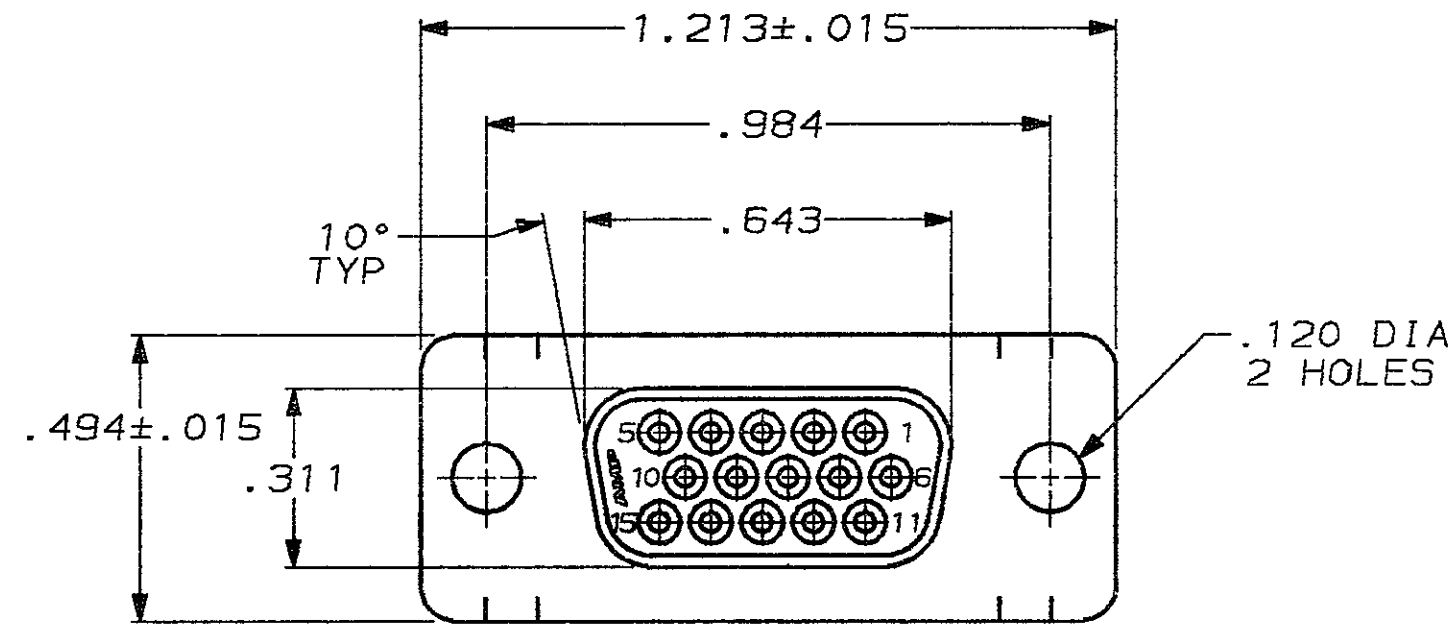


THIS DRAWING IS UNPUBLISHED. RELEASED FOR PUBLICATION .19  
 © COPYRIGHT 19 BY AMP INCORPORATED. ALL INTERNATIONAL RIGHTS RESERVED.

LOC		DIST		REVISIONS				DATE	APPD
BD	39	P	F	ZONE	LTR	DESCRIPTION			
					0	REL WAS 87-4870-13	-	-	



AMP, PART NO & DATE CODE, MARKED IN AREA INDICATED, ON FAR SIDE

1. CONNECTOR ACCEPTS SIZE 22 DF SOCKET CONTACTS, RETENTION TINES ARE AN INTEGRAL PART OF INSERT.
2. FLAME RETARDANT 94V-0 RATED GLASS FILLED NYLON, COLOR: BLACK.
3. STEEL PER ASTM A109.
4. TIN PLATED PER MIL-T-10727.

748565-1  
PART NO

DO NOT SCALE PRINT. UNLESS SPECIFIED DIMENSIONS IN INCHES TOLERANCES ON:  
 2 PLC DEC ± -  
 3 PLC DEC ± .005  
 ANGLES ± 2°

DR - *C. Richard* 1/12/88  
 CHK - *W.G. Lember* 1-14-88  
 APPD - *J. Anthony* 1/14/88  
 APPD - *V. Kumar* 1/19/88

**AMP** AMP INCORPORATED  
 Harrisburg, Pa. 17105

MATERIAL  
 MOLDED PARTS: 2  
 SHELLS: 3

NAME  
 RECEPTACLE CONNECTOR, SIZE 1, 15 POSN, AMPLIMITE® HDP-22

FINISH  
 SHELLS: 4

APPLICATION SPEC  
 WEIGHT -

SIZE	FSCM NO	DRAWING NO
C	00779	748565
SCALE	3:1	SHEET 1 OF 1