

4

3

2

1

THIS DRAWING IS UNPUBLISHED.

RELEASED FOR PUBLICATION

2011

LOC

DIST

REVISIONS

© COPYRIGHT 2011 BY - ALL RIGHTS RESERVED.

P	LTR	DESCRIPTION	DATE	DWN	APVD
E		UPDATED	20FEB2013	MZ	JC
F		PARTS -1, -2, -3 RELEASED FOR PRODUCTION	27JUN2013	KR	JC
F1		REVISED PART NUMBERS	17JUL2017	SK	MZ
F2		REVISED PER ECR-18-006945	20SEP2018	SR	MZ

NOTES:

1) MATERIAL: POLYAMIDE GLASS FILLED
COLOUR NATURAL

2) PACKAGING: SEE TE PACKAGING SPECIFICATION
107-20294

△3 N CODE

△4 L CODE

△5 PE CODE

△6 TE LOGO

△7 RATED VOLTAGE

△8 RATED CURRENT

VISUAL INDICATOR
FOR PE CONDUCTOR

OBSOLETE	NATURAL	D	PIN CONNECTOR PCB 90 DEG NECTOR* M-LINE	I	293590-4
	NATURAL	C	PIN CONNECTOR PCB 90 DEG NECTOR* M-LINE	F	293590-3
	NATURAL	B	PIN CONNECTOR PCB 90 DEG NECTOR* M-LINE	F	293590-2
	NATURAL	A	PIN CONNECTOR PCB 90 DEG NECTOR* M-LINE	F	293590-1
	COLOUR	POL. KEYING	DESCRIPTION	REV.	PART NUMBER

SCALE 1:1

THIS DRAWING IS A CONTROLLED DOCUMENT.

DIMENSIONS:	TOLERANCES UNLESS OTHERWISE SPECIFIED:
mm	
0 PLC	±-
1 PLC	±0.3
2 PLC	±0.20
3 PLC	±-
4 PLC	±-
ANGLES	±3°
MATERIAL	FINISH
-	-

DWN	M. ZUCCA	28OCT2009
CHK	M. ZUCCA	28OCT2009
APVD	G. TURCO	28OCT2009
PRODUCT SPEC	108-20304	
APPLICATION SPEC	114-20152	
WEIGHT	-	

STE TE Connectivity			
NAME PIN CONNECTOR PCB VERTICAL VERSION NECTOR* M-LINE 3 POS. UNSEALED			
SIZE	CAGE CODE	DRAWING NO	RESTRICTED TO
A3	00779	C-293590	-

Customer Drawing

SCALE 3:1

SHEET 1 OF 3

REV F2

1470-19 (3/11)

THIS DRAWING IS UNPUBLISHED.

RELEASED FOR PUBLICATION

2011

© COPYRIGHT 2011 BY -

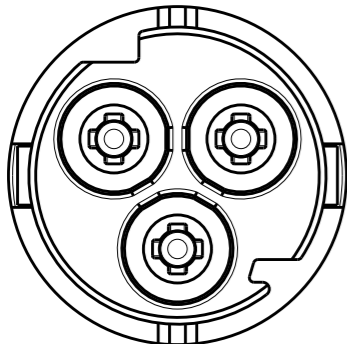
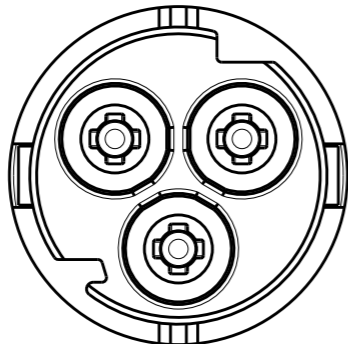
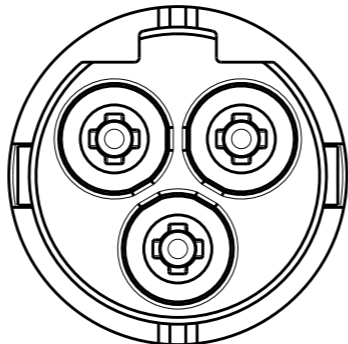
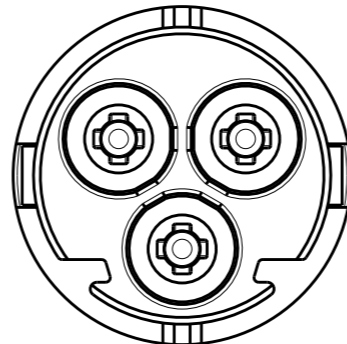
ALL RIGHTS RESERVED.

LOC DIST

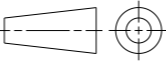
REVISIONS

P	LTR	DESCRIPTION	DATE	DWN	APVD
-		SEE SHEET 1	-	-	-

POLARIZATION KEYS

TYPE "A"	TYPE "B"	TYPE "C"	TYPE "D"
P/N 293590-1 AS SHOWN	P/N 293590-2 AS SHOWN	P/N 293590-3 AS SHOWN	P/N 293590-4 AS SHOWN
			

THIS DRAWING IS A CONTROLLED DOCUMENT.

DIMENSIONS: mm	TOLERANCES UNLESS OTHERWISE SPECIFIED:
	0 PLC ±-
	1 PLC ±0.3
	2 PLC ±0.20
	3 PLC ±-
	4 PLC ±-
	ANGLES ±3°

MATERIAL - FINISH -

DWN	M. ZUCCA	28OCT2009
CHK	M. ZUCCA	28OCT2009
APVD	G. TURCO	28OCT2009

PRODUCT SPEC	108-20304
APPLICATION SPEC	114-20152
WEIGHT	-

Customer Drawing



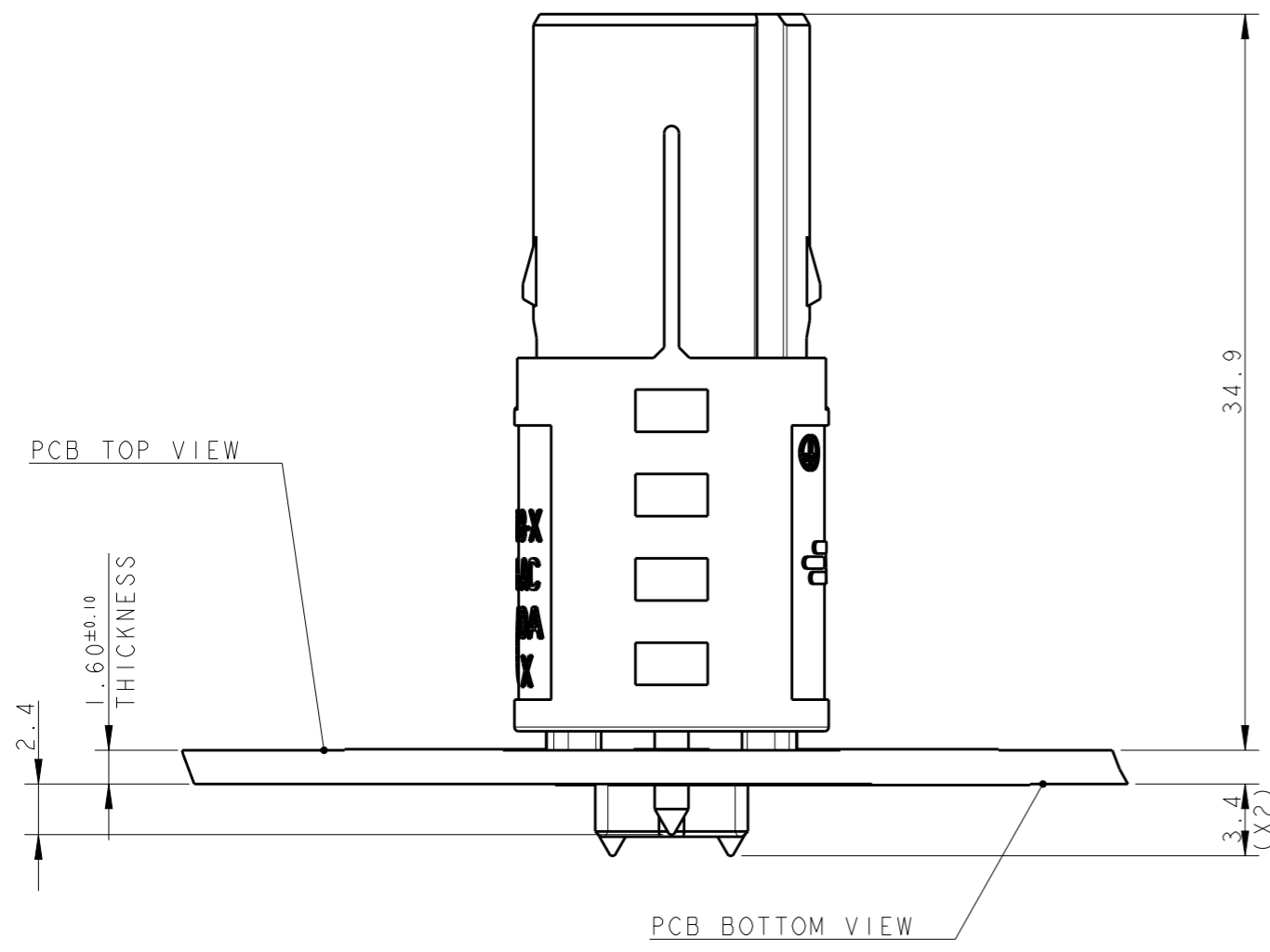
NAME
PIN CONNECTOR PCB
VERTICAL VERSION
NECTOR* M-LINE 3 POS. UNSEALED

SIZE	CAGE CODE	DRAWING NO	RESTRICTED TO
A3	00779	C-293590	-

SCALE 3:1 SHEET 2 OF 3 REV F2

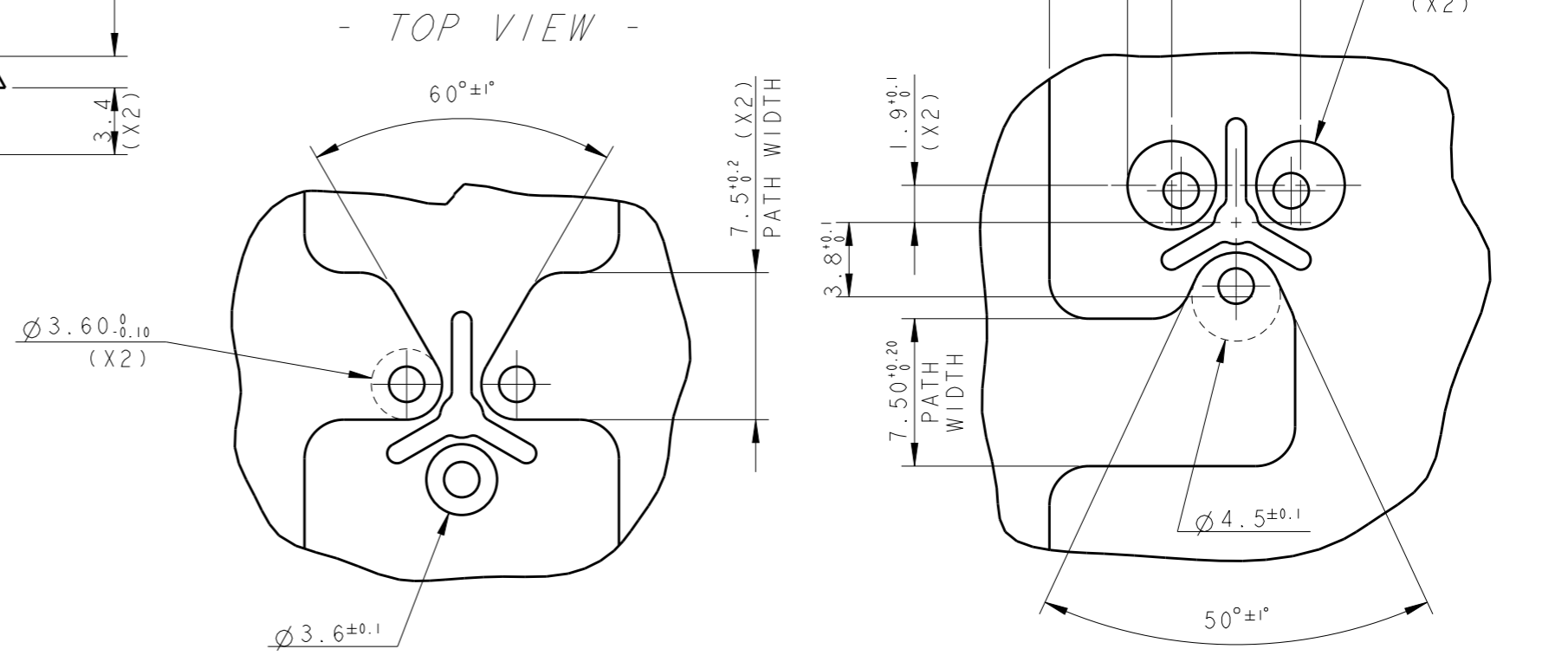
THIS DRAWING IS UNPUBLISHED. RELEASED FOR PUBLICATION 2011
 © COPYRIGHT 2011 BY - ALL RIGHTS RESERVED.

LOC		DIST		REVISIONS			
P	LTR	DESCRIPTION	DATE	DWN	APVD		
		SEE SHEET 1					

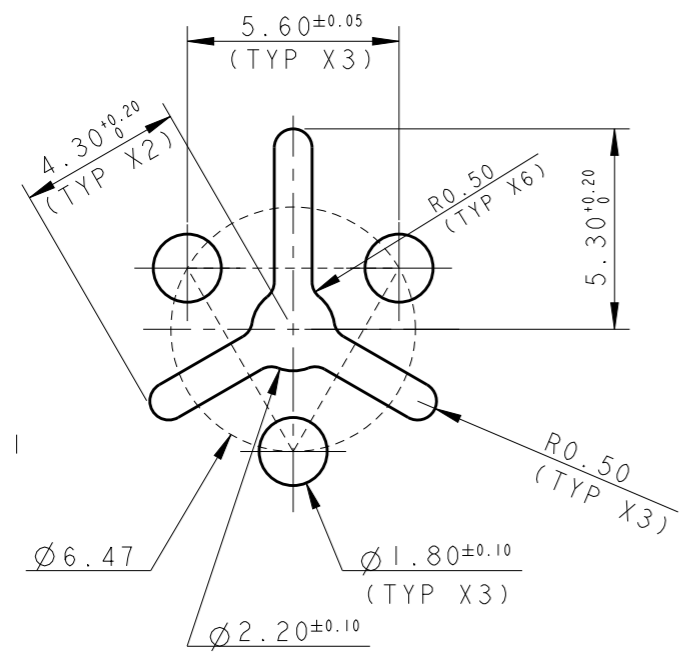


SUGGESTED L, N AND PE TRACKS LAYOUT ON PCB


- BOTTOM VIEW -



SUGGESTED PCB LAYOUT



SCALE 5:1

THIS DRAWING IS A CONTROLLED DOCUMENT.		DWN M. ZUCCA 28OCT2009	 TE Connectivity	
DIMENSIONS: mm		CHK M. ZUCCA 28OCT2009		
TOLERANCES UNLESS OTHERWISE SPECIFIED:		APVD G. TURCO 28OCT2009	NAME PIN CONNECTOR PCB VERTICAL VERSION NECTOR* M-LINE 3 POS. UNSEALED	
0 PLC ±- 1 PLC ±0.3 2 PLC ±0.20 3 PLC ±- 4 PLC ±- ANGLES ±3°		PRODUCT SPEC 108-20304	SIZE A300779	
MATERIAL -		APPLICATION SPEC 114-20152	DRAWING NO C-293590	
FINISH -		WEIGHT -	RESTRICTED TO -	
		Customer Drawing	SCALE 3:1	SHEET 3 OF 3
			REV F2	