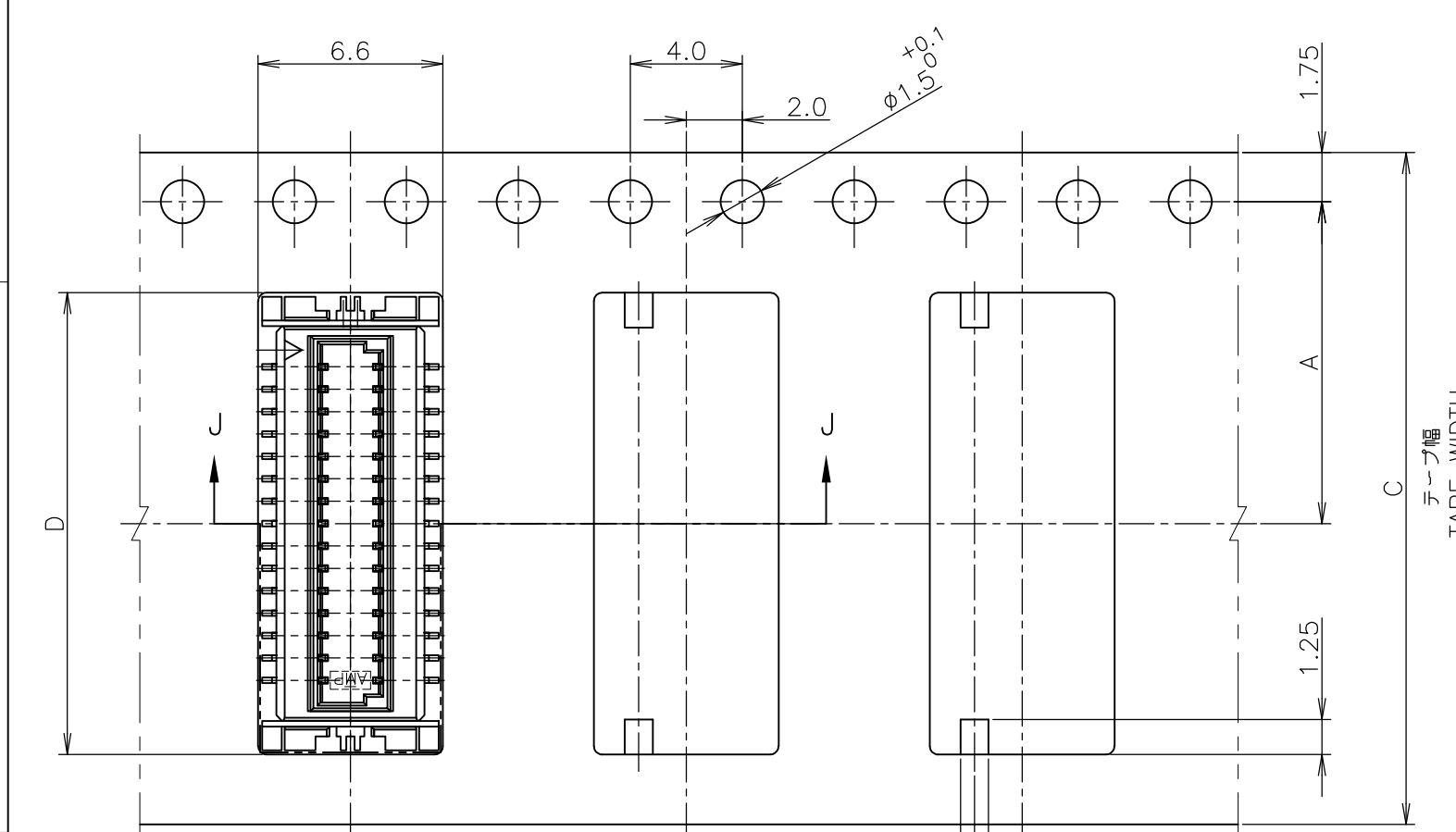
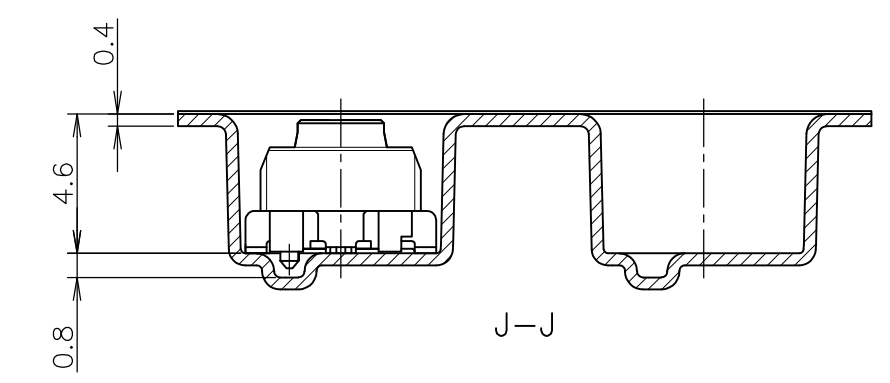


THIS DRAWING IS UNPUBLISHED. RELEASED FOR PUBLICATION DEC. 2004.  
 © COPYRIGHT 2004 By - ALL RIGHTS RESERVED.

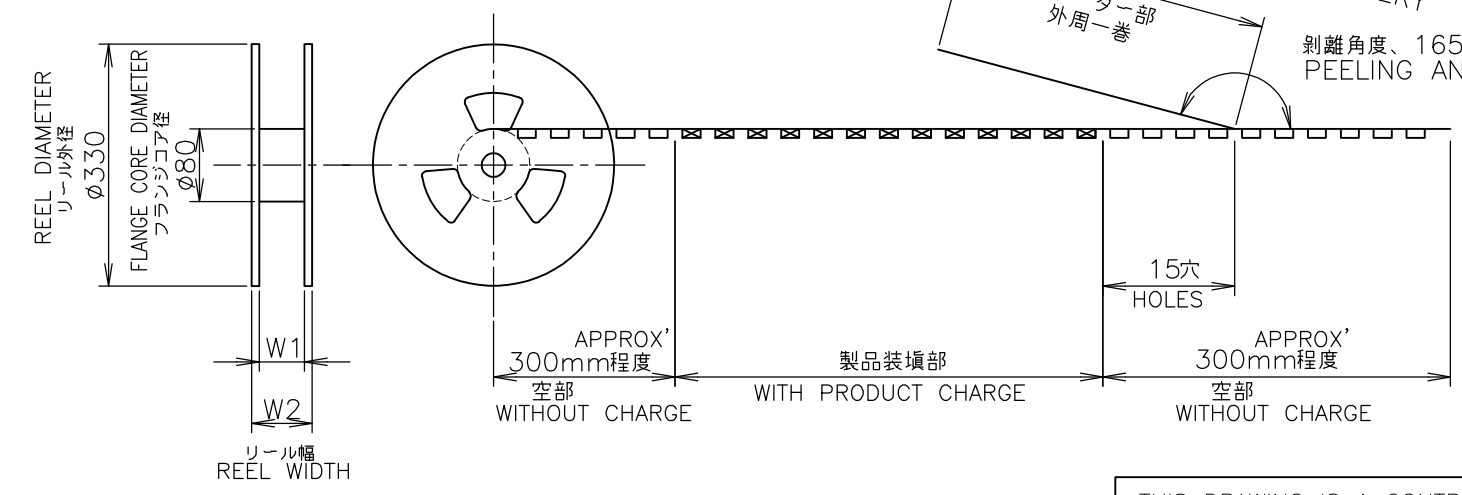
LOC	DIST	REVISIONS					
		P	LTR	DESCRIPTION	DATE	DWN	APVD
J		A1		REVISED ECR-14-013112	30JAN2015	I.T	W.H



TOP OF REEL  
引出し方向



WEEDING THE COVER TAPE AROUND THE OUTER PERIPHERY IN A TURN.  
 カバーテープ リーダー部 外周一巻  
 剥離角度、165°~180°  
 PEELING ANGLE.



INSTRUCTION SHEET 取扱説明書 411-5654	DIMENSIONS						数量 (ヶ) QTY/REEL	極数 POS	リール巻 コネクタ型番 TAPING P/N
	22.4	16.4	9.3	16	7.5	800			
① OBSOLETE	29.5	25.5	16.5	24	11.5	800	30	3-6376038-0	

THIS DRAWING IS A CONTROLLED DOCUMENT.

DIMENSIONS: 単位: 耗 mm	TOLERANCES UNLESS OTHERWISE SPECIFIED: 一般公差	DWN M.IWASAKI 27DEC04	 TE Connectivity エンボス詰 キャップ・アッセンブリ (ボス付) ON TAPING EMBOSS CAP ASSEMBLY WITH BOSS 0.8mm PITCH FINE STACK CONNECTOR MATING HEIGHT 5.0mm
	0 PLC ± 0.2	CHK Y.NAKAZAWA 27DEC04	
	1 PLC ± 0.2	APVD T.KUSUHARA 27DEC04	
MATERIAL 材料	FINISH 仕上	PRODUCT SPEC 製品規格 108-5424	
	2 PLC ± 0.2	APPLICATION SPEC 取付適用規格	SIZE
	3 PLC ± 0.2	WEIGHT	CAGE CODE
	4 PLC ± 0.2		DRAWING NO 番号
	ANGLES ± 3°		RESTRICTED TO
		CUSTOMER DRAWING	SCALE 尺度 4:1
			SHEET 1 OF 3
			REV A1

THIS DRAWING IS UNPUBLISHED.

RELEASED FOR PUBLICATION

DEC. 2004.

LOC J DIST

REVISIONS

変更

DESCRIPTION

DATE

DWN

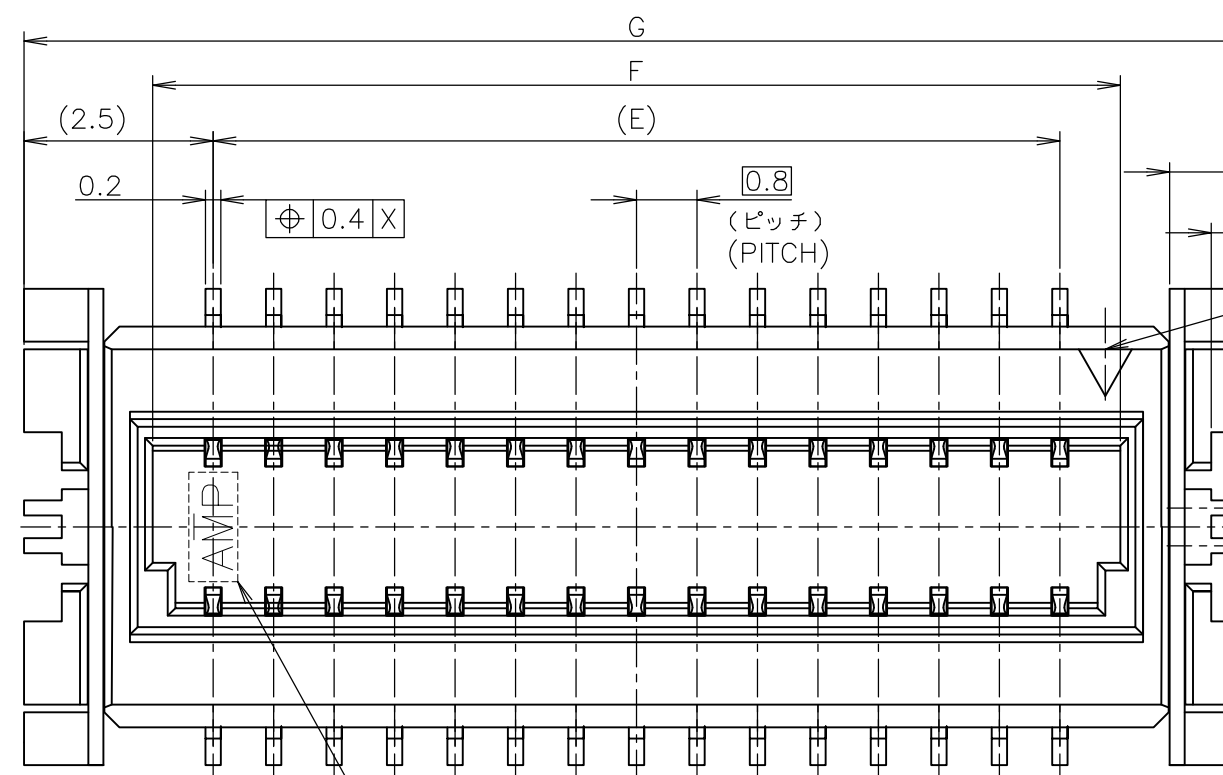
APVD

© COPYRIGHT 2004 By -

ALL RIGHTS RESERVED.

P	LTR	DESCRIPTION	DATE	DWN	APVD
-	-	SEE SHEET 1	-	-	-

本図：コネクタ図  
AS SHOWN: CONNECTOR DWG



-X-

1.05

0.5

回路番号1マーク  
CIRCUIT NO.1 MARK

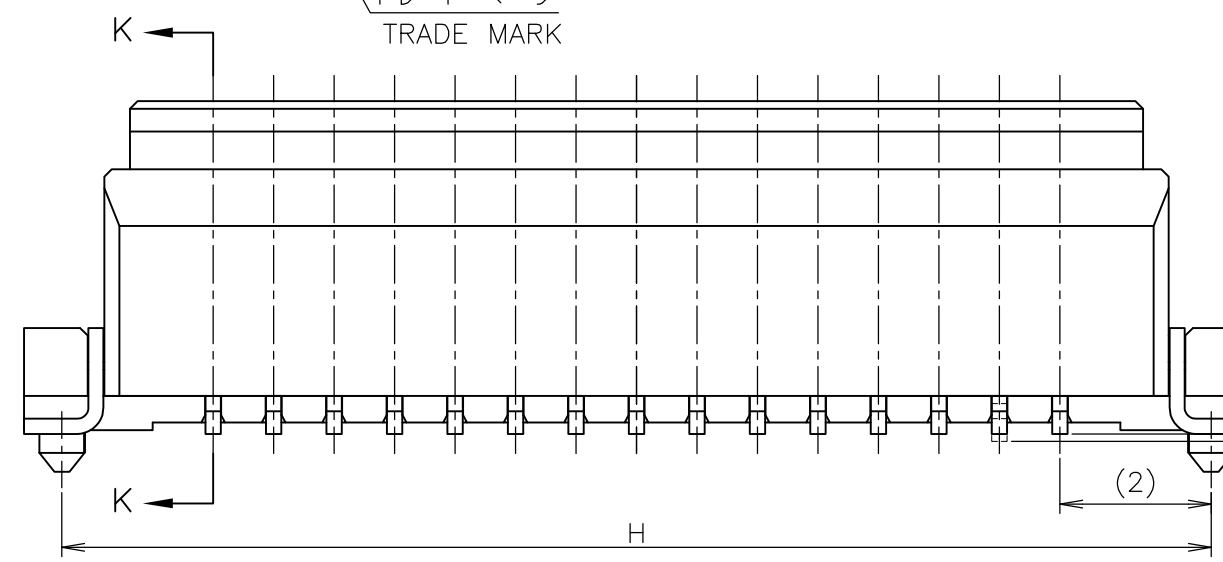
0.2

0.5

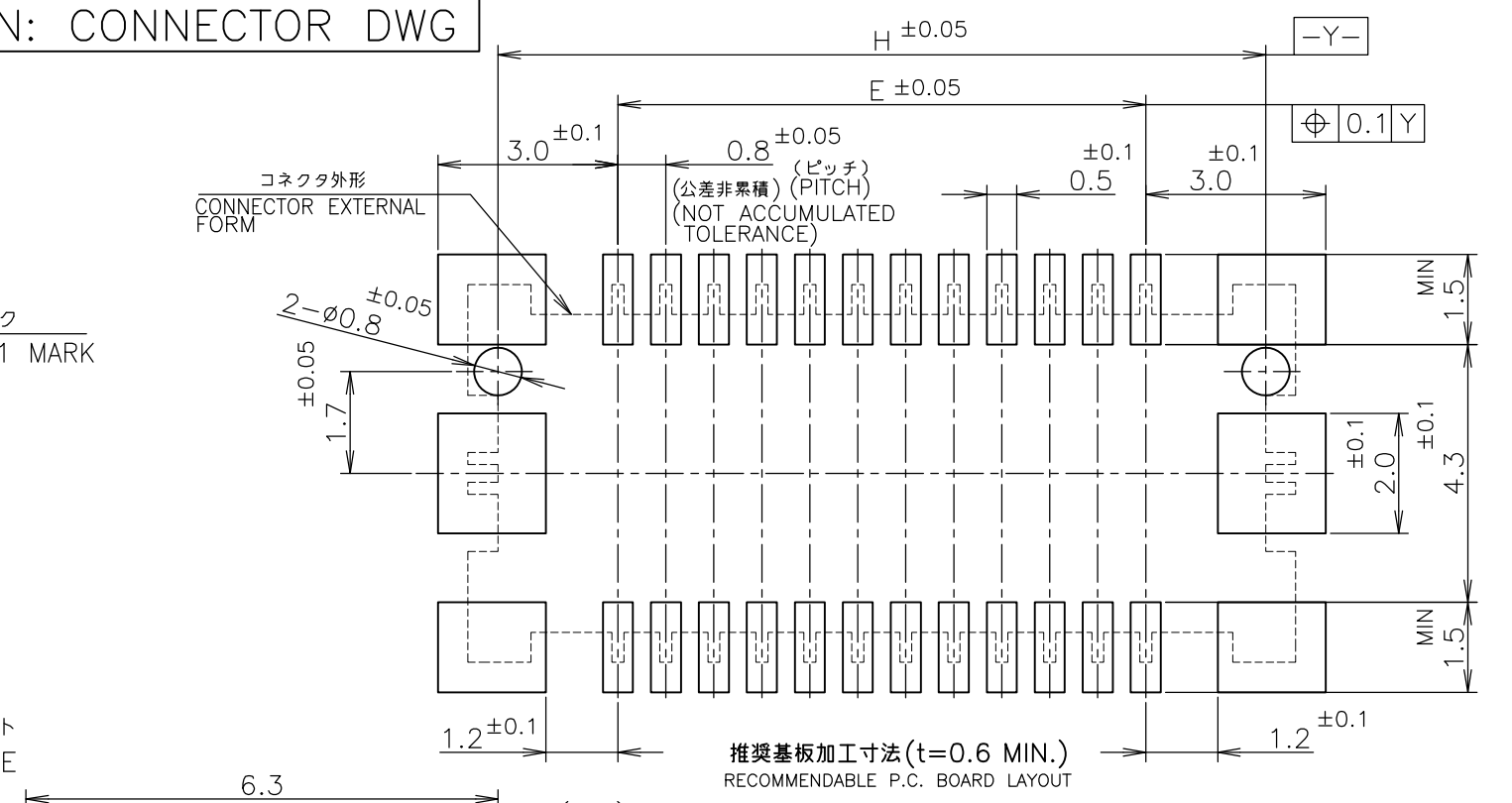
0.2

テールプレート  
TAIL PLATE

トレード・マーク  
TRADE MARK



0.1 MAX  
(TINE ALIGNMENT)



コネクタ外形  
CONNECTOR EXTERNAL FORM

2-φ0.8

±0.05

1.7

±0.05

H ±0.05

E ±0.05

0.8 ±0.05  
(ピッチ)  
(公差非累積)  
(NOT ACCUMULATED TOLERANCE)

±0.1

±0.1

±0.1

±0.1

3.0

±0.1

±0.1

±0.1

±0.1

±0.1

±0.1

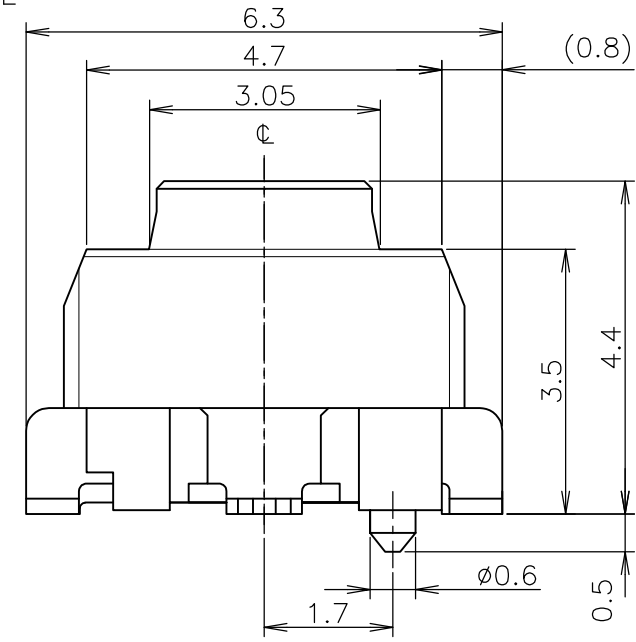
±0.1

±0.1

±0.1

±0.1

推奨基板加工寸法 (t=0.6 MIN.)  
RECOMMENDABLE P.C. BOARD LAYOUT



6.3

4.7

3.05

ε

3.5

4.4

1.7

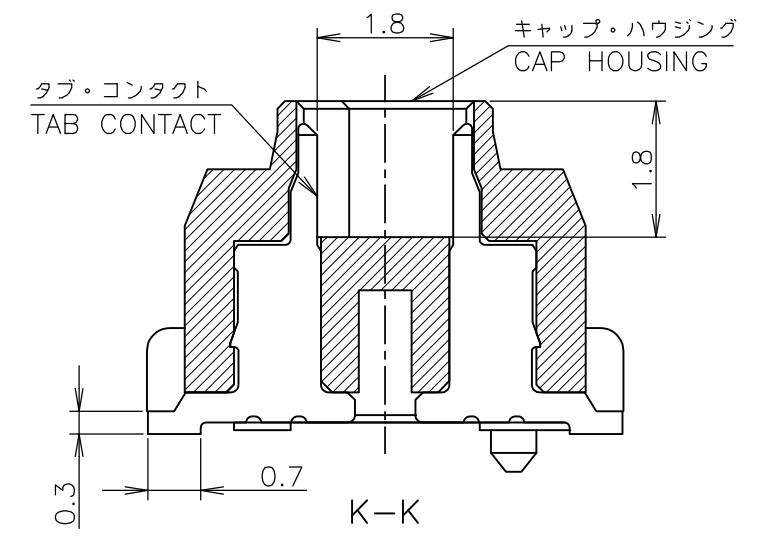
0.5

φ0.6

0.5

1.7

(0.8)



タブ・コンタクト  
TAB CONTACT

キャップ・ハウジング  
CAP HOUSING

1.8

1.8

1.8

0.3

0.7

0.3

0.7

0.3

0.7

0.3

0.7

0.3

0.7

0.3

0.7

0.3

0.7

0.3

0.7

0.3

0.7

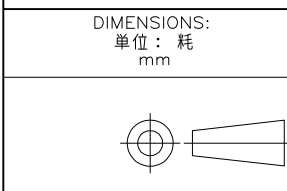
△ 材料：ハウジング - 6T NYLON (高耐熱性ナイロン)  
ガラス30%, 色: ベージュ  
コンタクト - 銅合金・錫めっき (0.2t)  
テールプレート - 銅合金・錫めっき (0.2t)

△ MATERIAL: HOUSING - 6T NYLON (HIGH HEAT-RESISTED NYLON), GF30%,  
COLOR: BEIGE.  
CONTACT - POST-TIN/COPPER ALLOY (0.2t)  
TAIL PLATE - POST-TIN/COPPER ALLOY (0.2t)

INSTRUCTION SHEET  
取扱説明書  
411-5654

-	8	9	5.6	4	12	1-6376038-2
0.502	15.2	16.2	12.8	11.2	30	3-6376038-0
重量 (g) WEIGHT	H	G	F	E	極数 POS.	型番 PART NO.

THIS DRAWING IS A CONTROLLED DOCUMENT.



MATERIAL  
材料

TOLERANCES UNLESS OTHERWISE SPECIFIED:  
一般公差  
0 PLC ± 0.2  
1 PLC ± 0.2  
2 PLC ± 0.2  
3 PLC ± 0.2  
4 PLC ± 0.2  
PLC ANGLES ± 3°

FINISH  
仕上

DWN  
CHK  
APVD  
PRODUCT SPEC  
製品規格  
108-5424  
APPLICATION SPEC  
取付適用規格  
WEIGHT  
CUSTOMER DRAWING

**STE** TE Connectivity

名称  
エンボス詰 キャップ・アッセンブリ (ボス付)  
ON TAPING EMBOSS CAP ASSEMBLY WITH BOSS  
製品規格  
0.8mm PITCH FINE STACK CONNECTOR  
取付適用規格  
MATING HEIGHT 5.0mm

SIZE	CAGE CODE	DRAWING NO 番号	RESTRICTED TO
A3	00779	C-6376038	-

SCALE 尺度 10:1 SHEET 2 OF 3 REV A1

THIS DRAWING IS UNPUBLISHED.

RELEASED FOR PUBLICATION DEC ,2004.

© COPYRIGHT 2004 By -

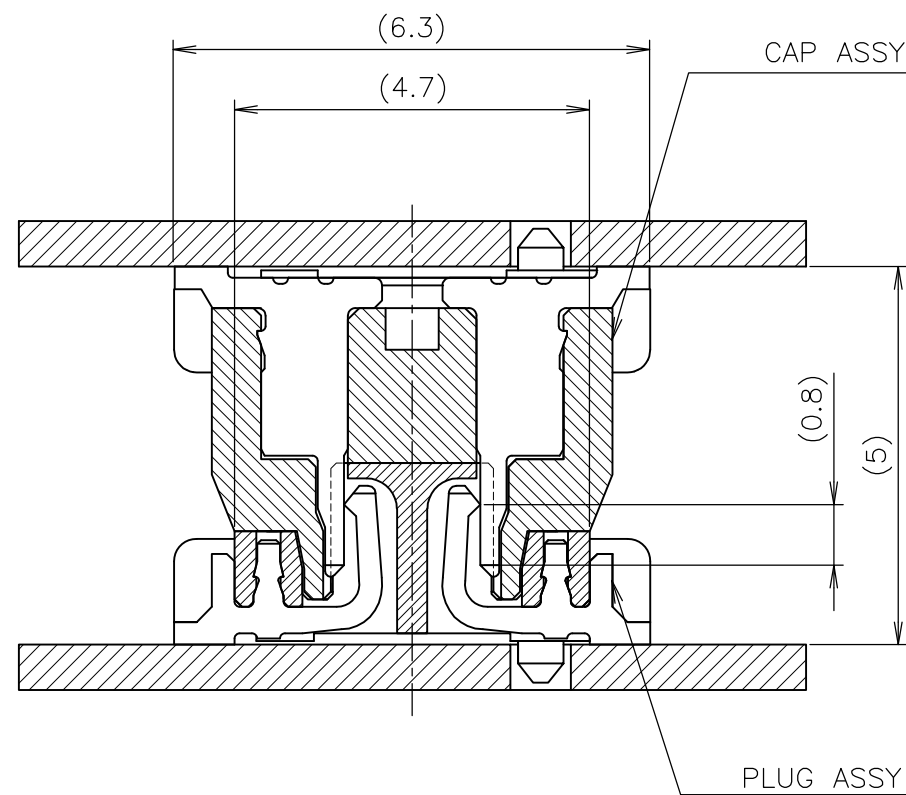
ALL RIGHTS RESERVED.

LOC J  
DIST

REVISIONS  
変更

P	LTR	DESCRIPTION	DATE	DWN	APVD
-	-	SEE SHEET 1	-	-	-

0.8mm PITCH FINE STACK CONNECTOR  
(MATING HEIGHT 5.0mm)



嵌合状態図

THIS DRAWING IS A CONTROLLED DOCUMENT.		DWN	<b>STE</b> TE Connectivity		
DIMENSIONS: 単位: 耗 mm		CHK			
TOLERANCES UNLESS OTHERWISE SPECIFIED: 一般公差		APVD	NAME 名称 エンボス詰 キャップ・アッセンブリ (ボス付) ON TAPING EMBOSS CAP ASSEMBLY WITH BOSS		
0 PLC ± 0.2		PRODUCT SPEC 製品規格	0.8mm PITCH FINE STACK CONNECTOR		
1 PLC ± 0.2		108-5424	MATING HEIGHT 5.0mm		
2 PLC ± 0.2		APPLICATION SPEC 取付適用規格	SIZE	CAGE CODE	DRAWING NO 番号
3 PLC ± 0.2		WEIGHT	A3	00779	G-6376038
4 PLC ± 0.2		CUSTOMER DRAWING	SCALE 尺度 NTS		SHEET 3 OF 3
ANGLES ± 3°			REV A1		RESTRICTED TO -
MATERIAL 材料	FINISH 仕上				