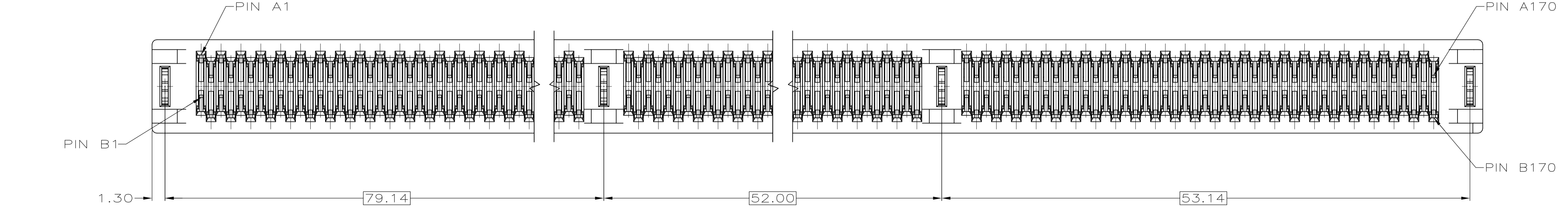
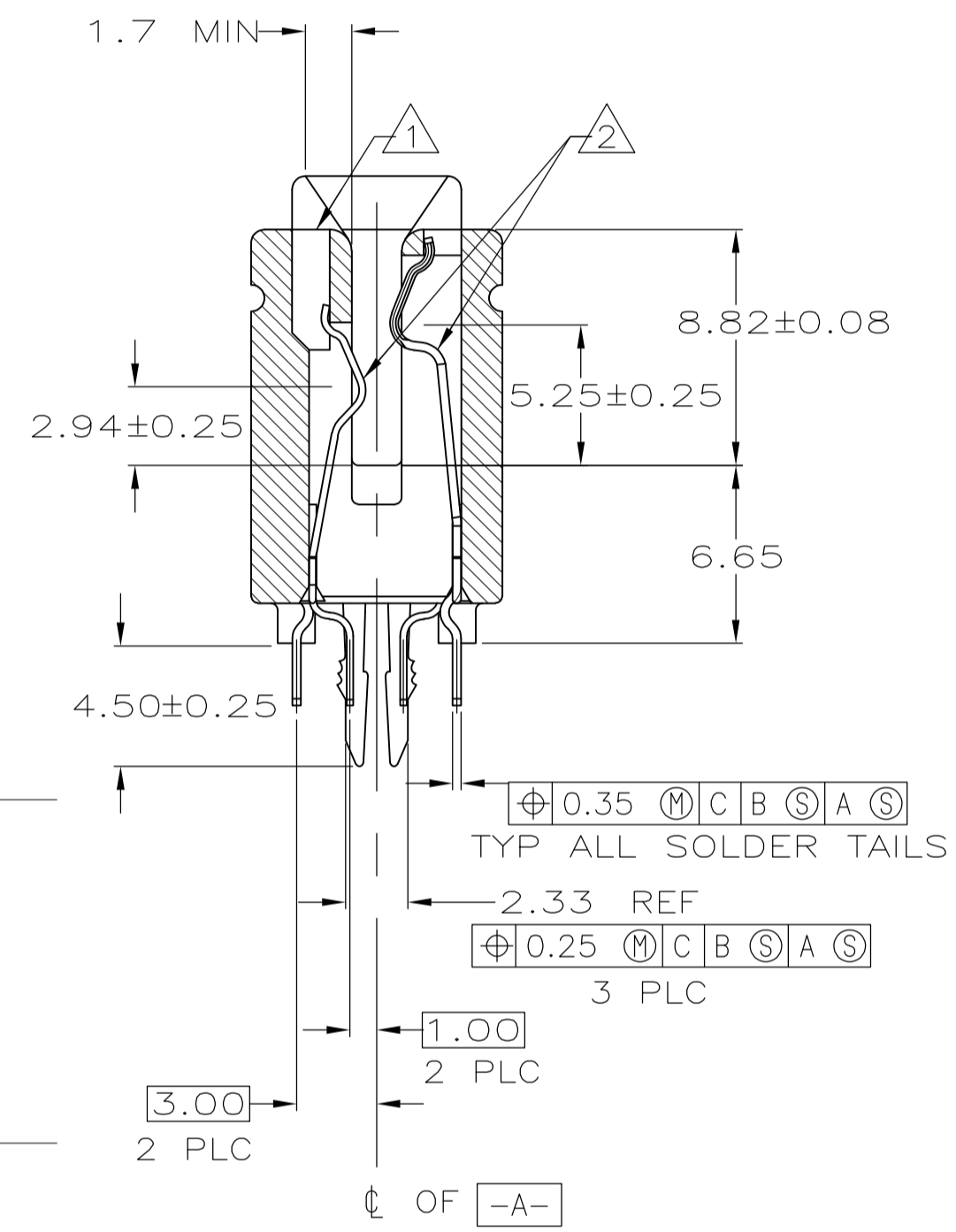
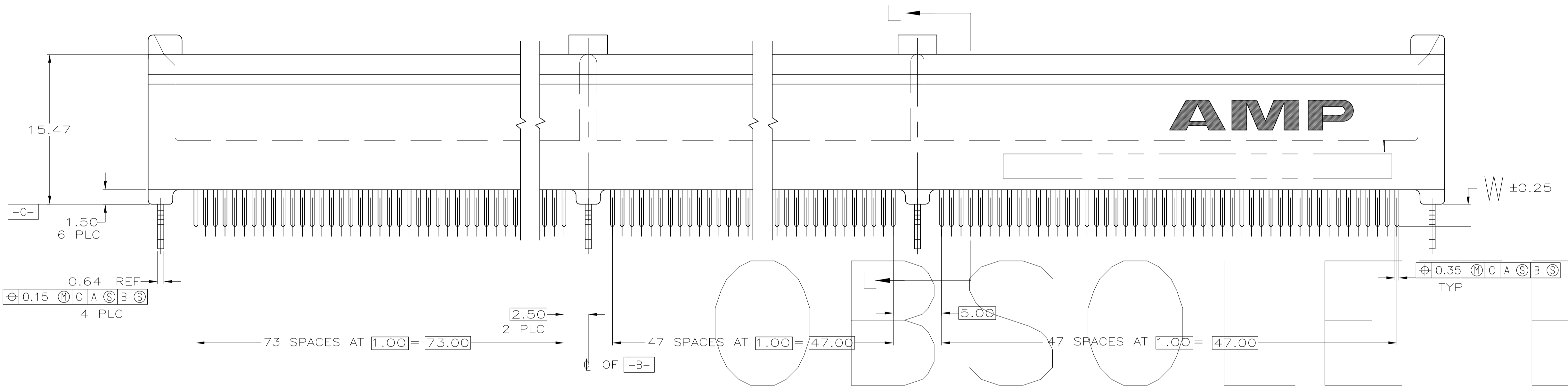
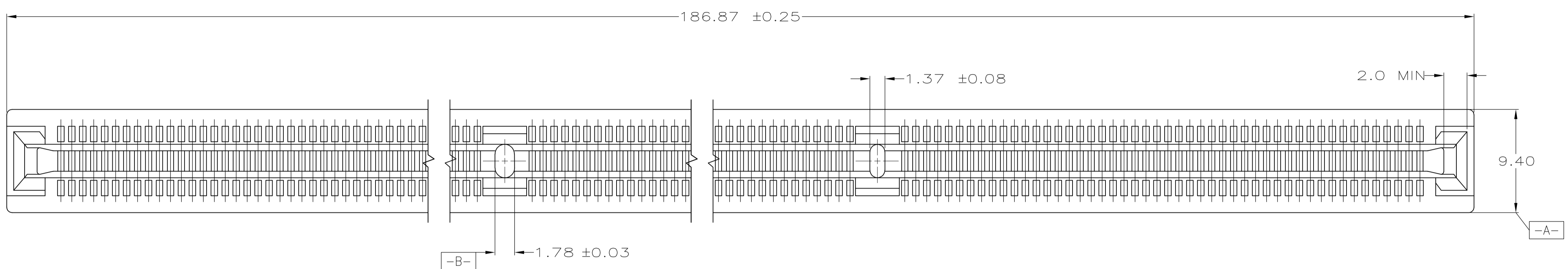


REVISIONS					
REV	DATE	DESCRIPTION	BY	CHK	APPV
Q	1/7/97	PRODUCT RELEASE	RB	MB	
A	2/3/97	REVISED PER 0430-0045-97	RB	MB	
B	8/14/97	REVISED PER 0430-0286-97	RB	MB	
C	11/12/97	REVISED PER 0430-0435-97	RB	MB	
D	4/20/98	REVISED PER 0G51-0045-98	RB	DD	
E	8/4/98	REVISED PER 0G51-0107-98	RB	DD	
F	01/17/99	REV PER EC 0G51-0226-98	MM	EL	
G	01/20/99	REV PER EC 0G51-0294-98	MM	DD	
H	05/17/99	REV PER 0G51-0062-99	MM	EL	
H1	13JAN10	REV PER ECO-10-000443	KK	AEG	
J	06DEC10	REVISED ECR-10-002742	AZ	MW	
J1	09MAY2017	OBSOLETE PER ECR-17-006482	SZ	SZ	



- △ MATERIAL: HOUSING, THERMOPLASTIC, COLOR: BROWN. CONTACTS, PHOSPHOR BRONZE. HOLD-DOWNS, BRASS.
- △ FINISH: CONTACTS, 1.27 MIN. MICROMETERS NICKEL ALL OVER, 0.38 MIN. MICROMETERS GOLD OVER NICKEL IN CONTACT AREA, 2.54 MIN MICROMETERS TIN-LEAD OVER NICKEL ON SOLDER TAILS.
- △ FINISH: CONTACTS, 1.27 MIN. MICROMETERS NICKEL ALL OVER, 0.0254-0.0762 MICROMETERS GOLD OVER NICKEL IN CONTACT AREA, 2.54 MIN. MICROMETERS TIN-LEAD OVER NICKEL ON SOLDER TAILS.
- △ OBSOLETE PARTS: OBSOLETE CIS STREAMLINING PER D.RENAUD/D.SINISI

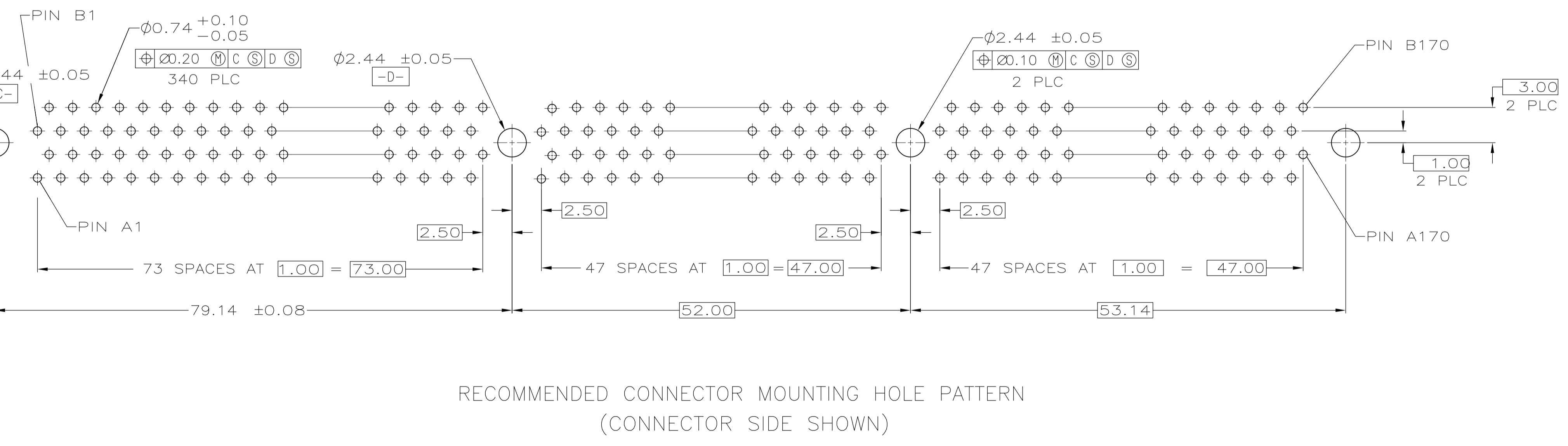
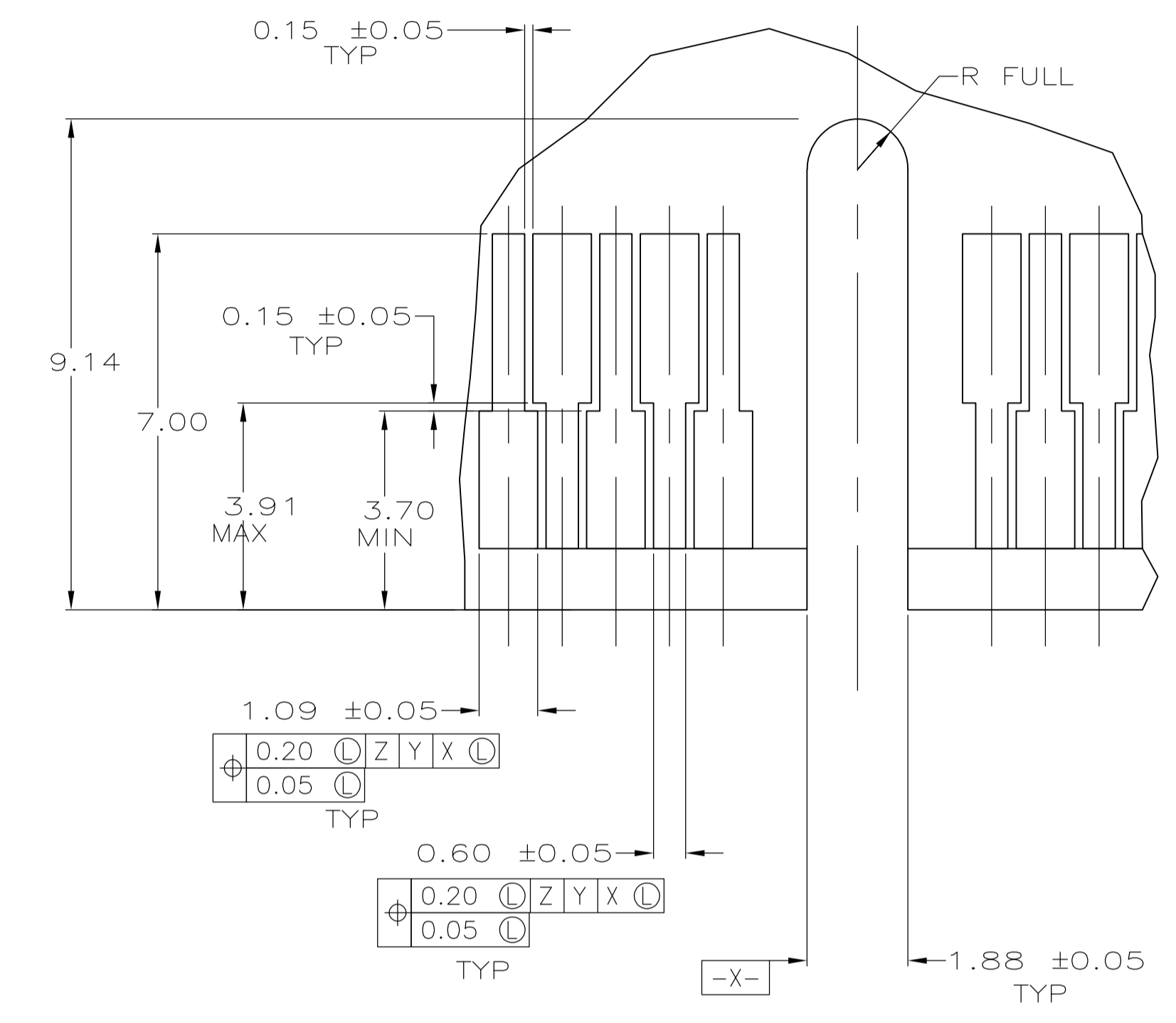
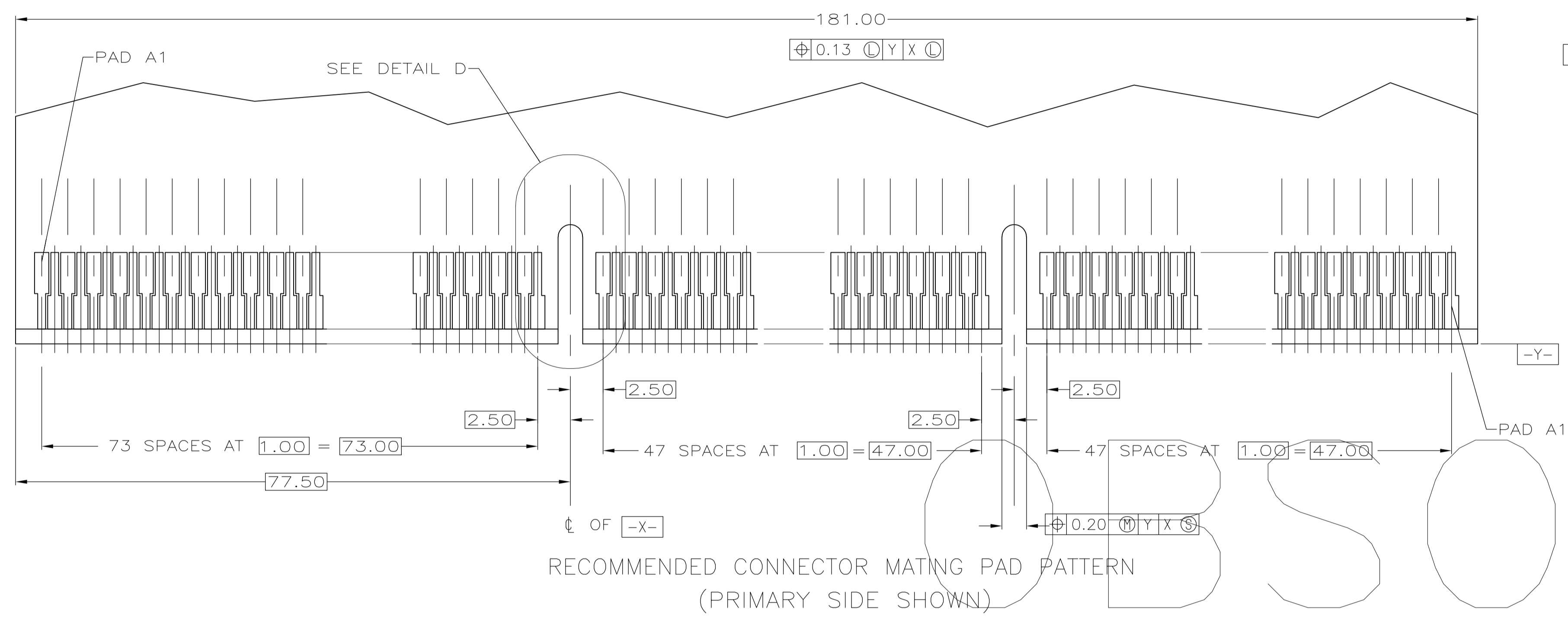
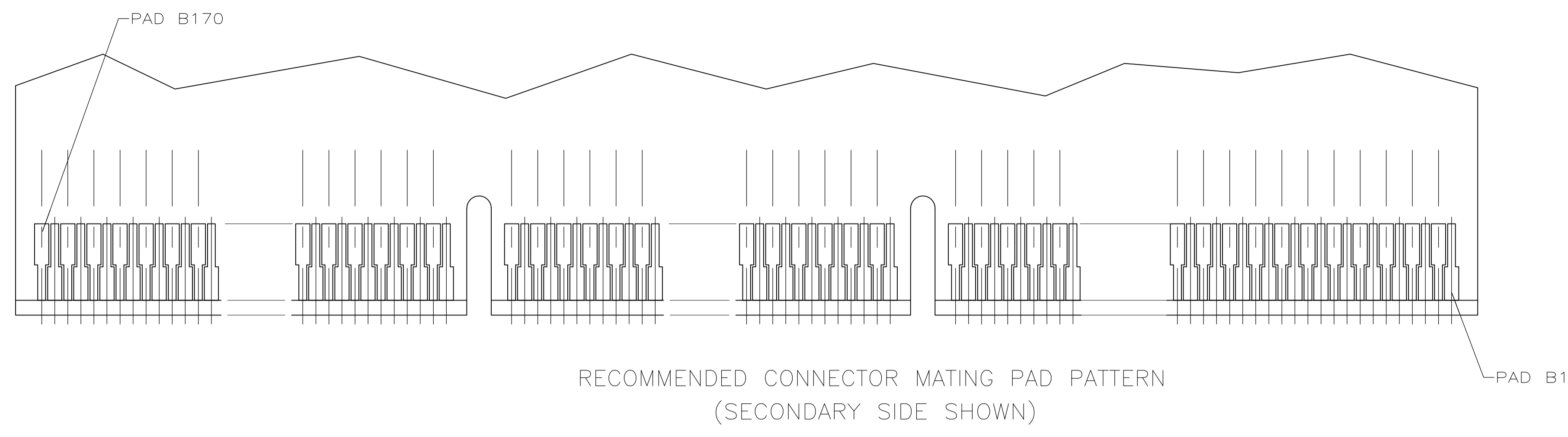
△ 4	△ 3	3.18	145275-6
△ 4	△ 3	2.54	145275-5
△ 4	△ 3	3.18	145275-3
△ 4	△ 3	2.54	145275-2
△ 4	△ 3	2.16	145275-1
	PLATING	W	PART NO

THIS DRAWING IS A CONTROLLED DOCUMENT.

DIMENSIONS:	TOLERANCES UNLESS OTHERWISE SPECIFIED:	DIN R BROWN 1/7/97	APVD D SARVER 1/7/97	NAME	ASSEMBLY, 340 POSITION 1mm, CARD EDGE CONNECTOR
mm	0 PLC ± - 1 PLC ± - 2 PLC ± 0.13 3 PLC ± 0.013 4 PLC ± - ± 2°	CHK M BOWERS	APVD D SARVER 1/7/97	SIZE	A1
MATERIAL	FINISH	WEIGHT	0	CAGE CODE	00779
△	△ △ 2	DRAWING NO	145275	SCALE	4:1
CUSTOMER DRAWING		SHEET 1 OF 2		REV J1	

STC TE Connectivity

REVISIONS				
#	LR	DESCRIPTION	DATE	OWN APVD
-	-	SEE SHEET 1	-	-



THIS DRAWING IS A CONTROLLED DOCUMENT.		OWN: R BROWN 1/7/97	TE Connectivity	
DIMENSIONS: mm		CHK: M BOWERS 1/7/97	NAME: ASSEMBLY, 340 POSITION 1mm CARD EDGE CONNECTOR	
TOLERANCES UNLESS OTHERWISE SPECIFIED:		APP'D: D SARVER 1/7/97	PRODUCT SPEC: -	
0 PLC ± - 1 PLC ± - 2 PLC ± 0.13 3 PLC ± - 4 PLC ± - ANGLES ± 2°		APPLICATION SPEC: -		
MATERIAL: -	FINISH: Δ Δ 2	WEIGHT: -	SIZE: A1	CAGE CODE: 00779
CUSTOMER DRAWING		SCALE: 4:1	SHEET: 2 OF 2	REV: -