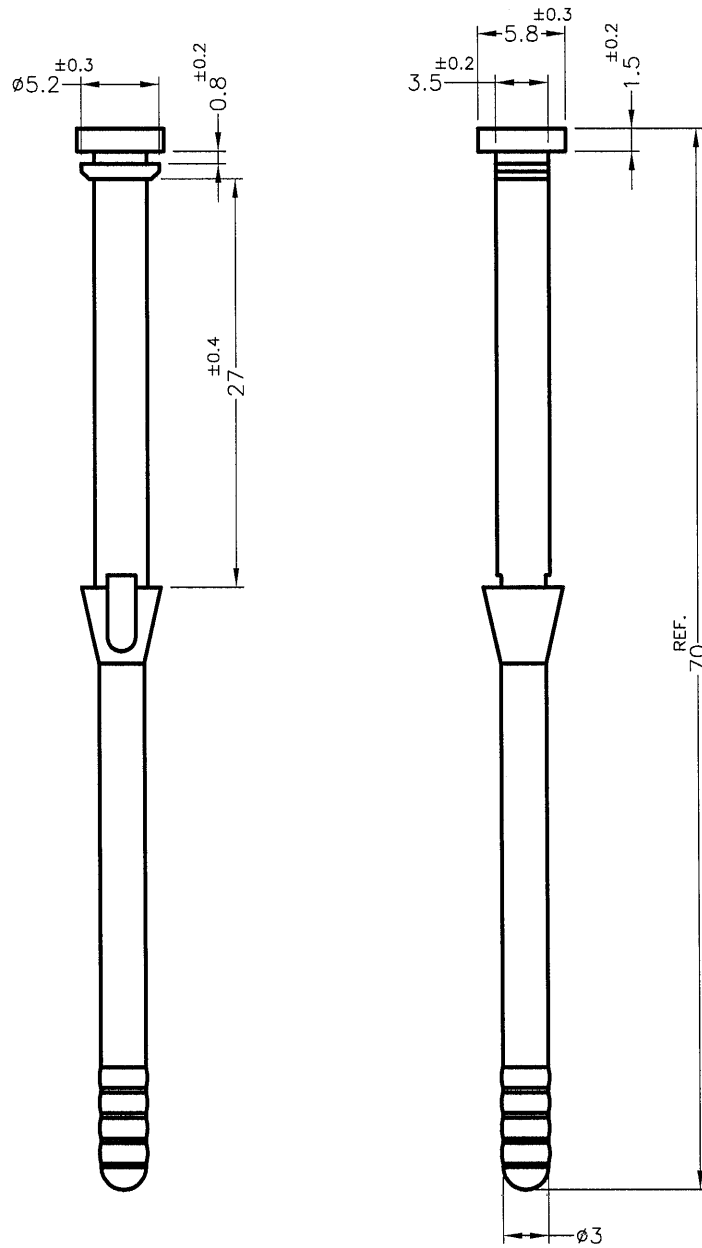

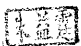



| REVISIONS | | | |
|-----------|-------------|------|----|
| REV | DESCRIPTION | DATE | BY |
| | | | |
| | | | |



| PART NO. | HARDNESS |
|------------|----------|
| BUB-70G(B) | 45°±10° |
| BUB-70H | 55°±10° |

NOTE: MADE OF EQUIVALENT MATERIAL.
均可使用同等材質.

| | | | | | | | |
|--|-----------|----------------|--------|--------------------------------------|----------------|------------|---|
|  <p>康揚企業股份有限公司 KANG YANG HARDWARE ENTERPRISE CO., LTD. 康揚塑膠(東莞)有限公司 KANG YANG PLASTIC(DONG GUAN) CO., LTD. 康哲電腦配件(吳江)有限公司 KANG CHE COMPUTER COMPONENTS(WUJIANG) CO., LTD.</p> | | | | TITLE | FAN SNAP RIVET | SPEC. DWG. | |
| | | | | MATERIAL | TPE | DATE | 2007.03.28 |
| | | | | HARDNESS | SEE ABOVE | DRAWN | BUNNY |
| | | | | COLOR | BLACK | CHECK |  |
| PART NUMBER | SEE ABOVE | DRAWING NUMBER | BUB-70 | UNLESS OTHERWISE SPECIFIED TOLERANCE | SEE ABOVE | APPROVED |  |
| SIZE | A4 | SCALE | 2:1 | UNIT | mm | REV | C |