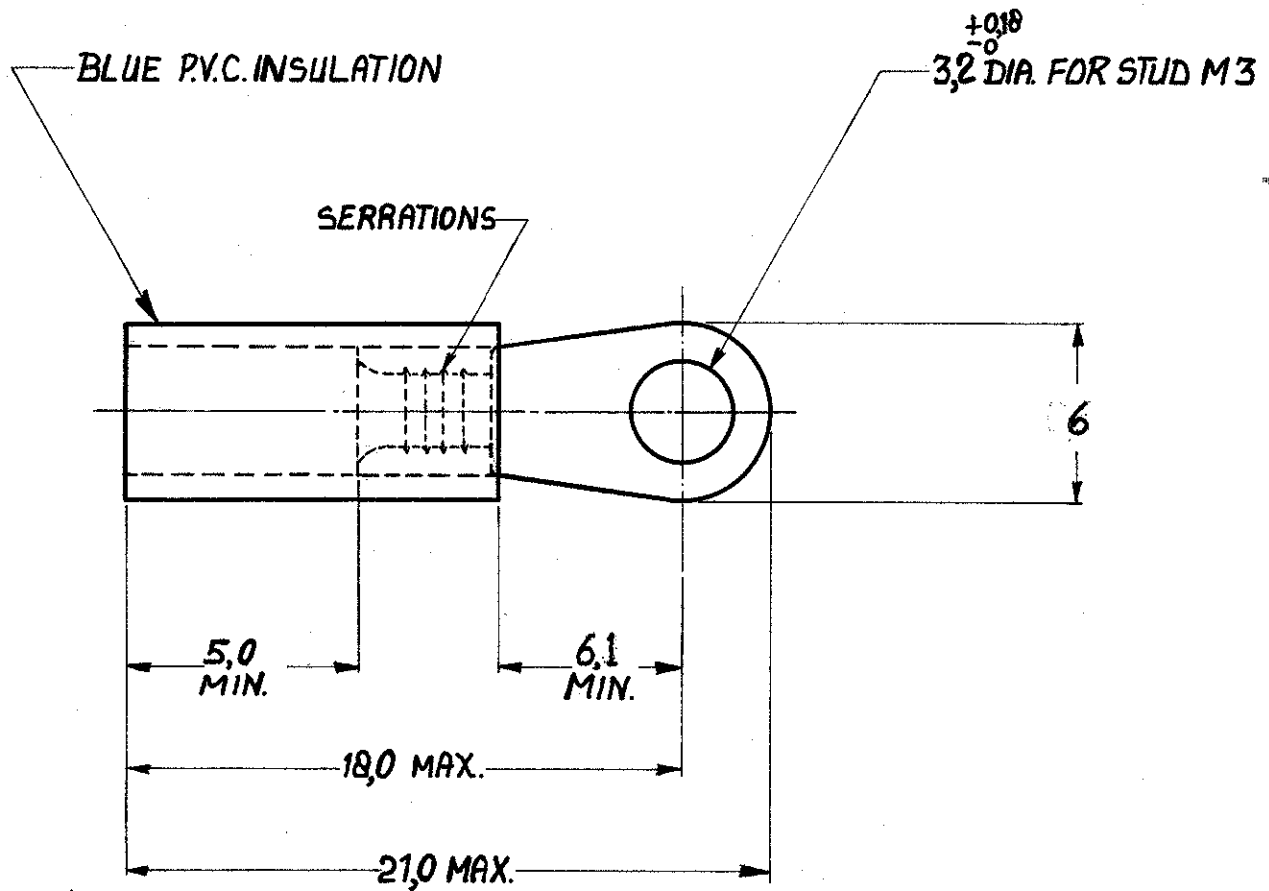


NUMBER C-165406-E



TONGUE MATERIAL THICKNESS: 0,8

CUSTOMER COPY FOR REFERENCE ONLY

©1970 BY AMP-HOLLAND N.V. ALL RIGHTS RESERVED A-MP PRODUCTS COVERED BY PATENTS AND/OR PATENTS PENDING.



AMP-HOLLAND N.V.
HERTOGENBOSCH
HOLLAND

WIRE-RANGE 1,5-2,5 mm ²	INSUL.-RANGE 3,9 DIA. MAX.	TYPE DIN PLASTI-GRIP
---------------------------------------	-------------------------------	----------------------------

ORDER NO. 2-165406-1	MATERIAL 165406	PLATING COPPER TIN	SCALE 4:1	LOC H	SIZE A	NO C-165406-E	REV E
-------------------------	--------------------	-----------------------	--------------	----------	-----------	------------------	----------

NAME
INSULATED RINGTONGUE for stud M3

REV C 20-8-85 DIMENSIONS IN M.M. DO NOT SCALE PRINT