

THIS COPY IS PROVIDED ON A RESTRICTED BASIS AND IS NOT TO BE USED IN ANY WAY DETRIMENTAL TO THE INTERESTS OF PANDUIT CORP.

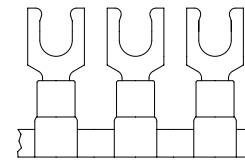
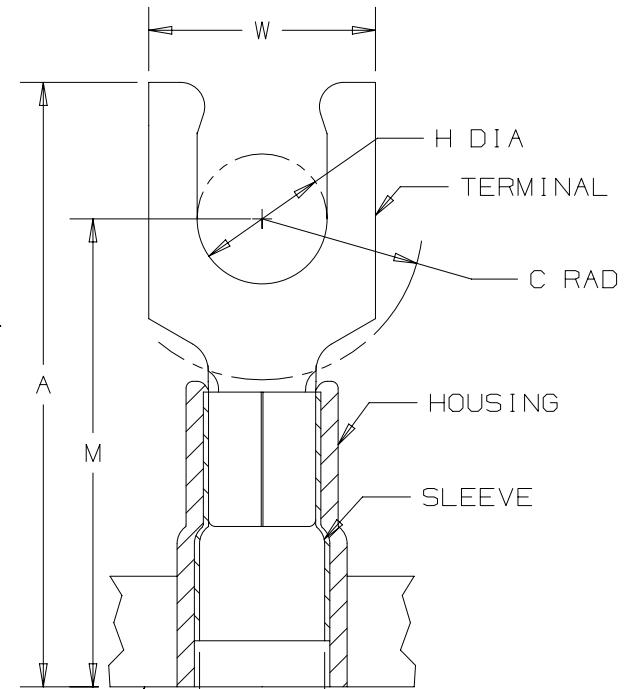
PANDUIT PART #	STUD SIZE		DIMENSIONS in. [mm]					CA9 SERIES CRIMP DIE	CD-800(EZ) SERIES CRIMP DIE
	ENGLISH	METRIC	A ± .03 [0,8]	W ± .01 [0,3]	C ± .02 [0,5]	M ± .03 [0,8]	H ± .01 [0,3]		
PN18-6LF-3K	#6	M3,5	.82 [20,8]	.27 [6,9]	.19 [4,8]	.63 [16,0]	.15 [3,8]	CD9-1A	CD-800-1
PN18-8LF-3K	#8	M4	.89 [22,6]	.29 [7,4]	.23 [5,8]	.68 [17,3]	.16 [4,1]		
PN18-10LF-3K	#10	--	.89 [22,6]	.33 [8,4]	.23 [5,8]	.68 [17,3]	.19 [4,8]		

PRESS/APPLICATOR COMPATIBILITY CHART

PRESS	CP-871	CP-861
APPLICATOR	CA9 CA-800EZ	CA-800

NOTES:

- UL LISTED AND CSA CERTIFIED FOR:
  - A. 600V MAX VOLTAGE RATING
  - B. 221°F (105°C) MAX TEMP RATING
  - C. #22-18 AWG (0.5-1.5 mm<sup>2</sup>) SOLID OR STRANDED COPPER WIRE
- SEE WWW.PANDUIT.COM FOR PACKAGE QUANTITIES
- MATERIAL:
  - A. STAMPING - .03" THK, COPPER TIN PLATED
  - B. HOUSING - NYLON, RED
  - C. SLEEVE - BRASS, TIN PLATED
- DIMENSIONS IN BRACKETS ARE IN MILLIMETERS
- WIRE STRIP LENGTH:  $7/32'' \begin{smallmatrix} +1/32 \\ -0 \end{smallmatrix}$  [ 5,6mm  $\begin{smallmatrix} +,8 \\ -0 \end{smallmatrix}$  ]



CARRIER STRIP (CONFIGURATION MAY VARY)

.145 (3.68)  
MAX WIRE INSUL DIA  
.080 (2.03)  
MIN. WIRE INSUL DIA.



TITLE		LOCKING FORKS 3 PC. NYLON INSULATED #22-18 BARREL, CONTINUOUS REEL		CUSTOMER DRAWING	
ITEM REVISION NAME		N41103BA/10		<b>PANDUIT</b>	
DATASET FILE NAME		N41103BA/10			
UNLESS OTHERWISE SPECIFIED, DIMENSIONAL TOLERANCES ARE: IN [ mm ]				MATERIAL:	
.X ± .XXX ± .XX ± ANGLES ±				SEE NOTES	
THIRD ANGLE PROJECTION				DRAWING NUMBER:	
A				A41103	
DRAWN BY	DATE	CHK	SCALE	SHT 1 OF 1	
GRM			NONE	A	

REV	DATE	BY	CHK	APR	DESCRIPTION	ECN
10	12/16	TMR	TMR	RGB	REVISED CERT, A DIM TOL WAS .02, C WAS .015, M WAS .02	N41103BA-A41103
09	06/14	MBY	JHNU	RGB	REVISED NOTES, MOVED TOOLS TO TABLE, REVISED CERTIFICATION, UPDATED BORDER	N41103BA-A41103

D10100DA/16