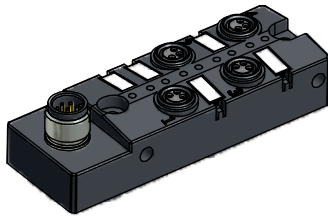
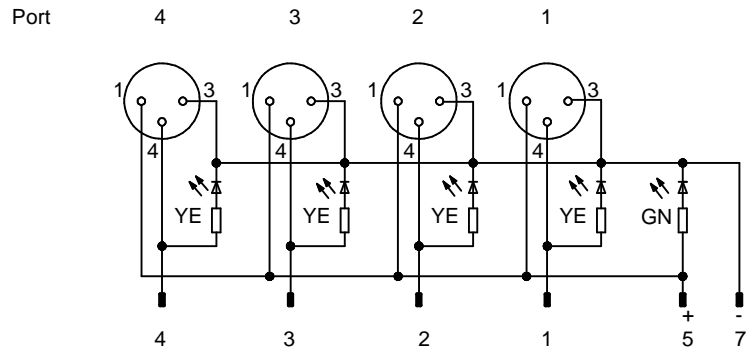
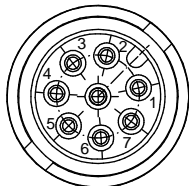


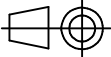

Technical specification:

Rated voltage:	max. 30 V
Current rating:	2A signal contact, total ampacity max. 3A
Insulation resistance: IEC 60512	$\geq 100 \text{ M}\Omega$
Pollution degree: IEC 60664-1	3/2
Degree of protection: IEC 60529	IP 67, in mated condition
Temperature range: IEC 60664-1	-20°C ... +80°C (unmoved)
Mating cycles: IEC 60512-9a	≥ 100
Materials:	
Contact:	CuZn
Contact plating:	Nickel, gold plated
Contact carrier:	PBT, UL 94
Sealing:	FPM
Housing:	PBT GF, UL 94 similiar to RAL 7024
Grouting:	Polyurethane-resin, UL 94

Pin-Configuration M12x1



Part No:	Description:
42-05010	SAL - 8 - 4FK3 - 5L

DO NOT ALTER CAD DRAWING BY HAND Directive 2002/95/EC RoHS compliant	Index: a 23.08.11 VF Ä3941 data sheet revised		 dim. in mm	title: Junction box M8x1 with connector M12x1, plastic housing						
	tolerance of cable:				<table border="1"> <tr> <td>date</td> <td>name</td> </tr> <tr> <td>18.06.08</td> <td>Fromm</td> </tr> <tr> <td>20.06.08</td> <td>W.Schmidt</td> </tr> </table>	date	name	18.06.08	Fromm	20.06.08
	date	name								
	18.06.08	Fromm								
20.06.08	W.Schmidt									
general tolerance: <table border="0"> <tr> <td>0</td> <td>$\pm 0,50\text{mm}$</td> </tr> <tr> <td>0,0</td> <td>$\pm 0,25\text{mm}$</td> </tr> <tr> <td>0,00</td> <td>$\pm 0,10\text{mm}$</td> </tr> </table>		0	$\pm 0,50\text{mm}$	0,0	$\pm 0,25\text{mm}$	0,00	$\pm 0,10\text{mm}$		dwg no: 42K1A082	
0	$\pm 0,50\text{mm}$									
0,0	$\pm 0,25\text{mm}$									
0,00	$\pm 0,10\text{mm}$									
<small>THIS DRAWING MAY NOT BE COPIED OR REPRODUCED IN ANY WAY, AND MAY NOT BE PASSED ON TO A THIRD PARTY WITHOUT WRITTEN PERMISSION. OWNERSHIP AND COPYRIGHT OF CONEC GmbH</small>		part no: see table								