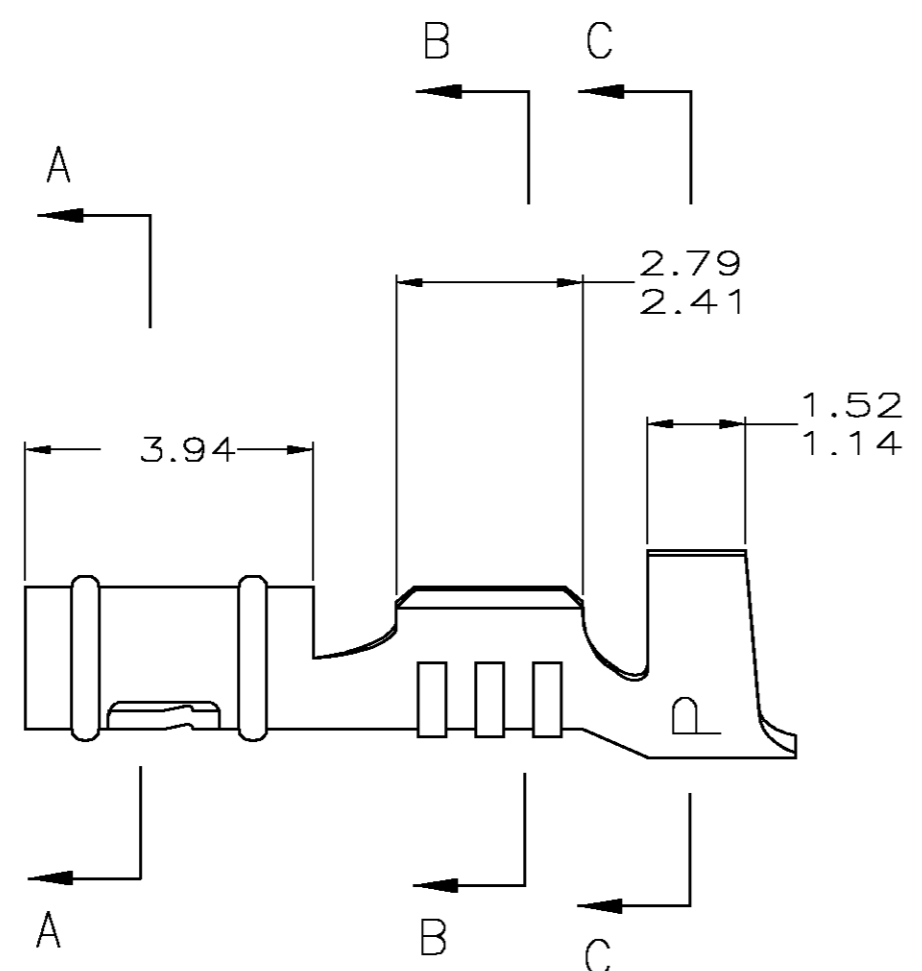
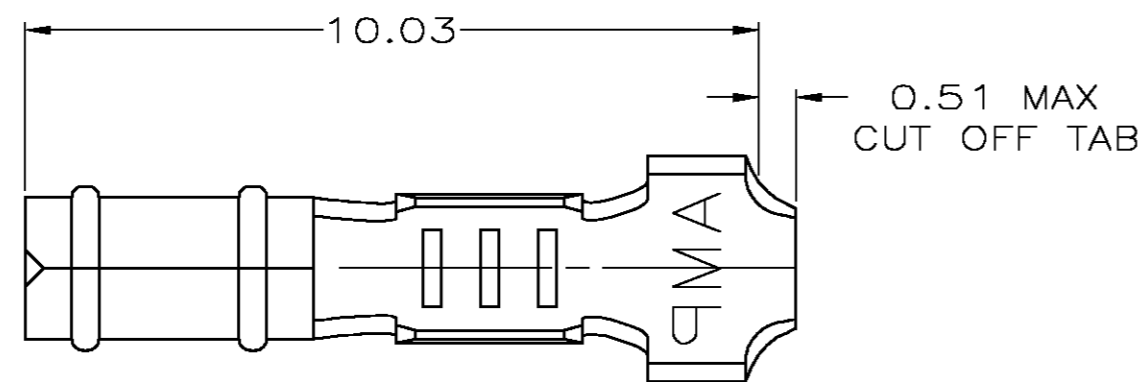


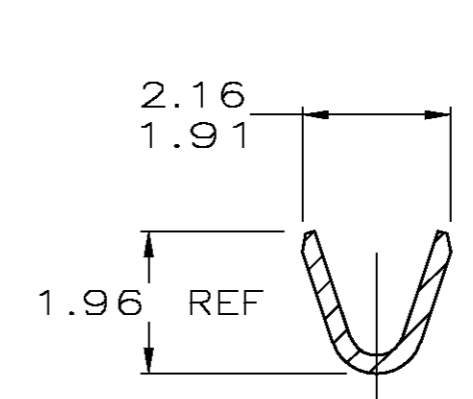
THIS DRAWING IS UNPUBLISHED. RELEASED FOR PUBLICATION  
 © COPYRIGHT BY TYCO ELECTRONICS CORPORATION. ALL RIGHTS RESERVED.

LOC	DIST	REVISIONS			
P	LTR	DESCRIPTION	DATE	DWN	APVD
CM	00	R1	REVISED PER 0G3B-0209-04	04-MAR-04	KW JE

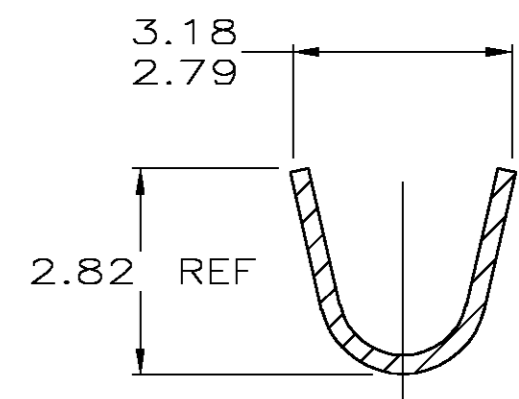
1. WIRE RANGE: 0.2 - 0.6 MM<sup>2</sup> (24 - 20 AWG)
2. INSULATION RANGE: 1.52 - 2.29



SECTION A-A



SECTION B-B



SECTION C-C

PRE-TIN FINISH	0.25 PH BRZ MATERIAL	60986-1 PART NUMBER
----------------	----------------------	---------------------

MM	IN	MM	IN	MM	IN	MM	IN
1.359	.0535	1.96	.077	2.82	.111	-	-
1.14	.045	1.91	.075	2.79	.110	-	-
0.51	.020	1.52	.060	2.41	.095	10.03	.395
0.25	.010	1.486	.0585	2.29	.090	3.94	.155
0.13	.005	1.47	.058	2.16	.085	3.18	.125
MM	IN	MM	IN	MM	IN	MM	IN

CONVERSION TABLE



THIS DRAWING IS A CONTROLLED DOCUMENT.

DWN K. WHITAKER	04-MAR-04	 Tyco Electronics Corporation Harrisburg, Pa 17105-3608			
CHK J. ELLIS	04-MAR-04				
APVD J. ELLIS	04-MAR-04				
PRODUCT SPEC 108-1025					
APPLICATION SPEC 114-1008		NAME RECEPTACLE, .058 DIAMETER, 24-20 AWG, .060-.090 INSULATION, LOOSE PIECE, P.C. CONTACT			
MATERIAL SEE TABLE	FINISH SEE TABLE	SIZE A2	CAGE CODE 00779	DRAWING NO C=60986	RESTRICTED TO -
CUSTOMER DRAWING		SCALE 10:1	SHEET 1 OF 1	REV R1	