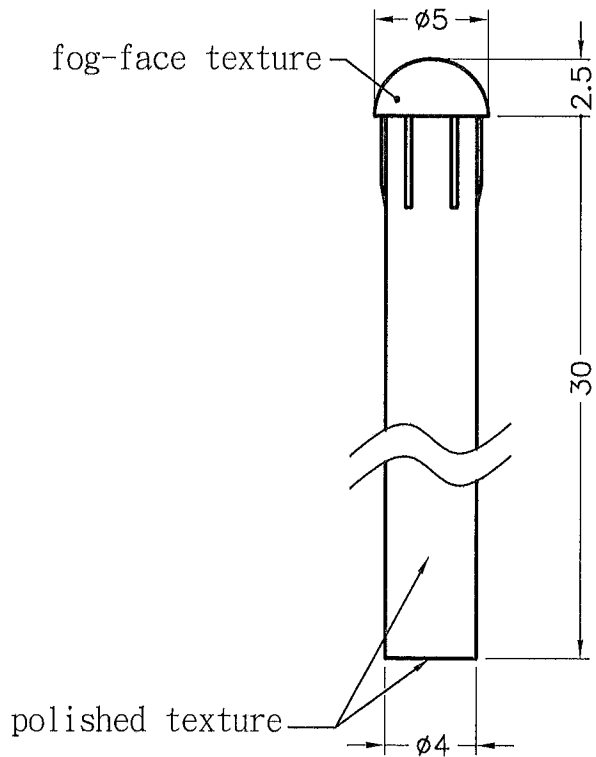
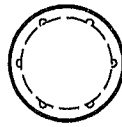


DIM.	TOL
L≤10	±0.2
10<L≤30	±0.3
30<L≤50	±0.5
50<L≤100	±0.7
100<L≤250	±1.2
ABOVE 250	±1.5

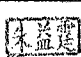
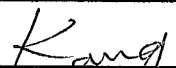
REVISIONS			
REV	DESCRIPTION	DATE	BY



MOUNTING HOLE $\phi 4.3$

NOTE:MADE OF EQUIVALENT MATERIAL.
使用同等材質


康揚企業股份有限公司
 KANG YANG HARDWARE ENTERPRISE CO., LTD.
康揚塑膠(東莞)有限公司
 KANG YANG PLASTIC(DONG GUAN) CO.,LTD.
ISO 9001 ISO 14001 QC 080000
康哲電腦配件(吳江)有限公司
 KANG CHE COMPUTER COMPONENTS(WUJIANG) CO.,LTD.

TITLE	LED LIGHT PIPE	SPEC. DWG.
MATERIAL	PC UL94V-2	DATE 2015.03.11
FINISH		DRAWN LUKE
COLOR	CLEAR	CHECK 
PART NUMBER	LEM-198	DRAWING NUMBER LEM-198
UNLESS OTHERWISE SPECIFIED TOLERANCE	SEE ABOVE	APPROVED 
SIZE	A4	SCALE
UNIT	mm	SCALE
REV	A	SCALE