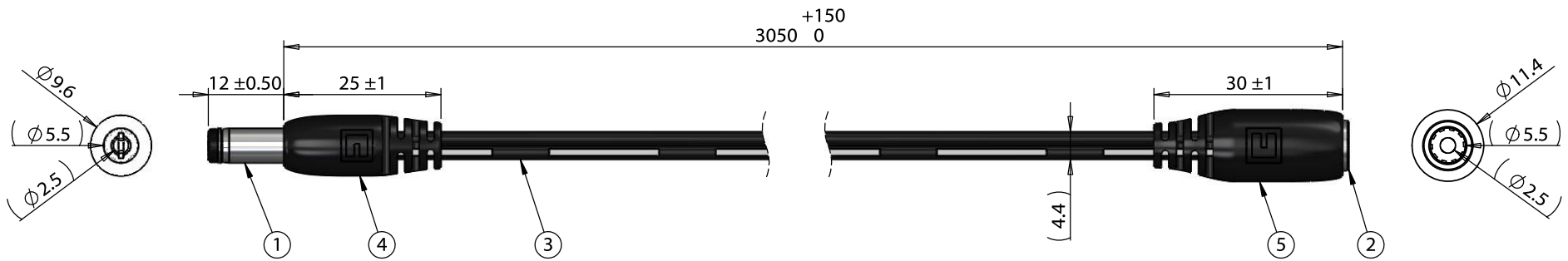


ITEM NO.	PART NUMBER	DESCRIPTION	QTY.	COMPONENT NOTES
1	50-00026	Connector, dc plug, 5.5x2.5xL23 mm, molding style, spring contacts	1	
2	50-00027	Connector, dc jack, 5.5x2.5xL17.4 mm, molding style	1	
3	30-00007	Wire, 2C BC, 18 AWG, UL2468, 300V, 80C, 4.4 mm, VW-1, PVC, 87A	1	
4	24-00003	Overmold, PVC	1	black
5	24-00004	Overmold, PVC	1	black



Notes:
Functionally equivalent components may be substituted

Wiring Diagram		
50-00026	wire color	50-00027
center	black with stripe	center
sleeve	black	sleeve

Revision:	Date:	Description:	Prepared: AW <small>Digitally signed by AW Date: 2018.06.12 10:53:11 -07'00'</small>	Notes:	<h1>TENSILITY</h1> <p>tel 1.541.323.3228 800 877.670.7118 fax 1.541.323.4202 web tensility.com</p>
A	11/22/2016	Initial release	Verified: AG <small>Digitally signed by AG Date: 2018.06.12 16:20:15 -07'00'</small>	RoHS compliant	
			Dimensions are in millimeters.	Function test: no open, no short circuit, no intermittent	
			Tolerances: X: ± 0.5 mm X.X: ± 0.3 mm X.XX: ± 0.05 mm	Description: Cable, 3050 mm, 5.5x2.5x12 mm 50-00026 dc plug to 5.5x2.5 mm 50-00027 dc jack, 18 AWG, 30-00007 wire	
			Size:	Part number:	
			A	10-02397	
			Scale: 1:1		Sheet 1 of 1

5

4

3

2

1