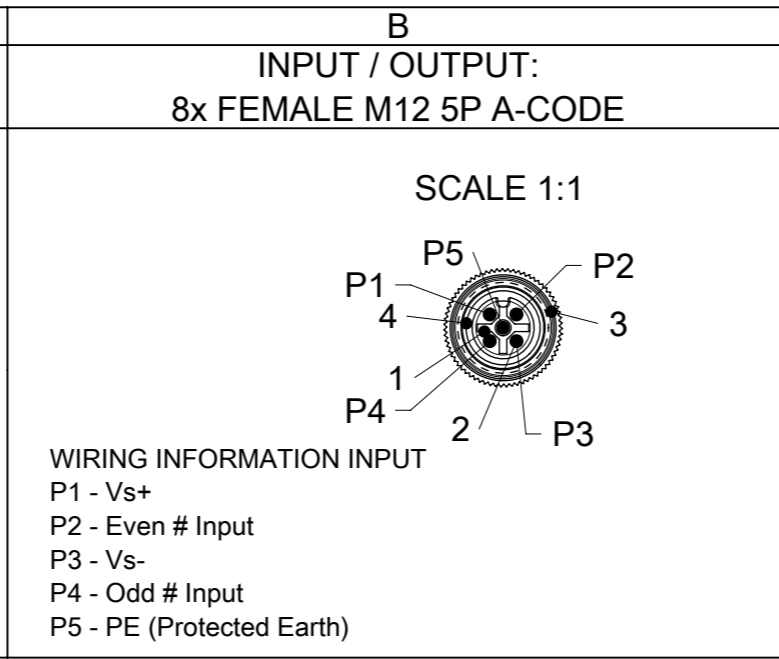
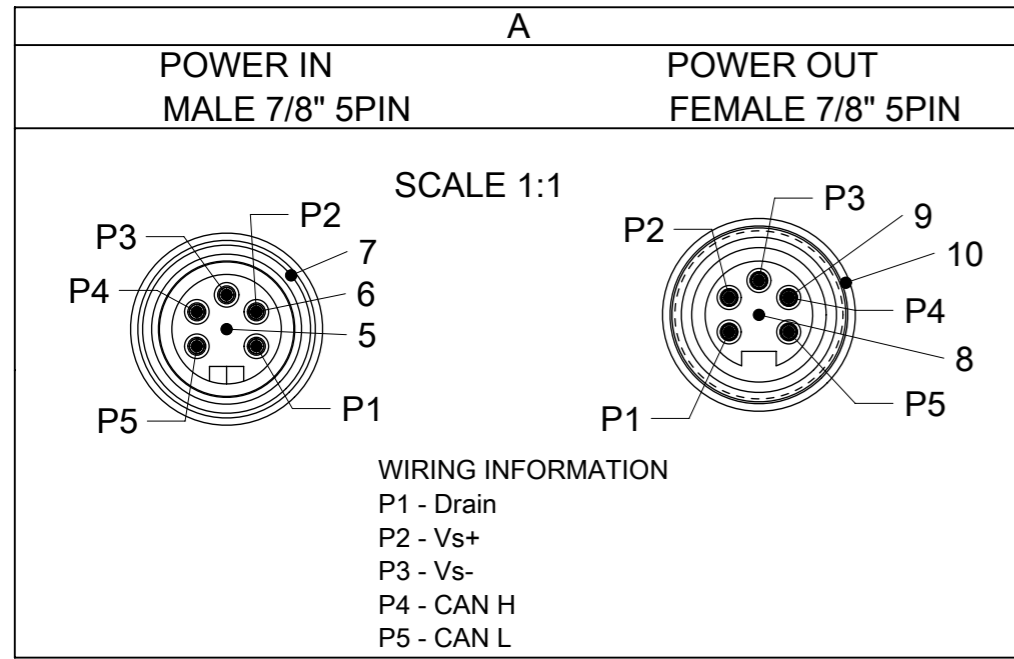


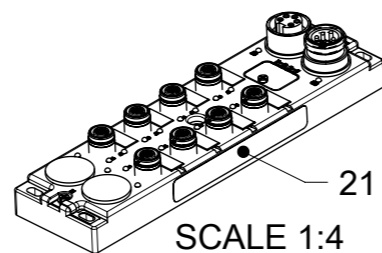
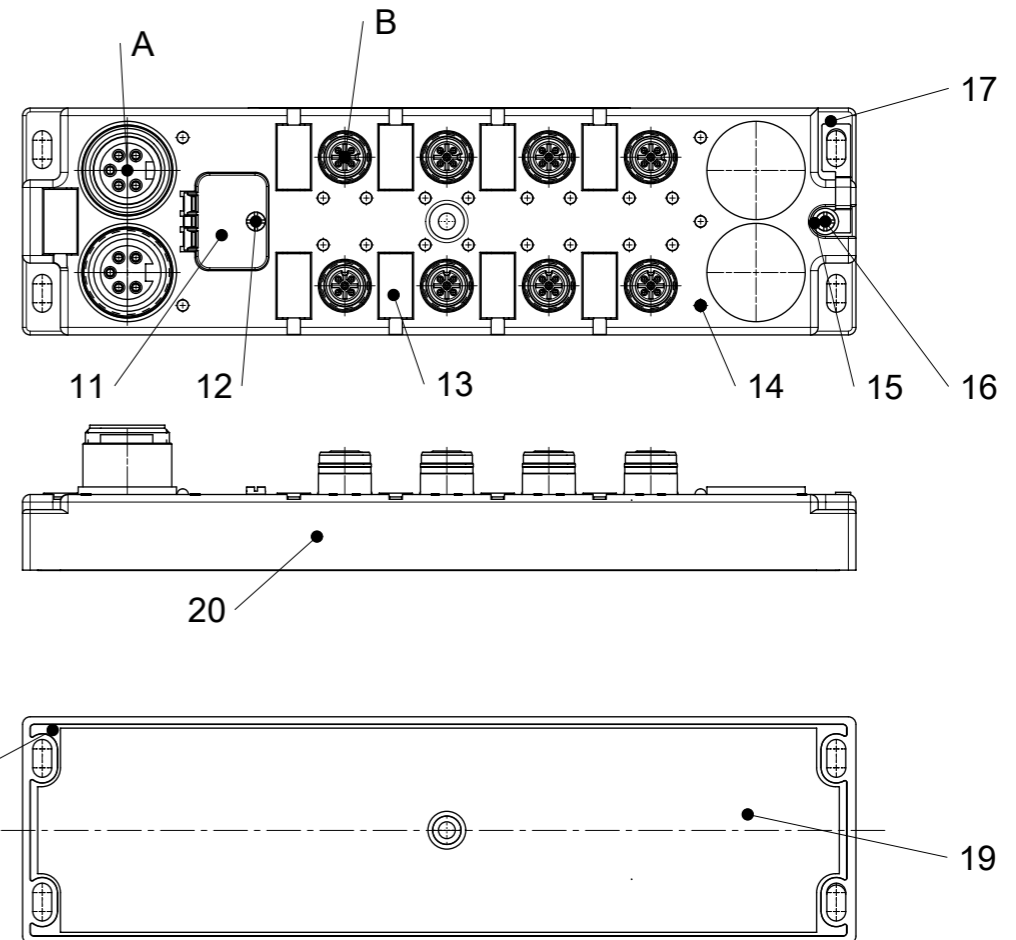
SCALE 1:2

THIS DRAWING CONTAINS INFORMATION THAT IS PROPRIETARY TO MOLEX ELECTRONIC TECHNOLOGIES, LLC AND SHOULD NOT BE USED WITHOUT WRITTEN PERMISSION												
QUALITY SYMBOLS ▽A = 0 ▽E = 0 ▽F = 0 ▼ = 0 ▽C = 0 ⊗ = 0 ■ = 0 ▽ = 0	EC NO: 101575 DRWN: AAHLERS CHK'D: RSILLER APPR: RSILLER	2015/10/23 2015/11/03 2015/11/03	GENERAL TOLERANCES (UNLESS SPECIFIED) ANGULAR TOL ± °		DIMENSION UNITS mm	SCALE 1:1						
	4 PLACES ± 3 PLACES ± 2 PLACES ± 1 PLACE ± 0.3 0 PLACES ± 0.5		DRWN BY ULETTENMEIER	DATE 2015/01/19	DBO DN16 60 MM 7/8" 5P AC MA FE U12 5P 8PT DC FE							
	DRAFT WHERE APPLICABLE MUST REMAIN WITHIN DIMENSIONS		APPR BY RSILLER	DATE 2015/06/25	PRODUCT CUSTOMER DRAWING							
	A1	REV	EC NO: 101575 DRWN: AAHLERS CHK'D: RSILLER APPR: RSILLER	DIMENSION UNITS A3	THIRD ANGLE PROJECTION	SERIES 112092	MATERIAL NUMBER 1120920010	CUSTOMER GENERAL MARKET	PRODUCT CUSTOMER DRAWING			
	RELEASE STATUS P1		RELEASE DATE 2015/11/03 17:20:43	DOCUMENT NUMBER 1120920010		DOC TYPE PSD	DOC PART 000	SHEET NUMBER 1 OF 3				



BILL OF MATERIAL

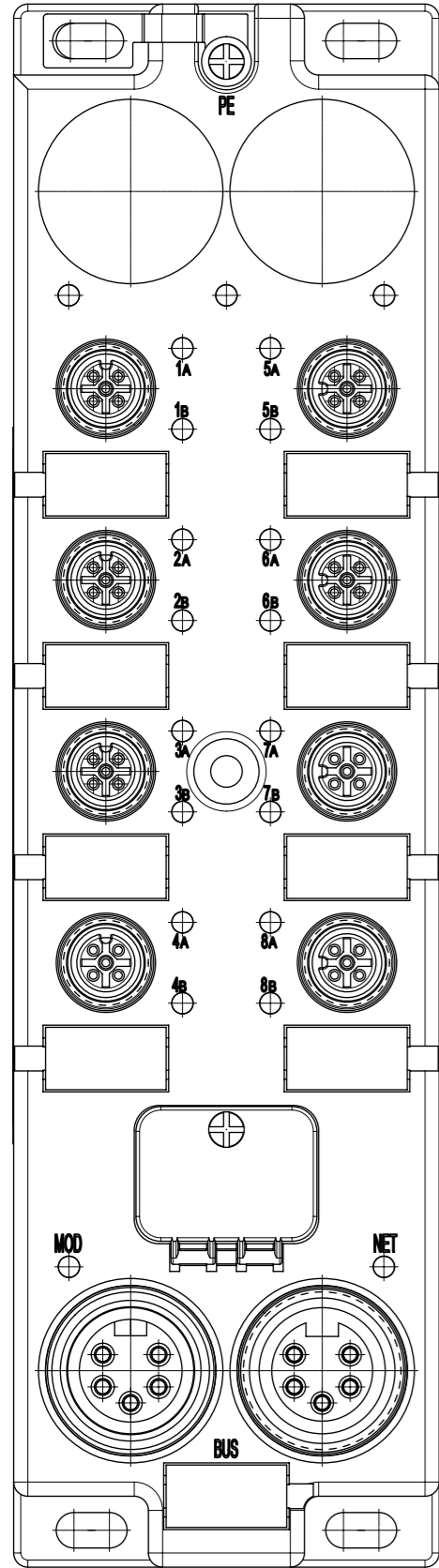
ITEM	DESCRIPTION	MATERIAL	FINISH
1	INSERT	TPU	BLACK
2	CONTACT	COPPER ALLOY	GOLD OVERNICKEL
3	SHELL	BRASS	NICKEL PLATET
4	GASKET	FPM	RED
5	INSERT	TPE	GREY
6	CONTACT	COPPER ALLOY	GOLD OVERNICKEL
7	SHELL	BRASS	NICKEL PLATET
8	INSERT	TPE	GREY
9	CONTACT	COPPER ALLOY	GOLD OVER NICKEL
10	SHELL	BRASS	NICKEL PLATET
11	WINDOW	PC	TRANSPARENT
12	SCREW	V2A	V2A
13	LABEL	PC	WHITE
14	FIBER OPTIC	PA	TRANSPARENT
15	WASHER	BRASS	NICKEL PLATET
16	SCREW	V2A	V2A
17	SHIELD PLATE	STAINLESS STEEL	STAINLESS STEEL
18	RESIN	EPOXY	TRANSPARENT
19	LABEL	PVC	WHITE
20	HOUSING	PBT	BLACK
21	LABEL	PVC	YELLOW



QUALITY SYMBOLS ▽A = 0 ▽E = 0 ▽F = 0 ▼ = 0 ▽C = 0 ⊗ = 0 ■ = 0 ▽ = 0	THIS DRAWING CONTAINS INFORMATION THAT IS PROPRIETARY TO MOLEX ELECTRONIC TECHNOLOGIES, LLC AND SHOULD NOT BE USED WITHOUT WRITTEN PERMISSION				
	EC NO: 101575 DRWN: AAHLERS CHK'D: RSILLER REV APPR: RSILLER	2015/10/23 2015/11/03 2015/11/03	GENERAL TOLERANCES (UNLESS SPECIFIED) ANGULAR TOL ± ° 4 PLACES ± 3 PLACES ± 2 PLACES ± 1 PLACE ± 0.3 0 PLACES ± 0.5 DRAFT WHERE APPLICABLE MUST REMAIN WITHIN DIMENSIONS	DIMENSION UNITS: mm SCALE: 1:2 DRWN BY: ULETTENMEIER DATE: 2015/01/19 CHK'D BY: RSILLER DATE: 2015/06/25 APPR BY: RSILLER DATE: 2015/06/25 DRAWING SIZE: A3 THIRD ANGLE PROJECTION	
	DBO DN16 60 MM 7/8" 5P AC MA FE U12 5P 8PT DC FE			PRODUCT CUSTOMER DRAWING	
	SERIES: 112092 MATERIAL NUMBER: 1120920010 CUSTOMER: GENERAL MARKET	DOCUMENT NUMBER: 1120920010 DOC TYPE: PSD DOC PART: 000 SHEET NUMBER: 3 OF 3			

TABLE 1 16 IN PRINTING

		DEVICENET 16			3D MODEL NO.
POWER TYPE	INPUT/OUTPUT	ENG. NO	MOLEX P/N		
7/8" 5 POLE	PNP	16I	TCDDN-8D0P-10U	1120920010	1120920010 (PDM)
	NPN	16I	TCDDN-8D0N-10U	1120920019	



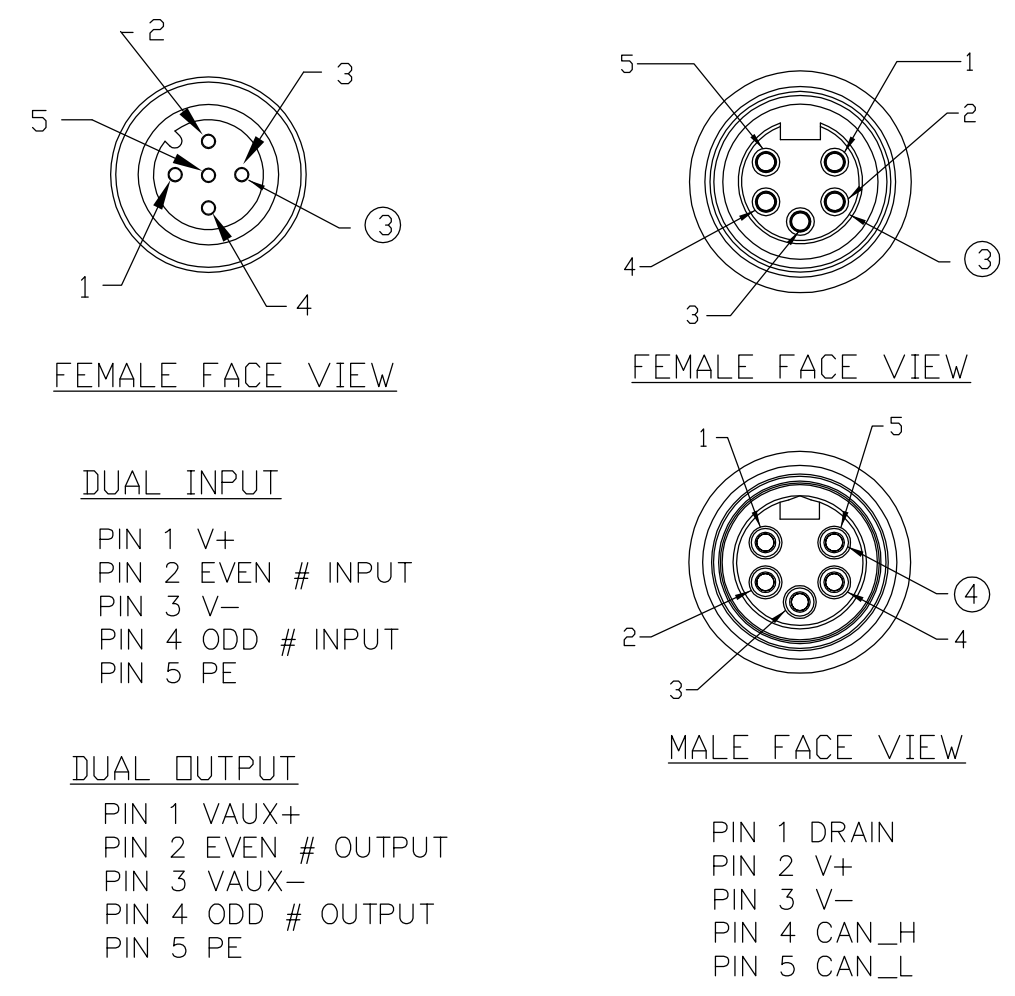
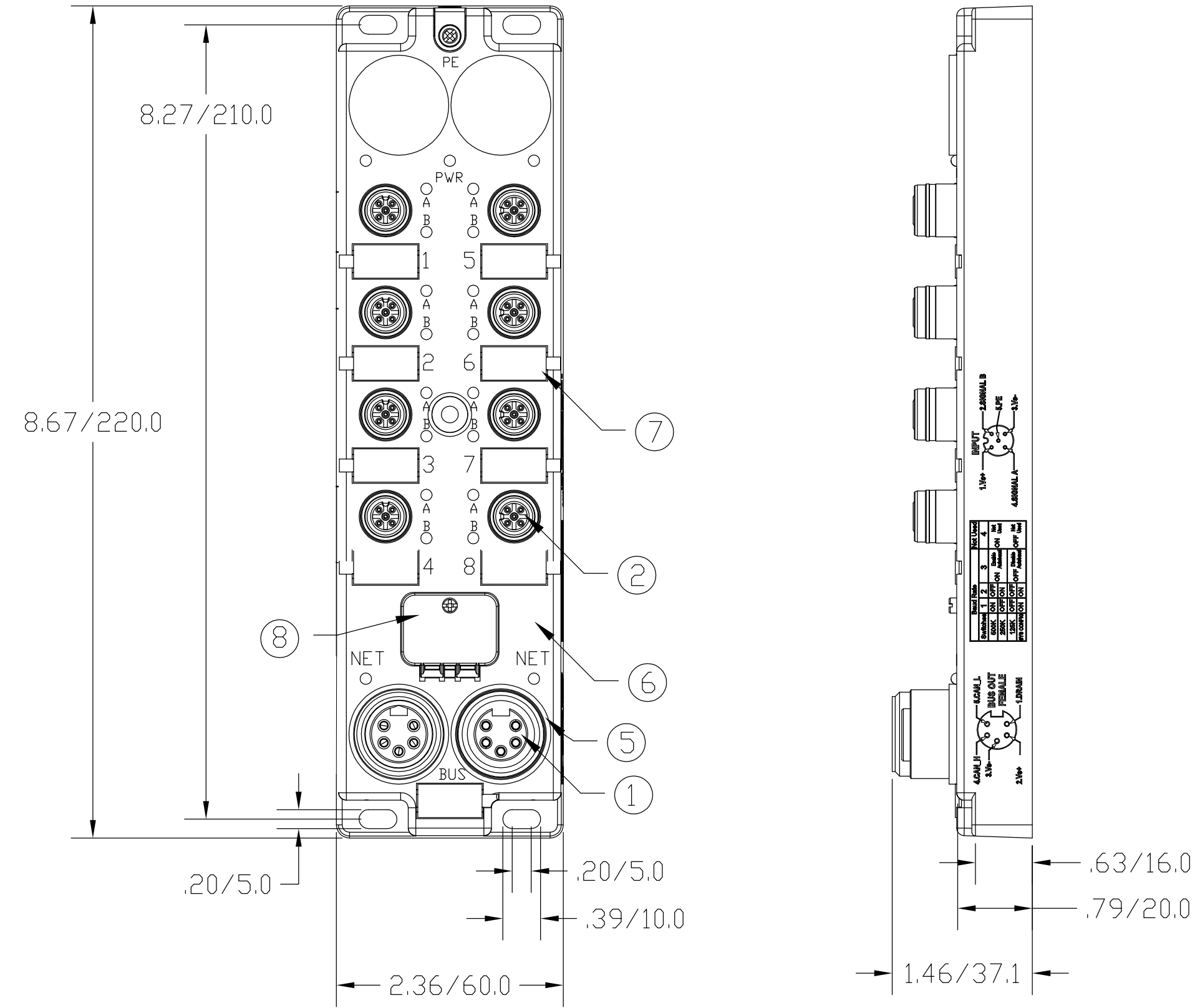
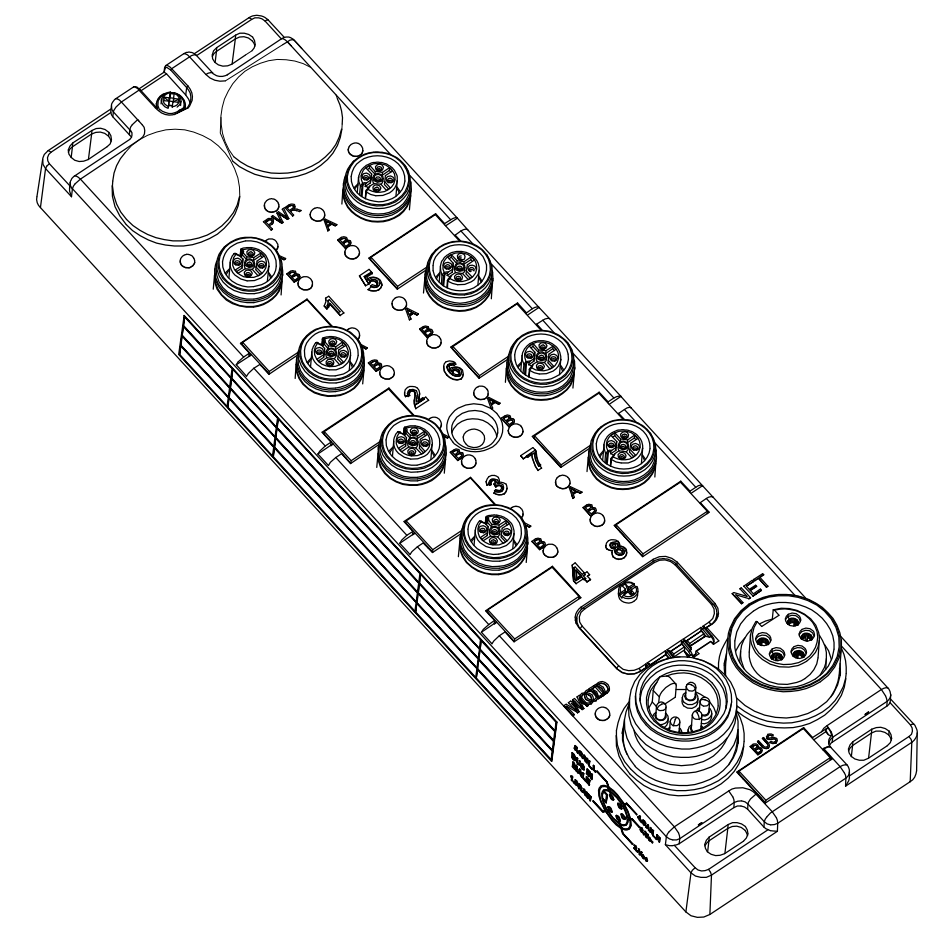
16 IN PRINTING

QUALITY SYMBOLS ▽A = 0 ▽E = 0 ▽F = 0 ▼ = 0 ▽C = 0 ⊗ = 0 ■ = 0 ▽ = 0	THIS DRAWING CONTAINS INFORMATION THAT IS PROPRIETARY TO MOLEX ELECTRONIC TECHNOLOGIES, LLC AND SHOULD NOT BE USED WITHOUT WRITTEN PERMISSION												
	EC NO: 101575 DRWN: AAHLERS CHK'D: RSILLER REV APPR: RSILLER	2015/10/23		2015/11/03		2015/11/03		GENERAL TOLERANCES (UNLESS SPECIFIED)		DIMENSION UNITS		SCALE	
		mm		1:1		DRWN BY		DATE		UULETTENMEIER		2015/01/19	
		ANGULAR TOL ± °		4 PLACES ±		3 PLACES ±		2 PLACES ±		1 PLACE ± 0.3		0 PLACES ± 0.5	
		DRAFT WHERE APPLICABLE MUST REMAIN WITHIN DIMENSIONS		A3		THIRD ANGLE PROJECTION		APPR BY		DATE		RSILLER 2015/06/25	
		A1		REV		DRAFT WHERE APPLICABLE MUST REMAIN WITHIN DIMENSIONS		DRAWING SIZE		THIRD ANGLE PROJECTION		A3	
							DBO DN16 60 MM 7/8" 5P AC MA FE U12 5P 8PT DC FE						
							PRODUCT CUSTOMER DRAWING						
	SERIES		MATERIAL NUMBER		CUSTOMER		112092		1120920010		GENERAL MARKET		
DOCUMENT NUMBER				DOC TYPE		DOC PART		SHEET NUMBER		1120920010		PSD 000 2 OF 3	

MATERIAL NUMBER	OLD PART NUMBER
112092-0010	TCDDN-8D0P-10U

INPUTS:
PNP 3-WIRE SENSORS
PORTS 1-8

USER MANUAL IS LOCATED ON MOLEX WEBSITE.



PROTECTION	IP67
OPERATING TEMPERATURE	0°C TO 70°C
APPROVALS	ODVA AND CE
UL CERTIFICATIONS	UL LISTED FILE NO. E200650
PRODUCTS CERTIFIED BY UL IN ACCORDANCE WITH CANADIAN REQUIREMENTS	UL LISTED FILE NO. E200650

ITEM	COMPONENT	MATERIAL	FINISH
1	MINI INSERT	TPE	GRAY(5-POLE) YELLOW (4-POLE)
2	MICRO INSERT	NYLON 6/6	BLACK
3	CONTACT SOCKET	COPPER ALLOY	GOLD OVER NICKEL
4	CONTACT PIN	COPPER ALLOY	GOLD OVER NICKEL
5	RECEPTACLE SHELL	BRASS	NICKLE PLATED
6	HOUSING	PBT	BLACK
7	LABEL	ABS	WHITE
8	WINDOW	POLYCARBONATE	CLEAR

RLSO DRAWING EC NO: WNA2009-0881 DRWN: BWOODMAN 6/30/09 CH'KD: --- APPR: JFMURPHY 2009/07/08 A	QUALITY SYMBOL ▽=0 ◁=0	GENERAL TOLERANCES (UNLESS SPECIFIED) 4 PLACES ±--- 3 PLACES ±--- 2 PLACES ±--- 1 PLACE ±0.3 ANGULAR ±---° DRAFT WHERE APPLICABLE MUST REMAIN WITHIN DIMENSIONS	DIMENSION STYLE IN/MM DRAWN BY DATE BW 2009/06/30 CHECKED BY DATE LH 2009/06/30 APPROVED BY DATE ---	SCALE --- DESIGN UNITS --- THIRD ANGLE PROJECTION	TITLE 60MM 16 INPUT PNP DEVICENET MPIS MOLEX INCORPORATED MATERIAL NO. SEE CHART DOCUMENT NO. SD-112092-003 SHEET NO. 1 OF 1
	THIS DRAWING CONTAINS INFORMATION THAT IS PROPRIETARY TO MOLEX INCORPORATED AND SHOULD NOT BE USED WITHOUT WRITTEN PERMISSION				