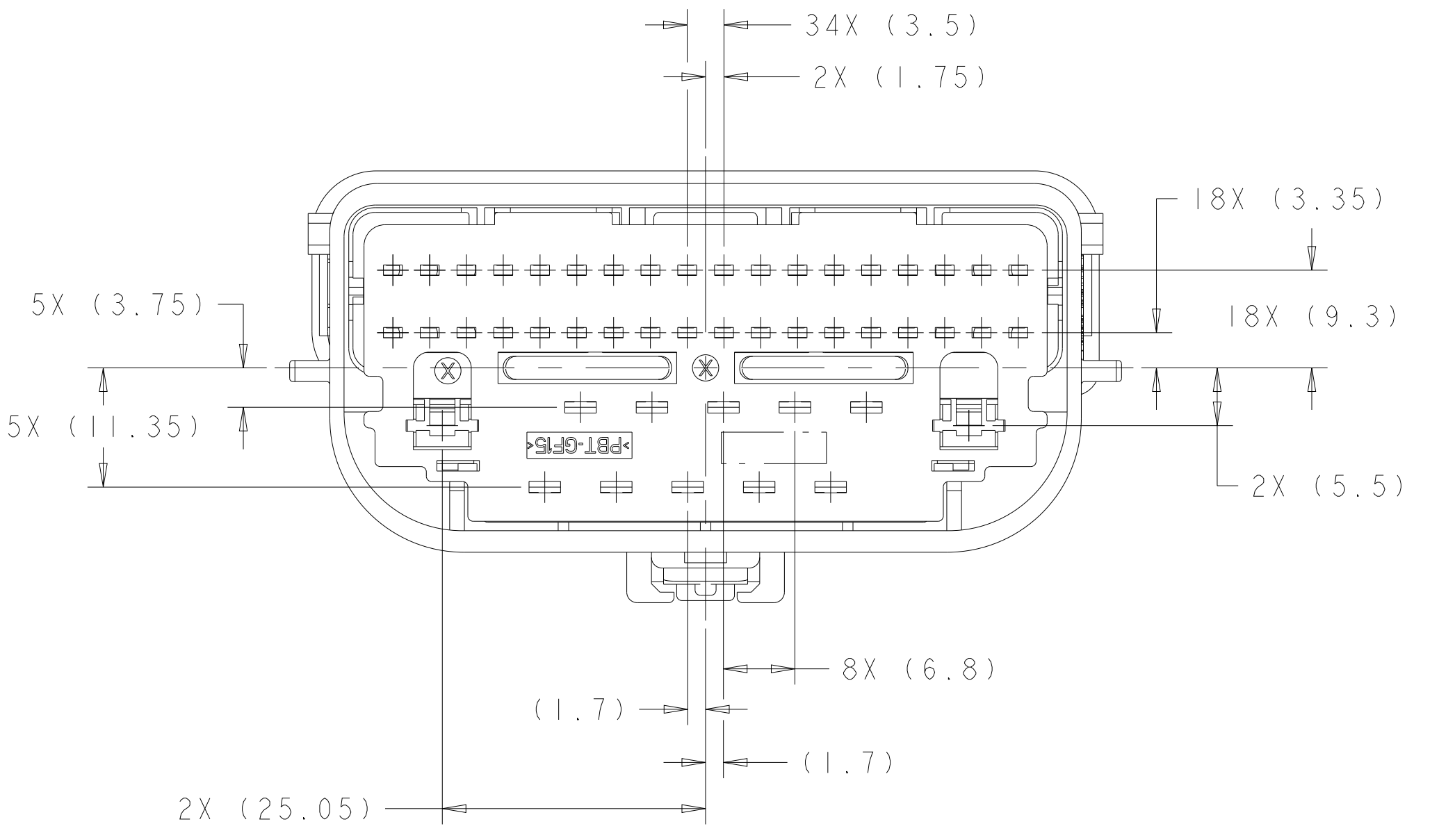
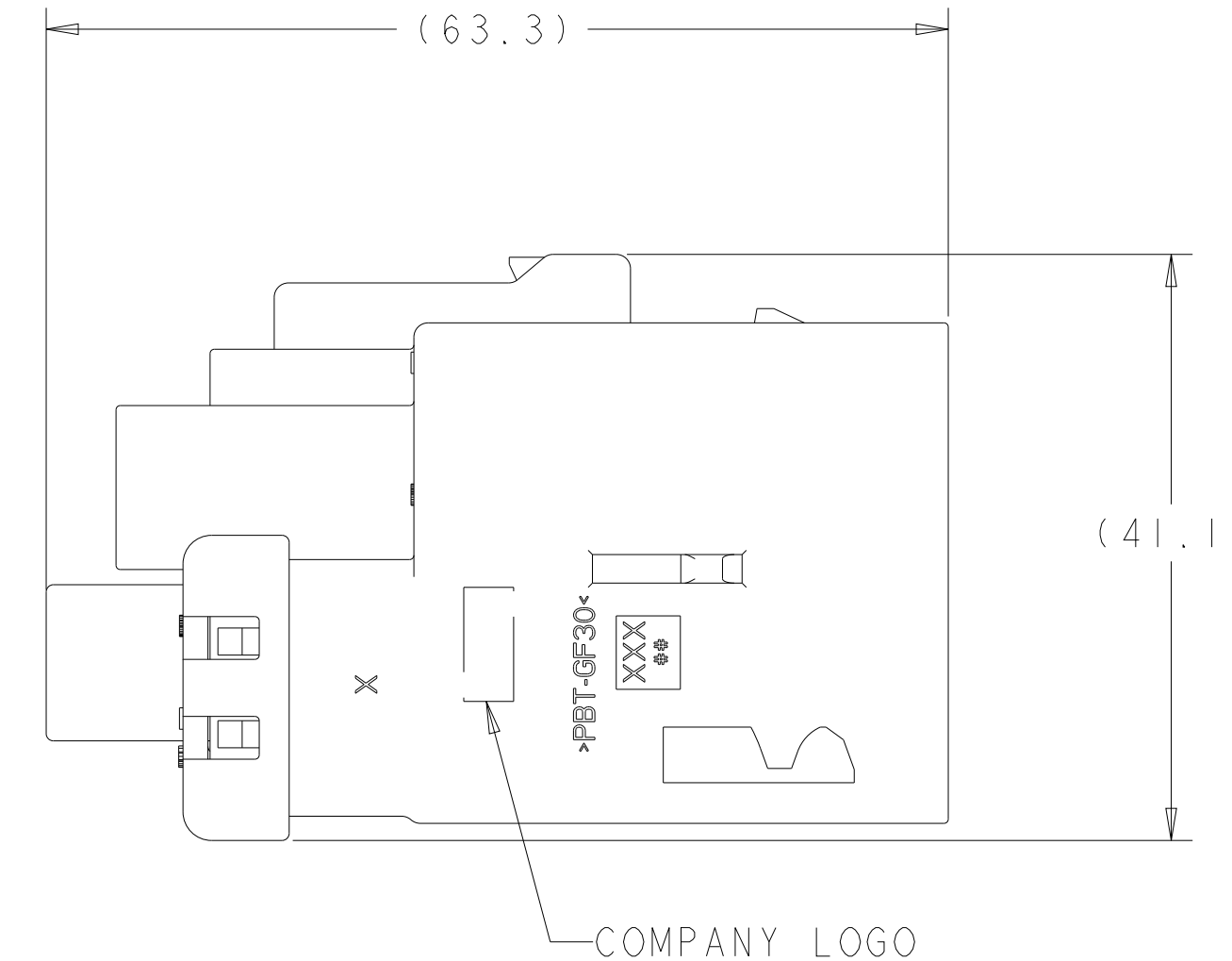
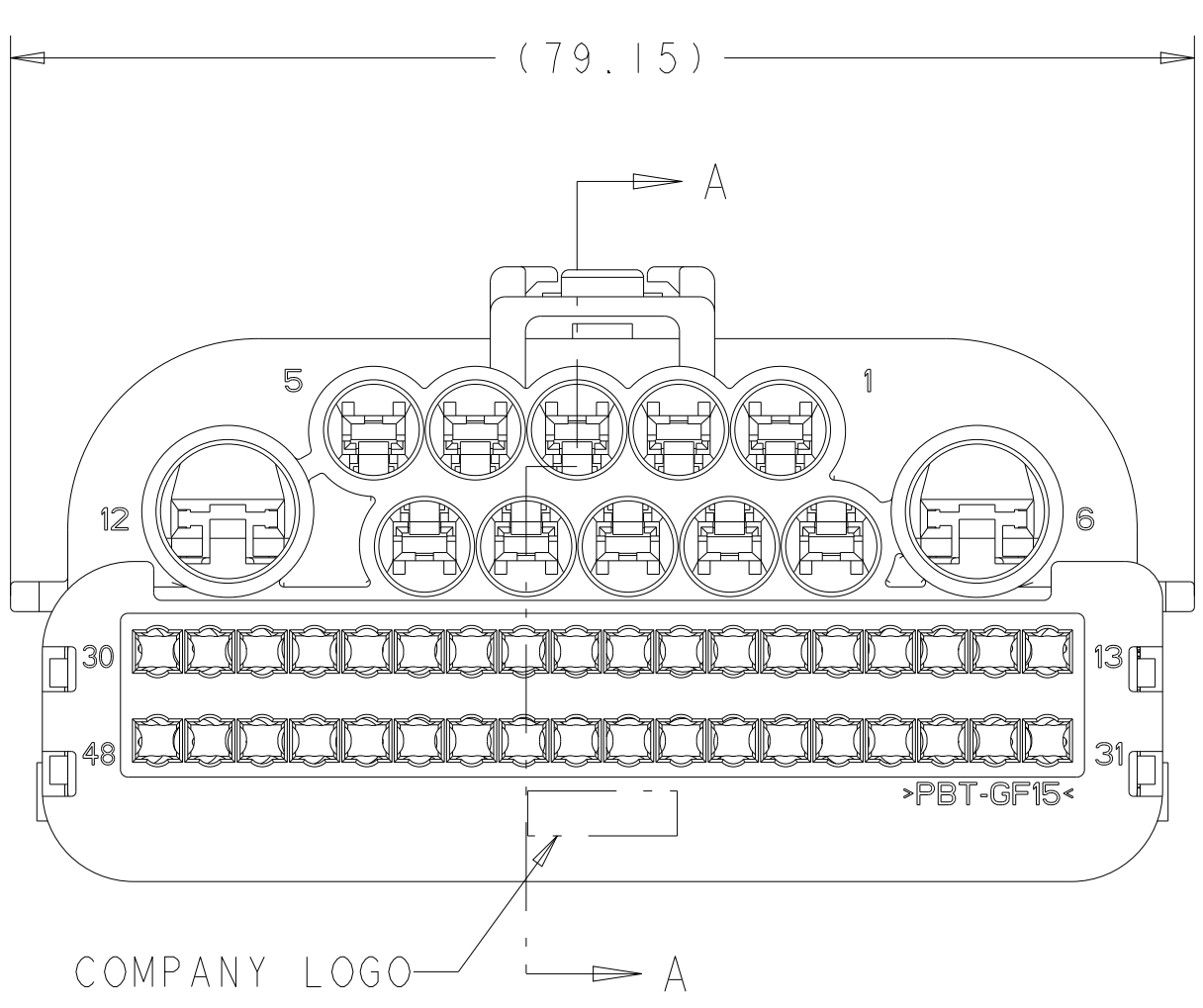
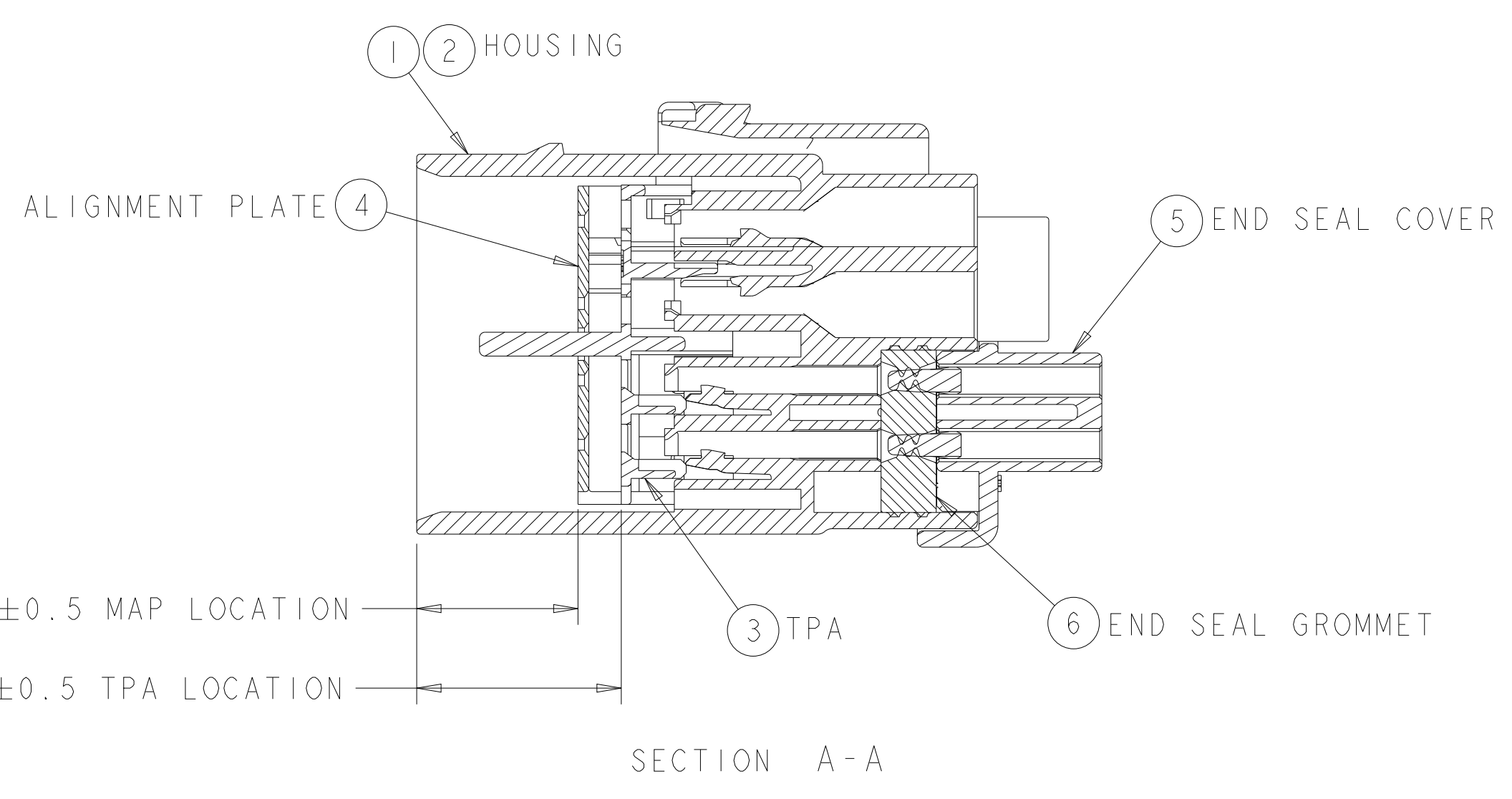
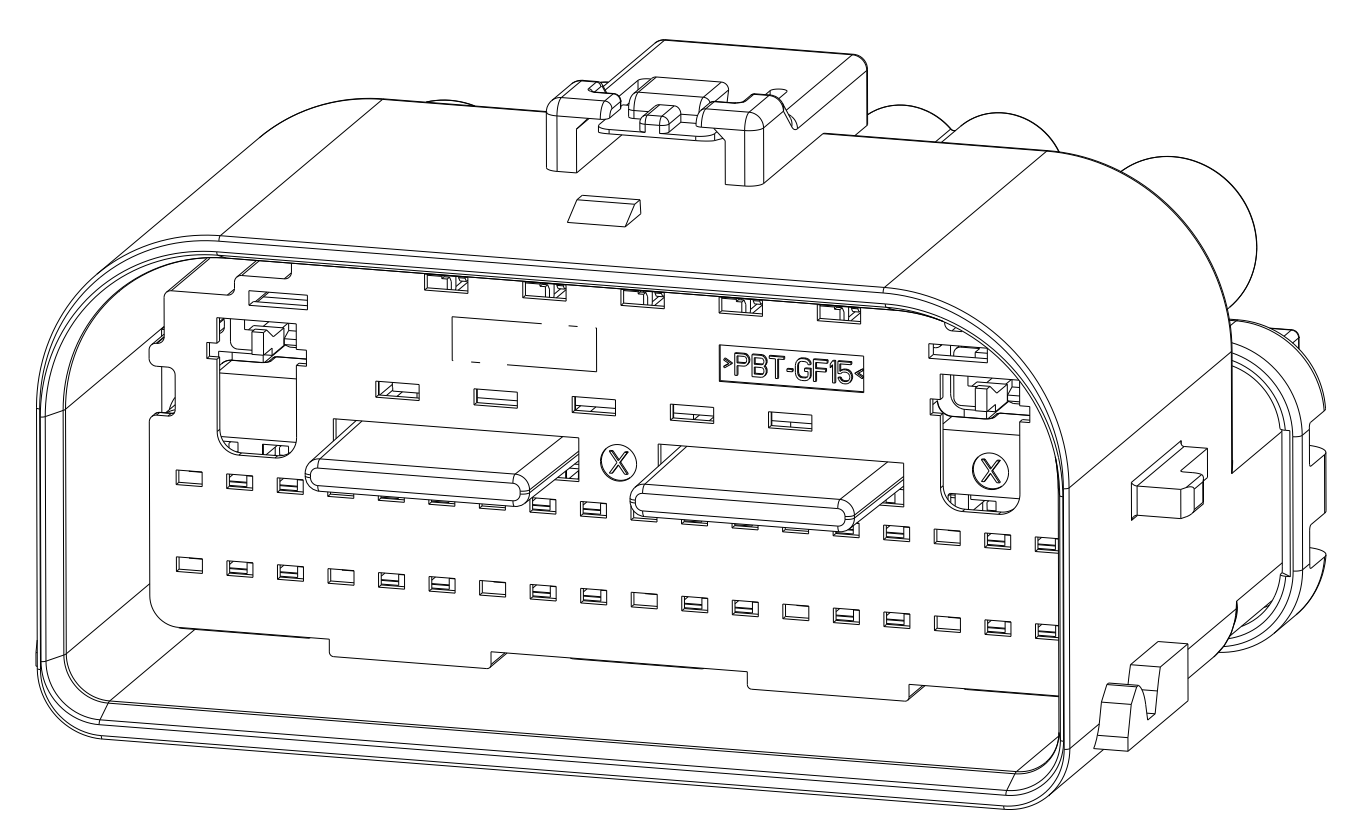
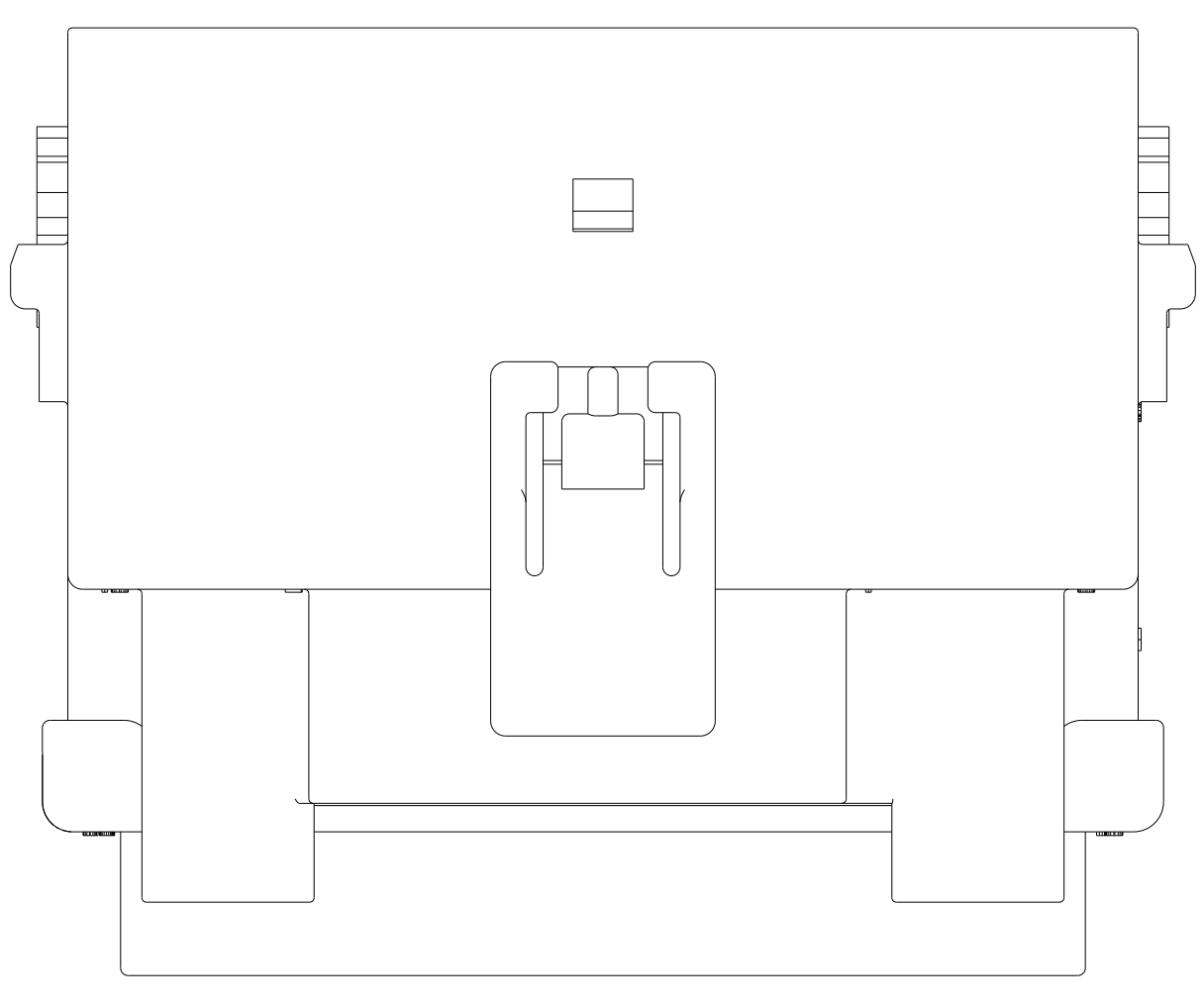


REVISIONS				
#	LTN	DESCRIPTION	DATE	APPD
C5		REVISED PER ECO-19-010139	15/JUL/2019	JMS HC
C6		REVISED PER ECO-20-012737	14/SEP/2020	AP GR
C7		REVISED PER ECO-21-006010	10/MAY/2021	CN HC
C9		REVISED PER ECN-23-196476	08/FEB/2023	SR HC

BOM								
QUANTITY		ITEM	DESCRIPTION	SUPPLIER PART NUMBER	MATERIAL SPECIFICATION	RECYCLING CODE	COLOR	WEIGHT (GRAM)
INDEX B	INDEX A							
-	1	1	HOUSING, KEYING OPTION "A"	1438530-1	30% GF PBT	>PBT-GF30<	BLACK	62.0g
1	-	2	HOUSING, KEYING OPTION "B"	1438530-2	30% GF PBT	>PBT-GF30<	NATURAL	62.0g
1	1	3	TPA	1438532-1	15% GF PBT	>PBT-GF15<	RED	4.6g
1	1	4	ALIGNMENT PLATE	1438586-1	15% GF PBT	>PBT-GF15<	NATURAL	2.9g
1	1	5	END SEAL COVER	1438534-1	15% GF PBT	>PBT-GF15<	BLACK	10.4g
1	1	6	END SEAL GROMMET	2203540-1	SILICONE	>VMQ<	GREEN	4.2g



APPLICABLE COMPONENTS (FOR REFERENCE ONLY)				APPLICABLE WIRE SIZES (FOR REFERENCE ONLY) 1	COMPONENT MATING PART NUMBER
DESCRIPTION	COLOR/PLATING	SUPPLIER	SUPPLIER PART NUMBER		
CAVITY PLUG - 6.3mm	GREEN	YAZAKI	7158-3080-60	N/A	N/A
CAVITY PLUG - 2.8mm	BLUE	YAZAKI	7158-3114-90	N/A	N/A
TERMINAL - MALE 1.5mm	TIN	TE	1488657-1	16 AWG OR METRIC EQUIVALENT	638652-1
TERMINAL - MALE 1.5mm	TIN	TE	1488657-2	18-20 AWG OR METRIC EQUIVALENT	638652-2
TERMINAL - MALE 2.8mm	TIN	TE	1326031-2	20 AWG OR METRIC EQUIVALENT	1326032-2
TERMINAL - MALE 2.8mm	TIN	TE	1326031-3	18 AWG OR METRIC EQUIVALENT	1326032-3
TERMINAL - MALE 2.8mm	TIN	TE	1326031-4	16 AWG OR METRIC EQUIVALENT	1326032-4
TERMINAL - MALE 2.8mm	TIN	TE	1326031-5	14 AWG OR METRIC EQUIVALENT	1326032-5
TERMINAL - MALE 2.8mm	TIN	TE	1-1326031-1	12 AWG OR METRIC EQUIVALENT	1326032-6
CABLE SEAL - 2.8mm	GREEN	YAZAKI	7158-3111-60	1.2-1.9mm WIRE O.D.	N/A
CABLE SEAL - 2.8mm	YELLOW	YAZAKI	7158-3112-70	1.8-2.3mm WIRE O.D.	N/A
CABLE SEAL - 2.8mm	WHITE	YAZAKI	7158-3113-40	2.1-3.0mm WIRE O.D.	N/A
CABLE SEAL - 2.8mm	LT GRAY	YAZAKI	7158-3110-40	3.1-3.3mm WIRE O.D.	N/A
TERMINAL - MALE 6.3mm	TIN	YAZAKI	7114-4140-02	20-16 AWG OR METRIC EQUIVALENT	7116-4140-02
TERMINAL - MALE 6.3mm	TIN	YAZAKI	7114-4141-02	14 AWG OR METRIC EQUIVALENT	7116-4141-02
TERMINAL - MALE 6.3mm	TIN	YAZAKI	7114-4142-02	12 AWG OR METRIC EQUIVALENT	7116-4142-02
TERMINAL - MALE 6.3mm	TIN	YAZAKI	7114-4143-02	10 AWG OR METRIC EQUIVALENT	7116-4143-02
CABLE SEAL - 6.3mm	RED	YAZAKI	7158-3081-50	1.4-2.3mm WIRE O.D.	N/A
CABLE SEAL - 6.3mm	BLUE	YAZAKI	7158-3082-90	2.1-3.0mm WIRE O.D.	N/A
CABLE SEAL - 6.3mm	BLACK	YAZAKI	7158-3083	3.0-3.8mm WIRE O.D.	N/A
CABLE SEAL - 6.3mm	LT GRAY	YAZAKI	7158-3084-40	3.8-4.05mm WIRE O.D.	N/A

NOTE: SEE SUPPLIER DRAWINGS FOR LATEST INFORMATION AND CRIMP SPECIFICATIONS

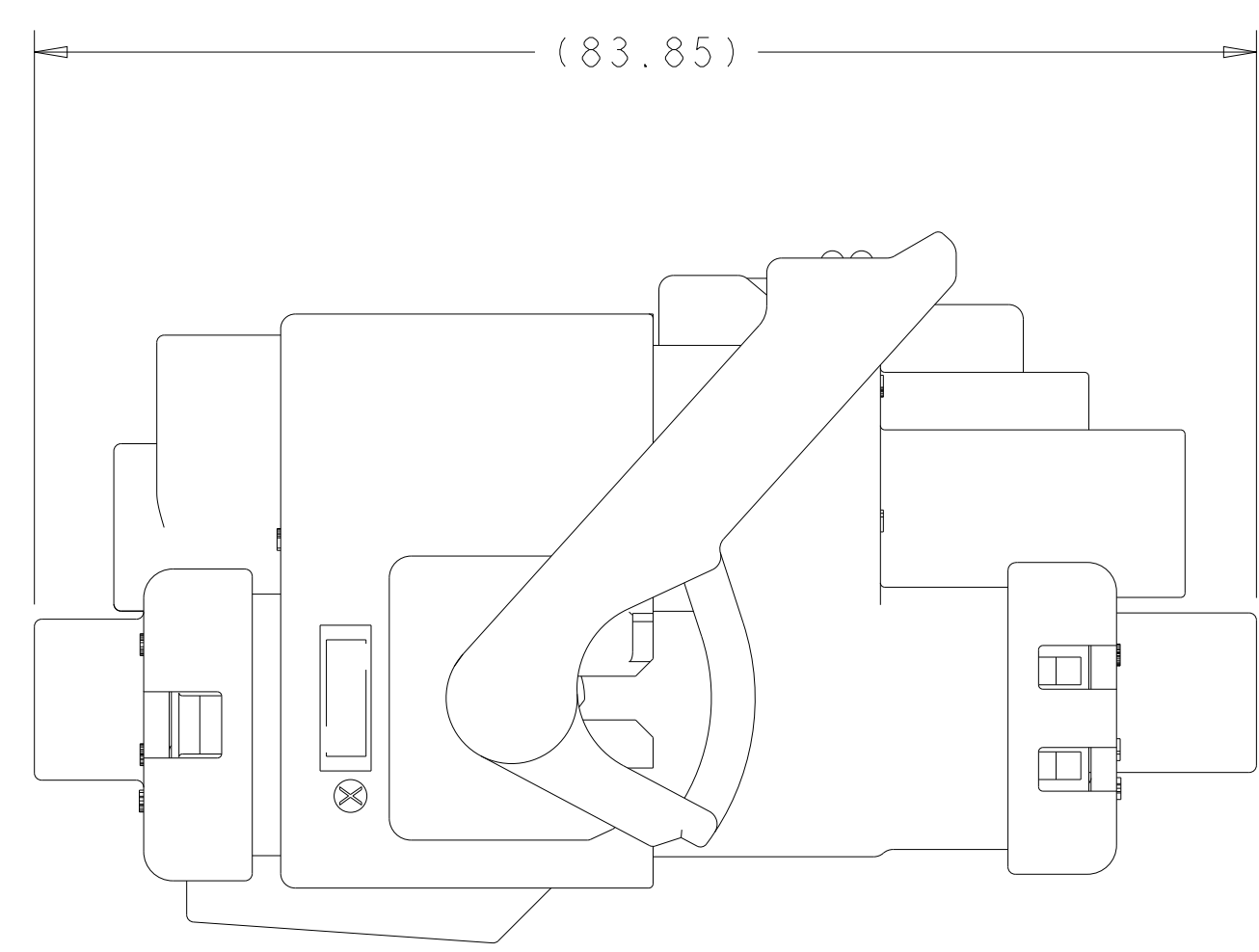
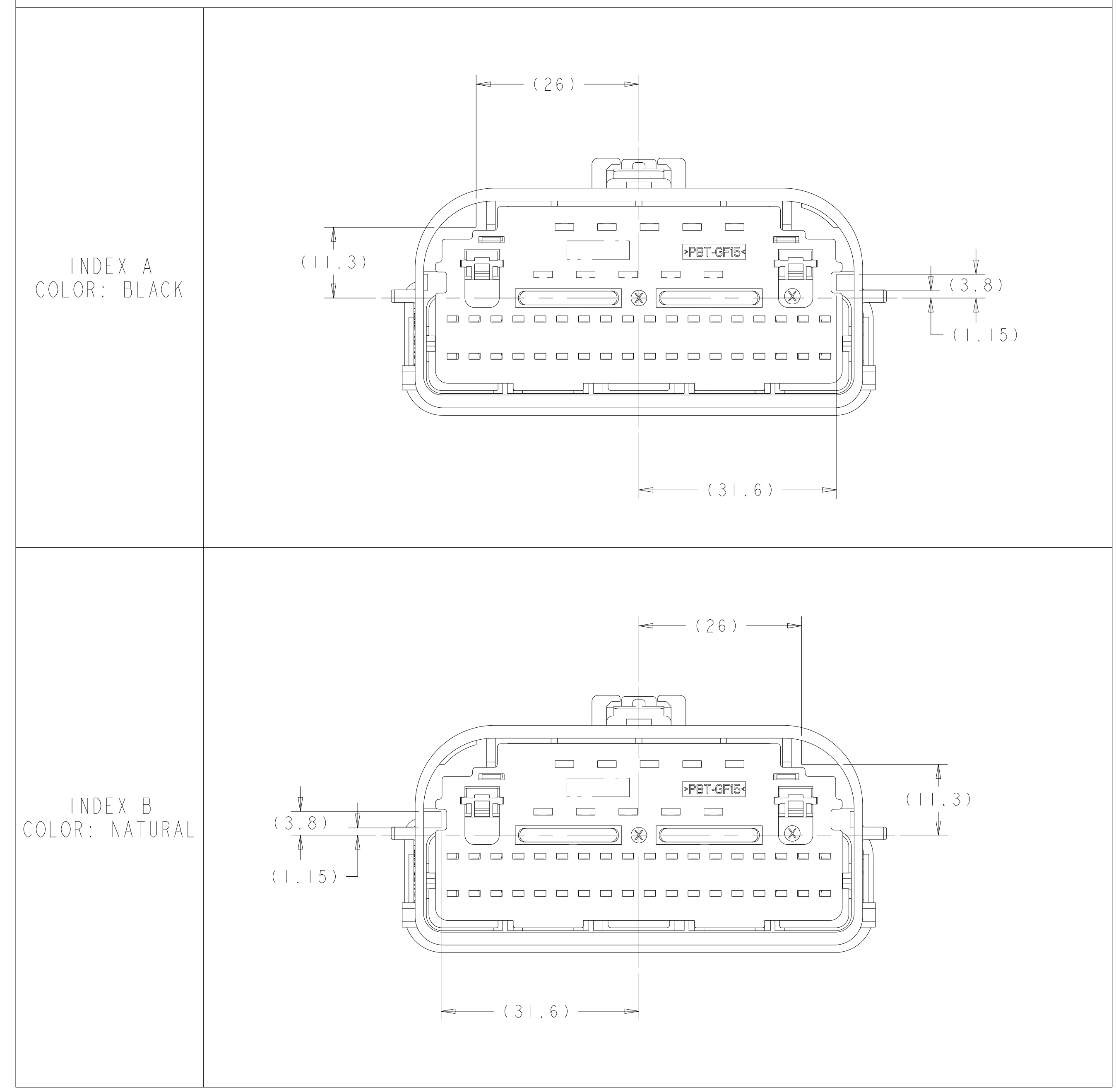
- PRODUCT QUALIFICATION PER USCAR-2, REV 4. REFERENCE DVP&R B046819-DVPR-03, WITH THE FOLLOWING EXCEPTION:
5.4.3.3: MIN FORCE TO REMOVE CONNECTORS FROM PRE-MATE CONDITION IS 10N.
- PRINT JULIAN DATE CODE (YYDDD), 4 DIGIT PART NUMBER CODE (29**) IN THIS LOCATION AT ASSEMBLY. ** REPRESENTS ASSEMBLY DASH NUMBER. LOCATION TBD.
- MATES WITH ASSEMBLY SHOWN ON DRAWING 776728.
TPA AND MAP SHOWN IN DELIVERY POSITION. SEE TE INSTRUCTION SHEET 408-8957 FOR PROPER POSITIONING OF TPA AND MAP, AND TE INSTRUCTION SHEET 408-8929 FOR APPLICATION USE OF THE CONNECTOR SYSTEM.
- NOTE DELETED.
- TERMINAL CAVITIES 13 - 48 ARE RESTRICTED TO WIRE O.D. RANGE OF 1.40-2.34mm.
- OBSELETE PART

SEE TABLE SHEET 2
PART NUMBER

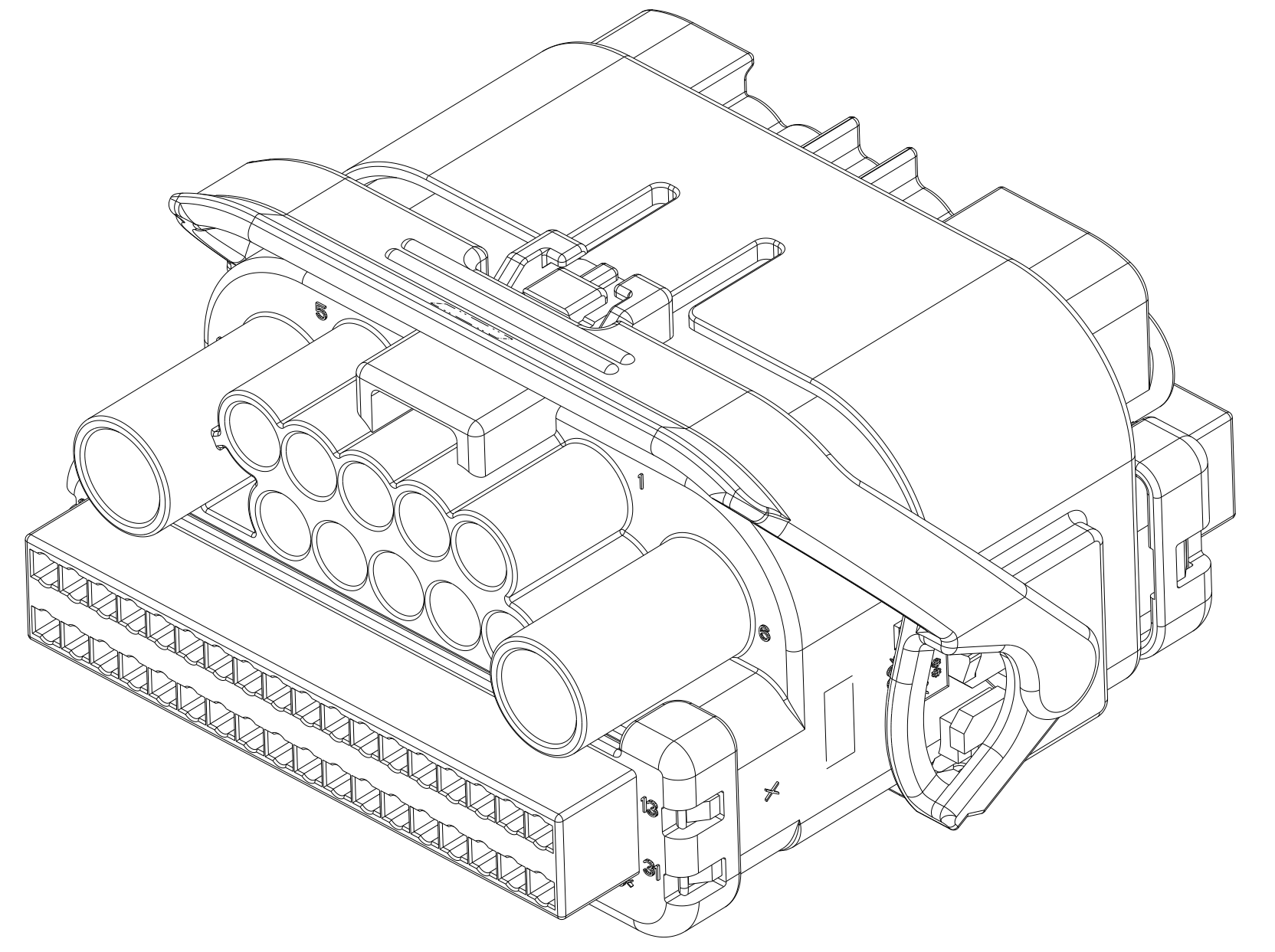
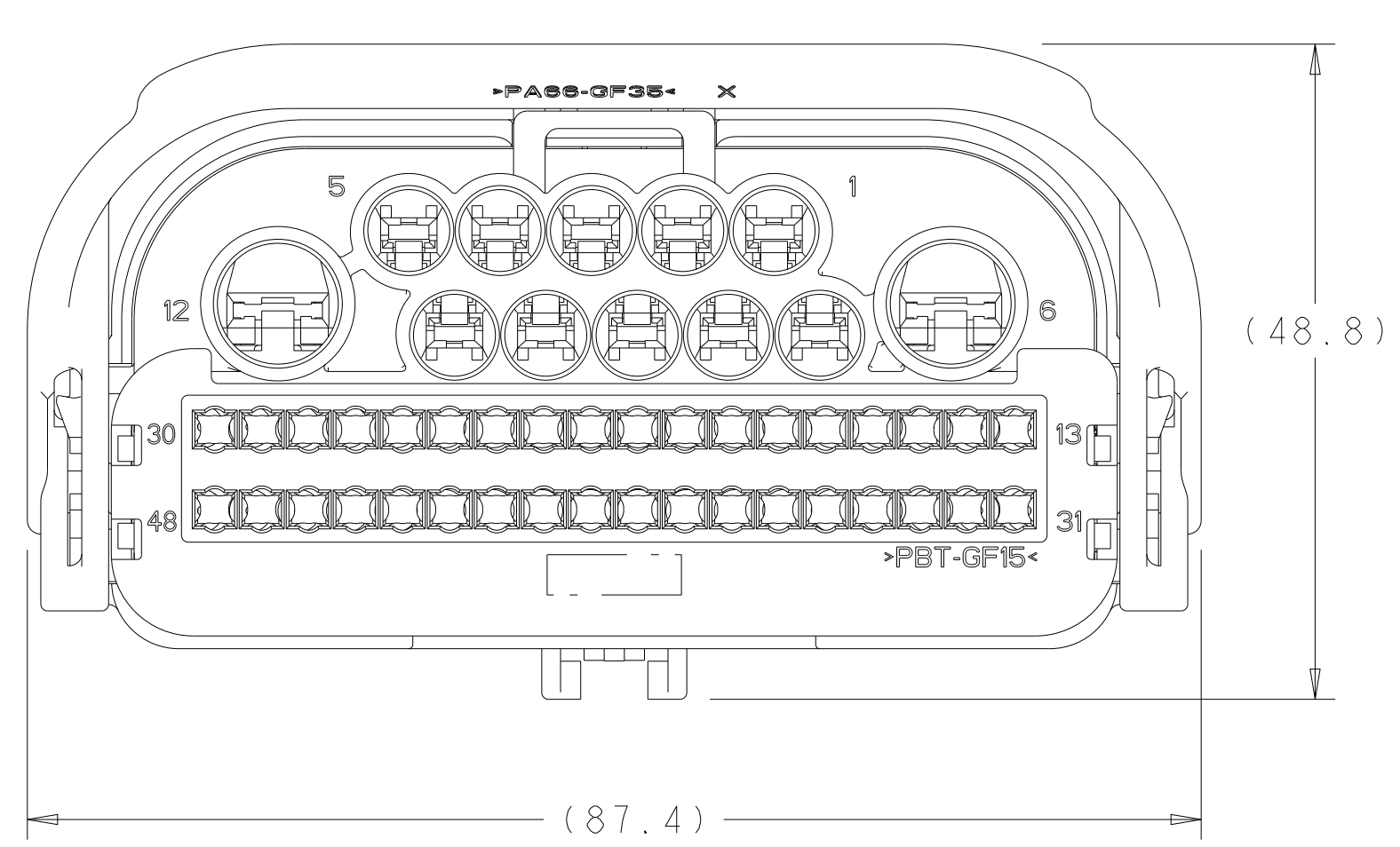
THIS DRAWING IS A CONTROLLED DOCUMENT.		DATE	19JUL2005	BY	TE	19JUL2005	APPD	JMS	
DIMENSIONS:		UNIT	MM	SCALE	1:1	DATE	19JUL2005	APPD	AP
MATERIAL:		FINISH:	WEIGHT:	84g	SCALE	1:1	DATE	19JUL2005	APPD
CUSTOMER DRAWING		SCALE	1:1	DATE	19JUL2005	APPD	AP	GR	

STE TE Connectivity
CAP ASSEMBLY, 48-WAY, SEALED, HYBRID, MALE
00779 776729

HARNES KEYING OPTIONS



MATED ASSEMBLY



MALE CONNECTOR (CAP)
COVER HOLE PLUG CONFIGURATION

PART NUMBER	KEY
776729-1	A
776729-2	B
776729-3	A
776729-4	B
776729-5	B
776729-6	B
776729-7	B
776729-8	B
776729-9	B
1-776729-0	A
1-776729-1	A
1-776729-2	A
1-776729-3	B
1-776729-4	B
1-776729-5	B
1-776729-6	A
1-776729-7	A
1-776729-8	A
1-776729-9	A
2-776729-0	A
2-776729-1	A
2-776729-2	A
2-776729-3	A
2-776729-4	A
2-776729-5	A
2-776729-6	A
2-776729-7	A
2-776729-8	A
2-776729-9	A
3-776729-0	A
3-776729-1	A
3-776729-2	B
3-776729-3	B
3-776729-4	B
3-776729-5	B
3-776729-6	A
3-776729-7	A
3-776729-8	A
3-776729-9	B
4-776729-0	B
4-776729-1	B
4-776729-2	B
4-776729-3	B
4-776729-4	B
4-776729-5	B
4-776729-6	B
4-776729-7	B
4-776729-8	B
4-776729-9	B
5-776729-0	B
5-776729-1	A
5-776729-2	A
5-776729-3	B
5-776729-4	A
5-776729-5	B
5-776729-6	A
5-776729-7	A
5-776729-8	A
5-776729-9	A
6-776729-0	A
6-776729-1	A
6-776729-2	A
6-776729-3	A
6-776729-4	A
6-776729-5	A
6-776729-6	A
6-776729-7	A
6-776729-8	A
6-776729-9	A
7-776729-0	A
7-776729-1	A
7-776729-2	A
7-776729-3	A
7-776729-4	A
7-776729-5	A
7-776729-6	A
7-776729-7	A
7-776729-8	A

CAVITIES WITH A NUMERIC SYMBOL INDICATES CLOSED TERMINAL LOCATIONS
 BLANK CAVITIES INDICATES OPEN TERMINAL HOLE LOCATIONS

REVISIONS

NO.	DATE	DESCRIPTION	BY	APP
1	SEE SHEET 1			

THIS DRAWING IS A CONTROLLED DOCUMENT.		REV. 1	DATE: 19JUL2005
DIMENSIONS:	INCHES	0	APPROVED:
	MILLIMETERS	1	
MATERIAL:	0	FINISH:	
	1		
	2		
	3		

STE TE Connectivity

**CAP ASSEMBLY,
48-WAY, SEALED, HYBRID,
MALE**

SCALE: 2:1 SHEET 2 OF 2