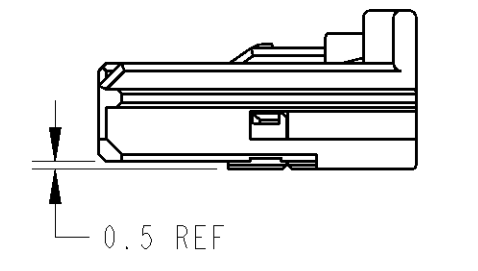
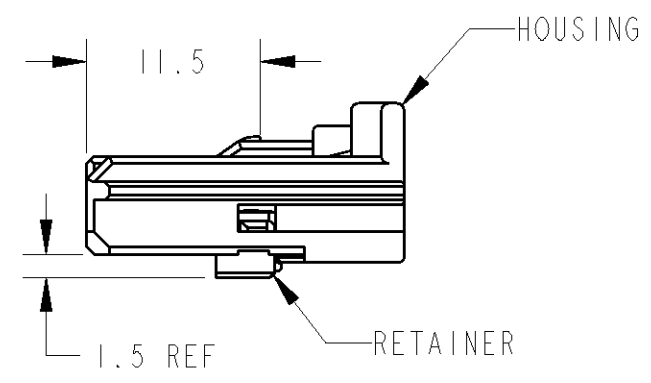
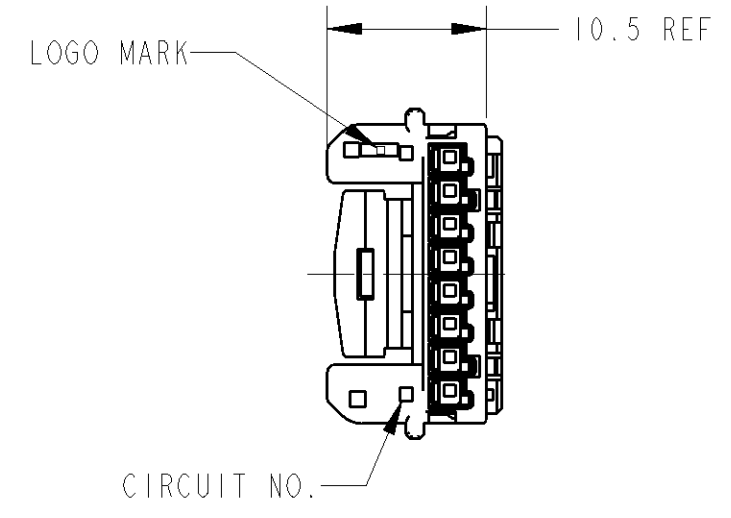
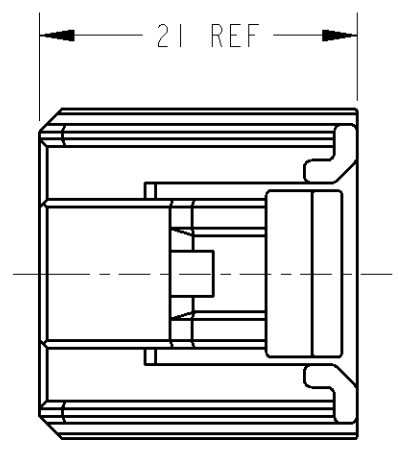
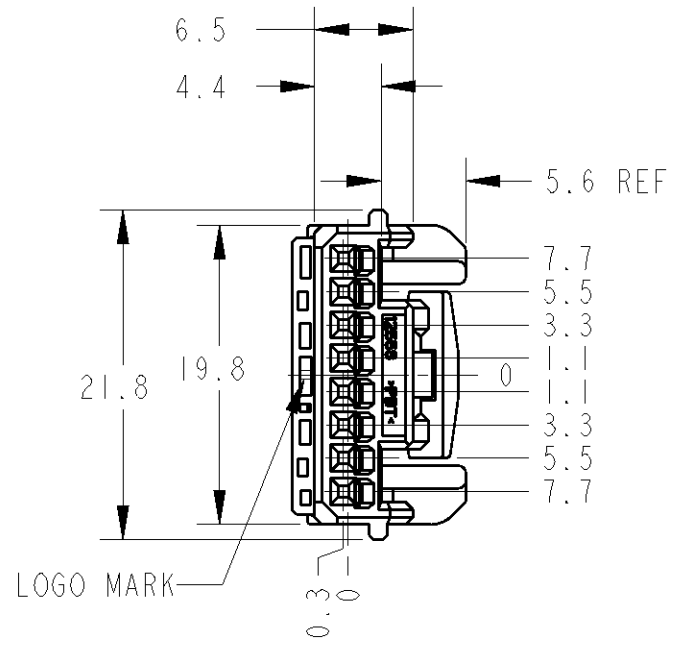


THIS DRAWING IS UNPUBLISHED. RELEASED FOR PUBLICATION 20
 © COPYRIGHT 20 BY TYCO ELECTRONICS CORPORATION. ALL RIGHTS RESERVED.

LOC	DIST	REVISIONS						
		P	LTR	DESCRIPTION	ECN	DATE	DWN	APVD
J	-		0	RELEASED	FJA0-0387-04	13AUG04	YM	HY
			01	REVISED	FJA0-0014-05	7JAN05	YM	HY
			A	REVISED	ECR-10-007503	10MAY10	TS	KB



1. RETAINER SHOULD BE PRE-ASSEMBLED CONDITION TO HOUSING.
2. INSTRUCTION SHEET NO.411-78080.
3. PART NUMBER OF CAP HOUSING TO BE MATED : SEE TABLE-1
4. APPLIED TERMINALS : SEE TABLE-2

1. ブラックハウジングにリテーナを仮係止して出荷される
2. 取扱説明書NO. 411-78080
3. 嵌合相手型番 : TABLE-1参照
4. 適用端子 : TABLE-2参照

PRE-ASSEMBLED CONDITION
仮係止状態

FINAL LOCK CONDITION
本係止状態

TABLE-1

POS 極数	CAP ASSEMBLY PART NO. キャップ番号
8	1376366
	1747285

TABLE-2

		TERMINAL NO. 端子型番	APPLICABLE WIRE RANGE 適用電線
SIGNAL 0.64111	TIN	1674311-1	AVSS/CAVS/CAVUS/AVSSH-f 0.3~0.5mm ²
	SELECTIVE GOLD	1674311-2	

PAPER BOX タンボール	PLASTIC BAG ビニール袋	BLACK	1746875-2
		NATURAL	1746875-1
OUTER 外装	INNER 内装	COLOR	PART NUMBER
PACKING STYLE 梱包形態			

THIS DRAWING IS A CONTROLLED DOCUMENT FOR TYCO ELECTRONICS CORPORATION
IT IS SUBJECT TO CHANGE AND THE CONTROLLING ENGINEERING ORGANIZATION
SHOULD BE CONTACTED FOR THE LATEST REVISION.

DWN Y. MITO	13AUG04	Tyco Electronics Corporation Kawasaki, Japan	NAME 名称 0.64111 CONNECTOR 1ROW 8 POSITION PLUG ASSEMBLY
CHK H. YAMAGAMI	13AUG04		
APVD S. ISOHATA	13AUG04		
PRODUCT SPEC 製品規格 108-5931			
MATERIAL 材料 PBT	FINISH 仕上 SEE TABLE	APPLICATION SPEC 取付適用規格 114-5329	RESTRICTED TO -
WEIGHT 2.27 g		SIZE A3	CAGE CODE 00779
CUSTOMER DRAWING		DRAWING NO. 番号 C=1746875	SCALE 尺度 2:1
		SHEET 1	OF 1
		REV A	