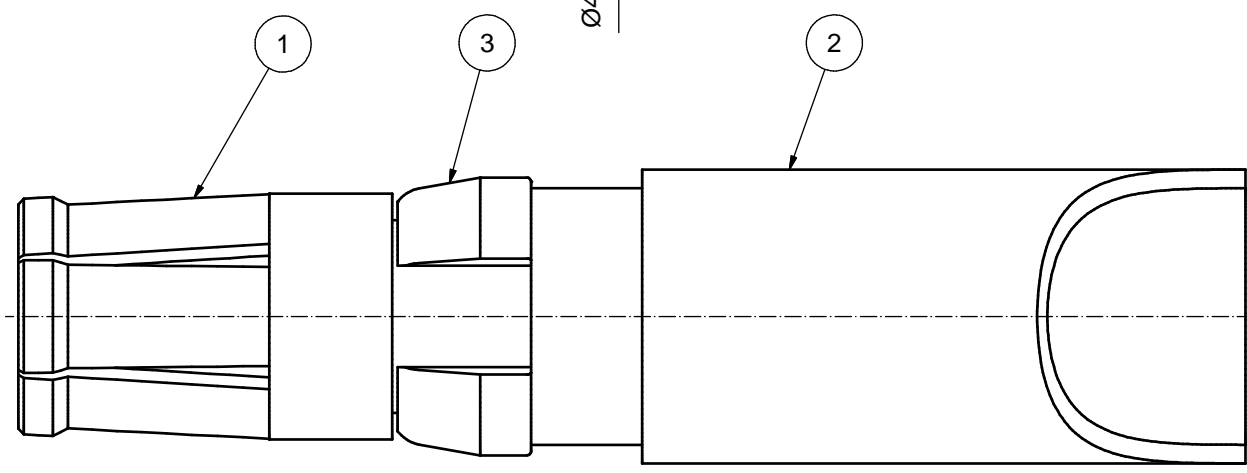
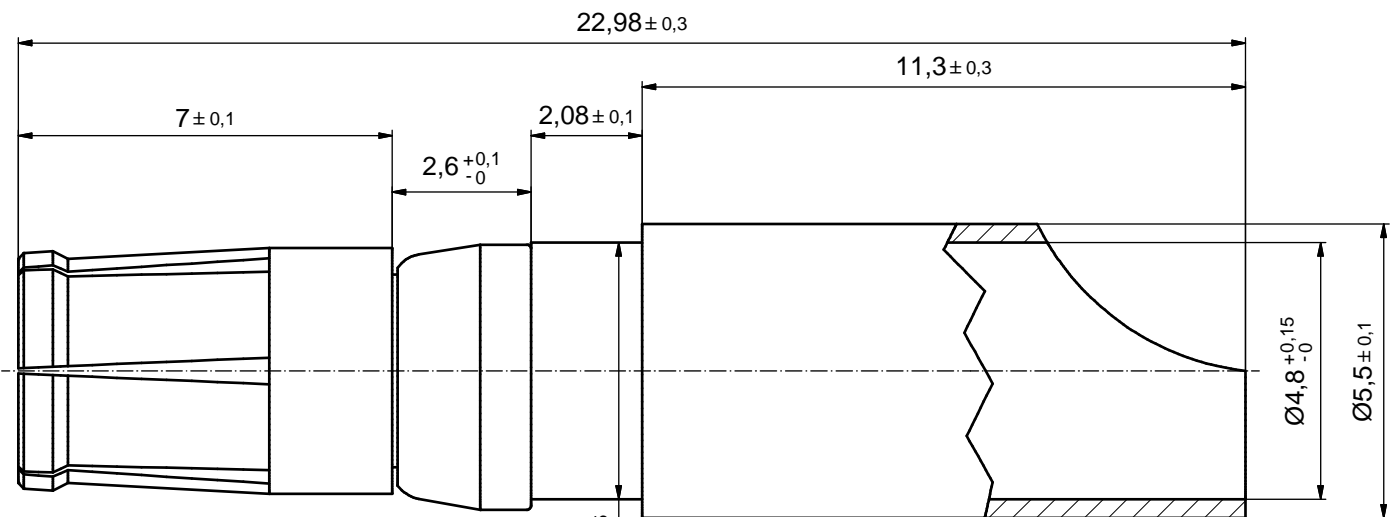
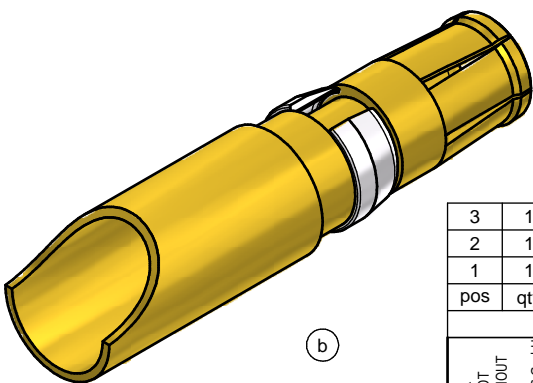
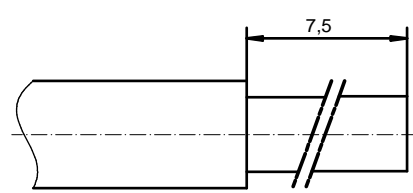


6 5 4 3 2 1



(b) STRIPPING DIMENSION



(b)

plating item 1	part no.
GOLD FLASH over NICKEL	132A10049X
30µin HARD GOLD over min. 50µin NICKEL	132C10049X

(b)

3	1	RETAINING RING	COPPER ALLOY	NICKEL PLATED
2	1	REAR SIDE	COPPER ALLOY	GOLD
1	1	MATING SIDE	COPPER ALLOY	SEE TABLE
pos	qty	description	material	plating

THIS DRAWING MAY NOT BE COPIED OR REPRODUCED IN ANY WAY, AND MAY NOT BE PASSED ON TO A THIRD PARTY WITHOUT WRITTEN PERMISSION. OWNERSHIP AND COPYRIGHT OF CONEC GmbH DO NOT ALTER CAD DRAWING BY HAND	tolerance		dim. in mm		scale: 5:1	
	date		name		material: see partlist	
	drawn	23.03.1998	Barcinski		title: HIGH POWER CONTACT FEMALE SOLDER CUP 40A D-SUB COMBINATION	
	appd.	23.03.1998	Mickenbecker			
	norm					
d-old	13K2IE6A	dwg no:		DIN-A3		
5 x b	A5637	05.05.15	M.H.	(b) 13K1IE6A		
a	Original			sh: 1		
rev.	description	date	name	part no: see table		



RoHS compliant

(b)

6 5 4 3 2 1