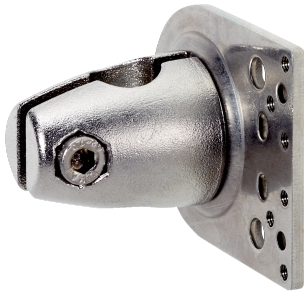


BEF-KHS-N08N

**SICK**  
Sensor Intelligence.



## Ordering information

Type	Part no.
BEF-KHS-N08N	2051616

**Included in delivery:** BEF-KHS-KH3N (1)

Other models and accessories → [www.sick.com/](http://www.sick.com/)

## Detailed technical data

### Technical specifications

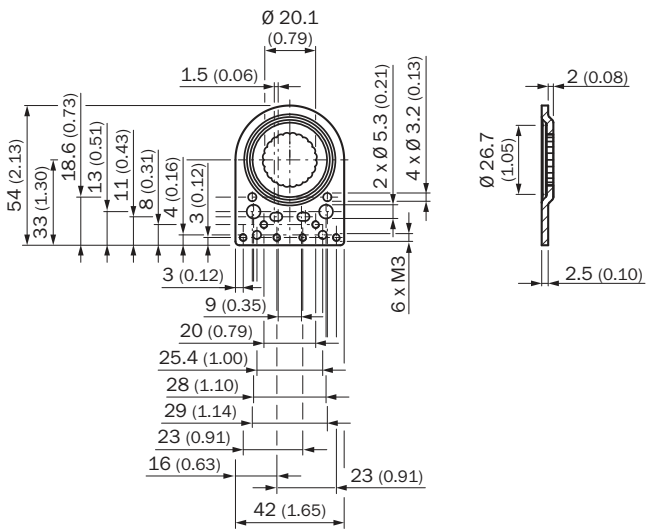
<b>Accessory group</b>	Universal bar clamp systems
<b>Material</b>	Stainless steel 1.4571 (sheet), Stainless steel 1.4408 (clamp)
<b>Items supplied</b>	Universal clamp (5322627), mounting hardware
<b>Description</b>	Plate N08N for universal clamp bracket
<b>Usable for</b>	W100 W150 W4-3 W4S-3 W8 W9-3 W8G W8 Laser W8 Inox G6 W100 Laser W100-2 W4-3 Glass W4S-3 Glass RAY10 W4SLG-3 W9 GR18 MultiPulse Reflex Array MultiLine LUT3 KT5 KT8 KT10 CS8 G6 Inox

### Classifications

<b>eCl@ss 5.0</b>	27279202
<b>eCl@ss 5.1.4</b>	27279202
<b>eCl@ss 6.0</b>	27279202
<b>eCl@ss 6.2</b>	27279202
<b>eCl@ss 7.0</b>	27279202
<b>eCl@ss 8.0</b>	27279202
<b>eCl@ss 8.1</b>	27279202
<b>eCl@ss 9.0</b>	27273701

<b>eCl@ss 10.0</b>	27273701
<b>eCl@ss 11.0</b>	27273701
<b>eCl@ss 12.0</b>	27273701
<b>ETIM 5.0</b>	EC002024
<b>ETIM 6.0</b>	EC002024
<b>ETIM 7.0</b>	EC002024
<b>ETIM 8.0</b>	EC002024
<b>UNSPSC 16.0901</b>	32131023

Dimensional drawing (Dimensions in mm (inch))



## SICK AT A GLANCE

SICK is one of the leading manufacturers of intelligent sensors and sensor solutions for industrial applications. A unique range of products and services creates the perfect basis for controlling processes securely and efficiently, protecting individuals from accidents and preventing damage to the environment.

We have extensive experience in a wide range of industries and understand their processes and requirements. With intelligent sensors, we can deliver exactly what our customers need. In application centers in Europe, Asia and North America, system solutions are tested and optimized in accordance with customer specifications. All this makes us a reliable supplier and development partner.

Comprehensive services complete our offering: SICK LifeTime Services provide support throughout the machine life cycle and ensure safety and productivity.

For us, that is “Sensor Intelligence.”

## WORLDWIDE PRESENCE:

Contacts and other locations [www.sick.com](http://www.sick.com)