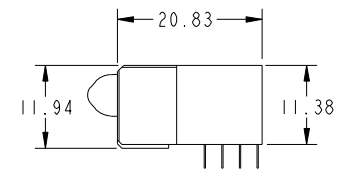
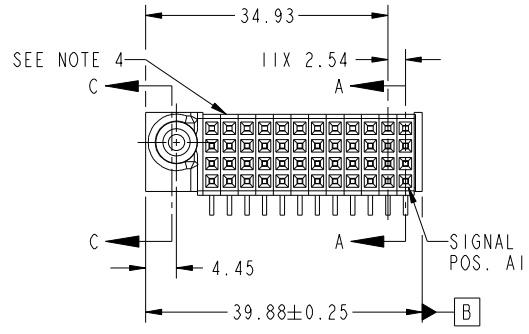


Tous droits strictement reserves. Reproduction ou communication a des tiers interdite sous quelque forme que ce soit sans autorisation écrite du propriétaire. Propriete de c FCI. Droits de reproduction FCI.



All rights strictly reserved. Reproduction or issue to third parties in any form whatever is not permitted without written authority from the proprietor. Property of FCI. Copyright FCI.

PRODUCT NO.	ROWS	SIGNAL														
		E2	12	11	10	9	8	7	6	5	4	3	2	1	E1	
51915-228-- NOTE 3	D C B A	H	H	H	H	H	H	H	H	H	H	H	H	H	H	H
		G	G	G	G	G	G	G	G	G	G	G	G	G	G	G
		F	F	F	F	F	F	F	F	F	F	F	F	F	F	F
		E	E	E	E	E	E	E	E	E	E	E	E	E	E	E



CODE	DIM "M" MATING LENGTH	CONTACT TYPE
H	[N/A]	SIGNAL
G	[N/A]	SIGNAL
F	[N/A]	SIGNAL
E	[N/A]	SIGNAL

mat'l code				SEE NOTE 2		tolerances unless otherwise specified		CUSTOMER		 www.fciconnect.com	
ltr	ecn no.	dr	date	linear	0.X ± 0.5	projection		COPY		title	
A	DG09-0360	WD	11/19/09	angles	0.XX ± 0.25					48S	
				dr	0.XXX ± 0.10					RIGHT ANGLE STB RECEPTACLE	
				enr	0 ± 2°	scale		product family		code	
				chr	Warren Du 09/17/09	1:1		PwrBlade		213	
				appd	Warren Du 09/17/09			size		sheet	
					PM ZHENG 09/17/09			dwg no		1 of 4	
					JOSEPH HSIA 09/17/09			A		51915-228	
sheet index	revision sheet	A	A	A	A					cage code	
1	2	3	4							22526	

Pro/E

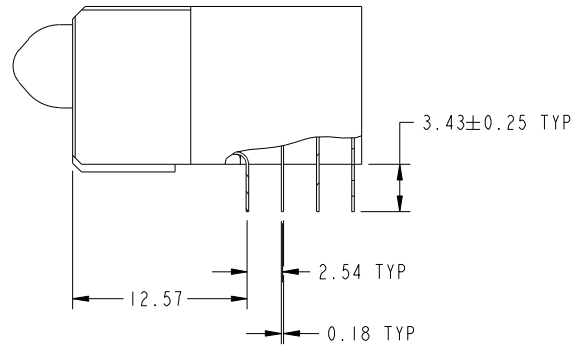
cage code 22526

Tous droits strictement reserves. Reproduction ou communication a des tiers interdite sous quelque forme que ce soit sans autorisation ecrite du proprietaire. Propriete de c FCI. Droits de reproduction FCI.

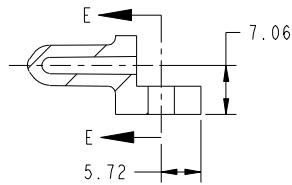


All rights strictly reserved. Reproduction or issue to third parties in any form whatever is not permitted without written authority from the proprietor. Property of FCI. Copyright FCI.

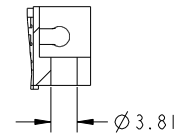
PRODUCT NUMBER
51915-228--
NOTE 3



BROKEN-OUT SECTION A-A
SCALE 2:1



SECTION C-C



PARTIAL SECTION E-E

mat'l code				SEE NOTE 2		tolerances unless otherwise specified		CUSTOMER		FCI	
ltr	ecr no.	dr	date	linear	0.X ± 0.5		COPY		www.fciconnect.com		
A					0.XX ± 0.25		projection		title 48S		
					0.XXX ± 0.10				RIGHT ANGLE STB RECEPTACLE		
				angles	0° ± 2°				product family PwrBlade		code
				dr	Warren Du	09/17/09	scale		size		213
				enr	Warren Du	09/17/09	1:1		dwg no		sheet
				chr	PM ZHENG	09/17/09			A 51915-228		2 of 4
				appd	JOSEPH HSIA	09/17/09					
sheet index	revision sheet										

cage code 22526

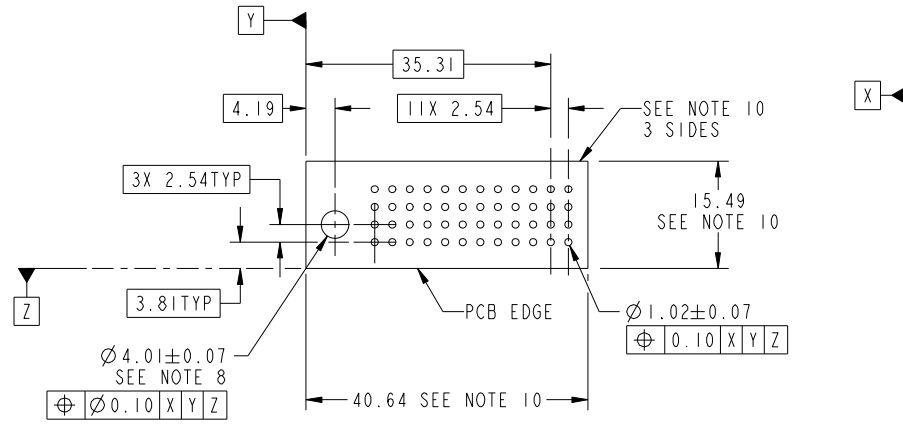
Pro/E

Tous droits strictement reserves. Reproduction ou communication a des tiers interdite sous quelque forme que ce soit sans autorisation écrite du propriétaire. Propriete de c FCI. Droits de reproduction FCI.



All rights strictly reserved. Reproduction or issue to third parties in any form whatever is not permitted without written authority from the proprietor. Property of FCI. Copyright FCI.

PRODUCT NUMBER
51915-228--
NOTE 3



mat'l code		SEE NOTE		tolerances unless otherwise specified		CUSTOMER		 www.fciconnect.com	
ltr	ecn no.	dr	date	linear	0.X ± 0.5	COPY		title	
A					0.XX ± 0.25	projection		48S	
				angles	0.XXX ± 0.10			RIGHT ANGLE STB RECEPTACLE	
				dr	0° ± 2°			product family PwrBlade code	
				enr	Warren Du 09/17/09			size	
				chr	Warren Du 09/17/09	scale		dwg no	
				appd	PM ZHENG 09/17/09	1:1		51915-228	
					JOSEPH HSIA 09/17/09			sheet	
sheet index	revision sheet							3 of 4	

cage code 22526

Pro/E

Tous droits strictement reserves. Reproduction ou communication a des tiers interdite sous quelque forme que ce soit sans autorisation écrite du propriétaire. Propriete de c FCI. Droits de reproduction FCI.



All rights strictly reserved. Reproduction or issue to third parties in any form whatever is not permitted without written authority from the proprietor. Property of FCI. Copyright FCI.

PRODUCT NUMBER
51915-228--
NOTE 3

NOTES:

1. DIMENSIONS AND TOLERANCES ARE IN ACCORDANCE WITH ASME Y14.5M, 1994 UNLESS OTHERWISE SPECIFIED.

CONNECTOR NOTES:

2. HOUSING MATERIAL: UL 94 V-0 GLASS FILLED HIGH-TEMP THERMOPLASTIC
POWER CONTACT MATERIAL: COPPER ALLOY
SIGNAL PIN MATERIAL: COPPER ALLOY

3. SEE ITEM 5 & 6 IN PRINT 10064183 FOR PLATING SPEC OF 51915-228 AND 51915-228LF RESPECTIVELY.

4. MANUFACTURER'S NAME, DATE CODE AND OPTIONAL P/N TO APPEAR ON THIS SURFACE. THE P/N CAN BE OMITTED IF THERE IS NOT ENOUGH SPACE ON THIS SURFACE.

5. PRODUCT SPECIFICATION GS-12-149.
APPLICATION SPECIFICATION BUS-20-067.

6. PACKAGED IN TRAYS.

PCB NOTES:

7. ALL HOLE DIAMETERS ARE FINISHED HOLE SIZE.

8. MOUNTING HOLES, WHERE APPLICABLE, ARE UNPLATED.

9. $\varnothing 1.151 \pm 0.025$ DRILLED HOLES PLATED WITH
0.008 MIN SnPb OR Sn OVER 0.03
TO 0.08 Cu PLATING TO ACHIEVE
 $\varnothing 1.02 \pm .07$ HOLE.

10. CONNECTOR KEEP-OUT ZONE.

mat'l code				SEE NOTE 2		tolerances unless otherwise specified		CUSTOMER		FCI		www.fciconnect.com	
ltr	ecr no.	dr	date	linear	0.X ± 0.5		COPY		projection	title			48S
A					0.XX ± 0.25		MIM			RIGHT ANGLE STB RECEPTACLE			
					0.XXX ± 0.10		←			product family			PwrBlade
				angles	0° ± 2°		scale		size			dwg no	213
				dr	Warren Du	09/17/09	1:1		A			51915-228	sheet
				enrg	Warren Du	09/17/09						4 of 4	
				chr	PM ZHENG	09/17/09							
				appd	JOSEPH HSIA	09/17/09							
sheet index		revision sheet											

cage code 22526

Pro/E