

794116-1 ✓ ACTIVE

MATE-N-LOK | Commercial MATE-N-LOK

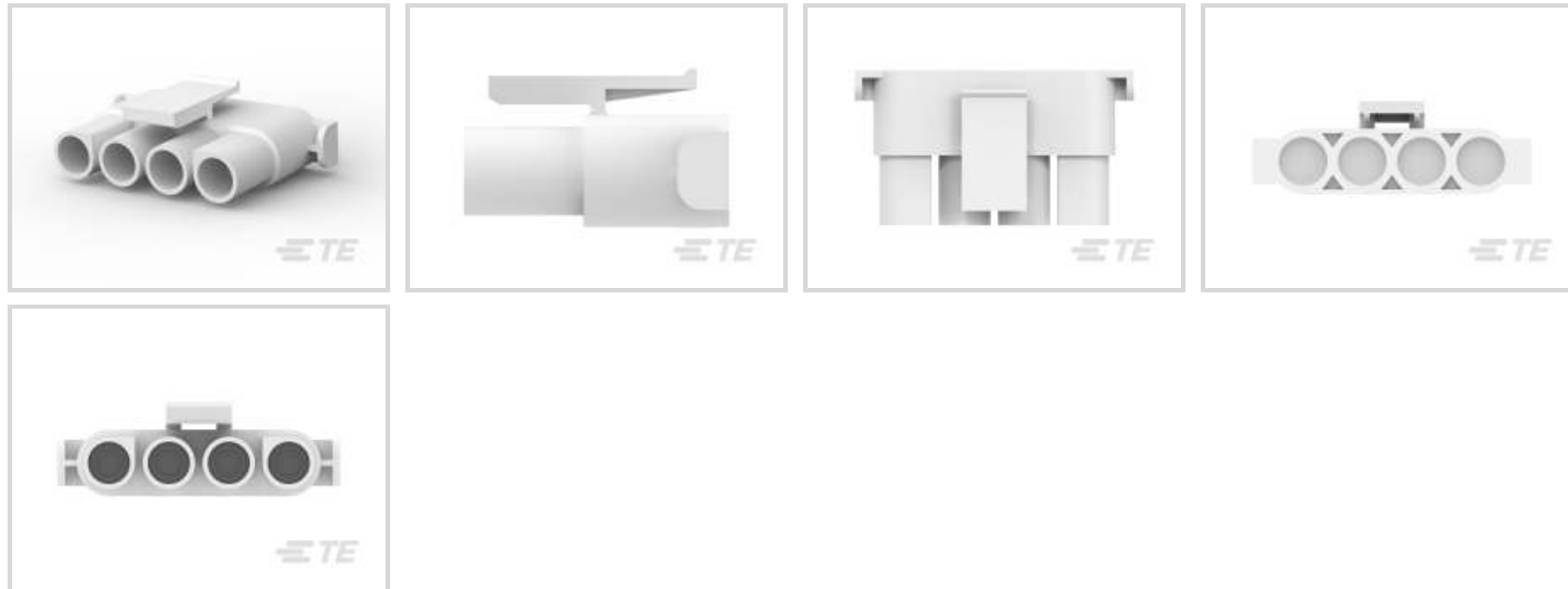
TE Internal #: 794116-1

Rectangular Power Connectors, Housing, Plug, Wire-to-Wire, 4 Position, 9.91 mm [.39 in] Centerline, Wire & Cable, UL 94V-2, Commercial MATE-N-LOK

[View on TE.com >](#)



Connectors > Power Connectors > Rectangular Power > Rectangular Power Connectors



Rectangular Power Connector Type: **Housing**

Connector & Housing Type: **Plug**

Connector System: **Wire-to-Wire**

Number of Positions: **4**

Centerline (Pitch): **9.91 mm [.39 in]**

Features

Product Type Features

Rectangular Power Connector Type	Housing
Connector & Housing Type	Plug
Connector System	Wire-to-Wire
Sealable	No
Connector & Contact Terminates To	Wire & Cable

Configuration Features

Number of Positions	4
Number of Rows	1

Electrical Characteristics

Operating Voltage	600 VAC
-------------------	---------

Contact Features

Contact Layout	Inline
Contact Retention Within Housing	Without
Contact Type	Socket



Termination Features

Termination Method to Wire & Cable	Crimp
------------------------------------	-------

Mechanical Attachment

Connector Mounting Type	Panel Mount
-------------------------	-------------

Housing Features

Centerline (Pitch)	9.91 mm [.39 in]
--------------------	------------------

Housing Color	Natural
---------------	---------

Housing Material	Nylon
------------------	-------

Dimensions

1.02 in

Usage Conditions

Operating Temperature Range	-55 – 105 °C [-67 – 221 °F]
-----------------------------	-----------------------------

Operation/Application

Circuit Application	Power & Signal
---------------------	----------------

Industry Standards

UL Flammability Rating	UL 94V-2
------------------------	----------

Glow Wire Rating	Standard Part - Not Glow Wire
------------------	-------------------------------

Packaging Features

Packaging Quantity	1
--------------------	---

Packaging Method	Package
------------------	---------

Product Compliance

[For compliance documentation, visit the product page on TE.com>](#)

EU RoHS Directive 2011/65/EU	Compliant
------------------------------	-----------

EU ELV Directive 2000/53/EC	Compliant
-----------------------------	-----------

China RoHS 2 Directive MIIT Order No 32, 2016	No Restricted Materials Above Threshold
---	---

EU REACH Regulation (EC) No. 1907/2006	Current ECHA Candidate List: JUNE 2023 (235) Candidate List Declared Against: JAN 2023 (233) Does not contain REACH SVHC
--	--

Halogen Content	Low Halogen - Br, Cl, F, I < 900 ppm per homogenous material. Also BFR/CFR/PVC
-----------------	--

Free

Solder Process Capability

Not applicable for solder process capability

Product Compliance Disclaimer

This information is provided based on reasonable inquiry of our suppliers and represents our current actual knowledge based on the information they provided. This information is subject to change. The part numbers that TE has identified as EU RoHS compliant have a maximum concentration of 0.1% by weight in homogenous materials for lead, hexavalent chromium, mercury, PBB, PBDE, DBP, BBP, DEHP, DIBP, and 0.01% for cadmium, or qualify for an exemption to these limits as defined in the Annexes of Directive 2011/65/EU (RoHS2). Finished electrical and electronic equipment products will be CE marked as required by Directive 2011/65/EU. Components may not be CE marked. Additionally, the part numbers that TE has identified as EU ELV compliant have a maximum concentration of 0.1% by weight in homogenous materials for lead, hexavalent chromium, and mercury, and 0.01% for cadmium, or qualify for an exemption to these limits as defined in the Annexes of Directive 2000/53/EC (ELV). Regarding the REACH Regulation, the information TE provides on SVHC in articles for this part number is based on the latest European Chemicals Agency (ECHA) 'Guidance on requirements for substances in articles' posted at this URL: <https://echa.europa.eu/guidance-documents/guidance-on-reach>

Compatible Parts

TE Part # 794118-1
04P .156 MNL CAP PANEL MOUNT

TE Part # 61233-1
.156 MNL SOK 12-10 PTPBR

TE Part # 61085-1
.156 MNL SOK PTPBR

TE Part # 794117-1
04P .156 MNL CAP FREE-HANGING

TE Part # 61250-1
AUTO MNL .156 SOK L/P

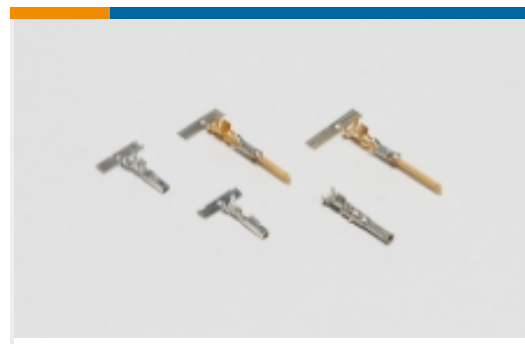
Also in the Series | Commercial MATE-N-LOK

Connector Contacts(20)

Connector Seals & Cavity Plugs(1)

Crimp Wire Pins, Tabs & Ferrules(2)

Insertion & Extraction Tools(5)



Power Contacts(129)



Rectangular Caps & Covers(2)



Rectangular Connector Housings(11)



Rectangular Power Connectors(169)



Standard Circular Connectors(2)

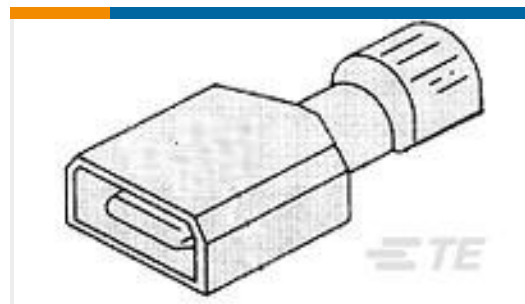


Standard Rectangular Connectors(7)



Wire-to-Board Connector Contacts(1)

Customers Also Bought



TE Part #3-521142-2
ULTRA-FAST 250 ASY TAB 16-14 AWG TPBR



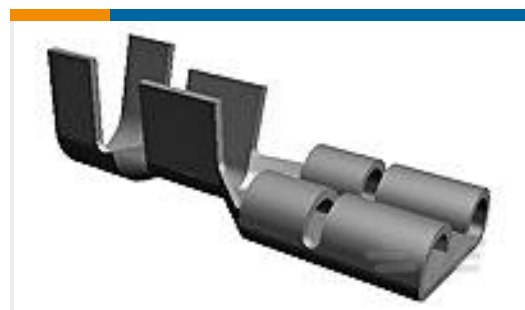
TE Part #61233-1
.156 MNL SOK 12-10 PTPBR



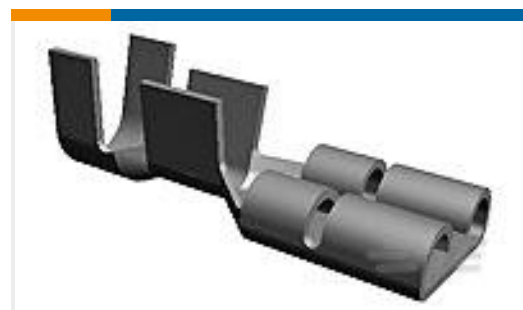
TE Part #61085-1
.156 MNL SOK PTPBR



TE Part #61086-1
.156 MNL PIN 20-14 PTPBR



TE Part #63306-2
250 FASTON REC 18-14 AWG TPBR



TE Part #63435-1
250 FASTON REC 14-10 AWG SPBR



TE Part #690588-1
INSULATION CRIMPER



TE Part #690587-1
WIRE CRIMPER



TE Part #1123721-1
EP CONN. REC CONTACT



TE Part #794199-1
12P MINI UMNL2 CAP HSG DBLROW

Documents



Product Drawings

04P .156 MNL PLUG

English

CAD Files

3D PDF

3D

Customer View Model

[ENG_CVM_CVM_794116-1_D.2d_dxf.zip](#)

English

Customer View Model

[ENG_CVM_CVM_794116-1_D.3d_igs.zip](#)

English

Customer View Model

[ENG_CVM_CVM_794116-1_D.3d_stp.zip](#)

English

Customer View Model

[ENG_CVM_794116-1_C.3d_igs.zip](#)

English

Customer View Model

[ENG_CVM_794116-1_C.3d_stp.zip](#)

English

Customer View Model

[ENG_CVM_794116-1_C.2d_dxf.zip](#)

English

3D PDF

English

By downloading the CAD file I accept and agree to the [Terms and Conditions](#) of use.

Datasheets & Catalog Pages

SOFT_SHELL_PIN_SOCKET_CONNECTORS_STANDARD_DENSITY

English

Product Specifications

Application Specification

English

Product Environmental Compliance

TE Material Declaration

English