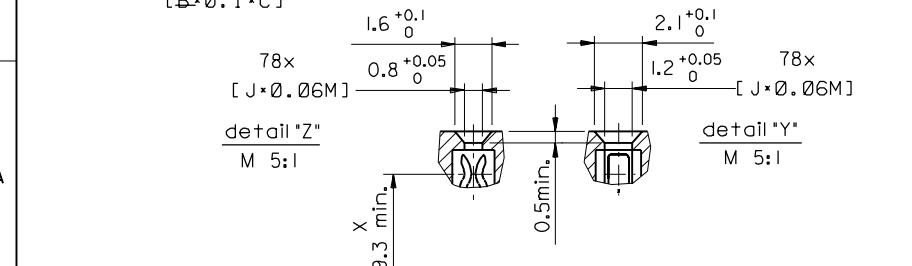
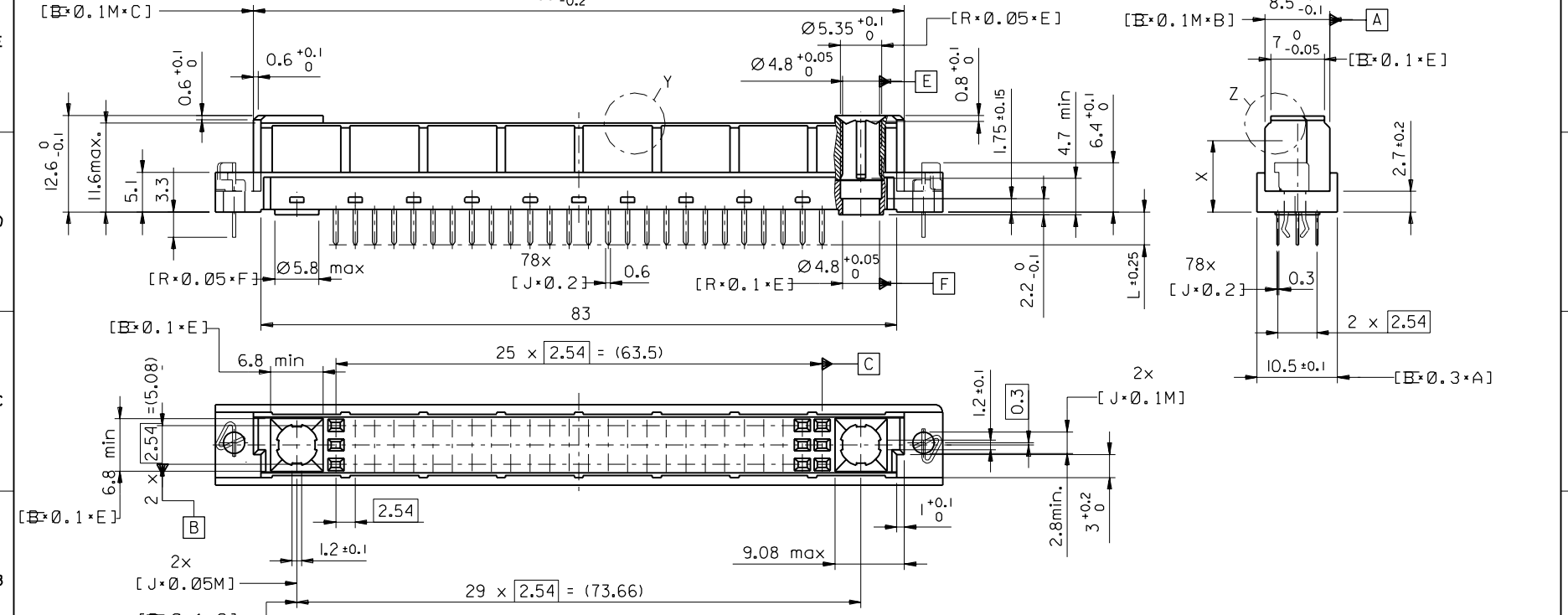


PART NO.
DWG. NO.



FIRST ANGLE PROJECTION		REVISE ONLY ON CAD SYSTEM		SH.	REV.
UNLESS OTHERWISE SPECIFIED TOLERANCES: ANGULAR ±2°		DRWG BY	SIGN	CAD/CAM PROJECT NAME	
INCH		KN		85048000	
METRIC		CHK'D BY	SIGN	611	
3 PLACE ±		Ca		THIS DRAWING CONTAINS INFORMATION THAT IS PROPRIETARY TO MOLEX INC. & SHOULD NOT BE USED WITHOUT WRITTEN PERMISSION	
2 PLACE ±		APP'D BY	SIGN	TITLE	
1 PLACE ±		JB		78 pol. Federleiste	
DRAFT WHERE APPLICABLE MUST REMAIN WITHIN DIMENSIONS		SCALE		78 pos. female connector	
DESIGN DIMENSION <input checked="" type="checkbox"/> MM				DIN 41612, style M	
EQUIVALENT DIMENSION <input type="checkbox"/> IN.				MOLEX EUROPE	
EQUIVALENT DIMENSION <input type="checkbox"/> MM				SHEET NO. DATE	
EQUIVALENT DIMENSION <input type="checkbox"/> IN.				1 OF 2 97/04/11	
IF TWO DIMENSIONS ARE SHOWN THE UPPER IS THE DESIGN DIMENSION, LOWER IS SECONDARY				PART NO.	
				SD-85048-0001	
				DWG NO.	
				SIZE	
				B	

