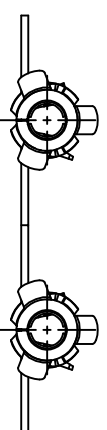
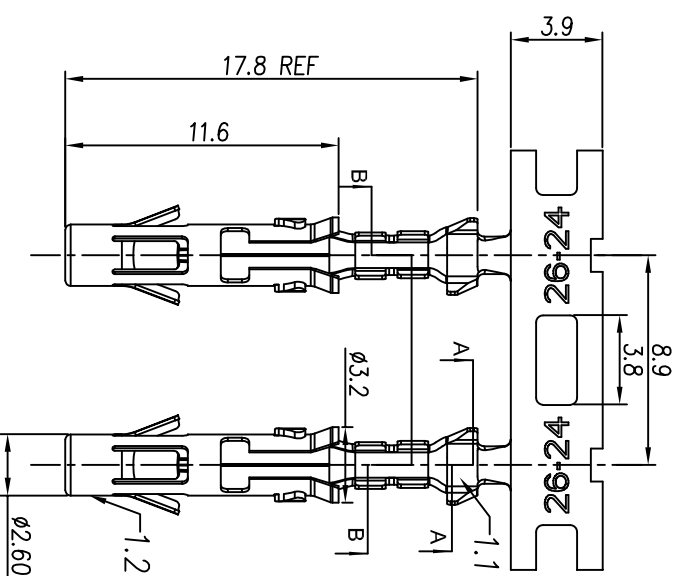
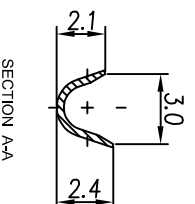
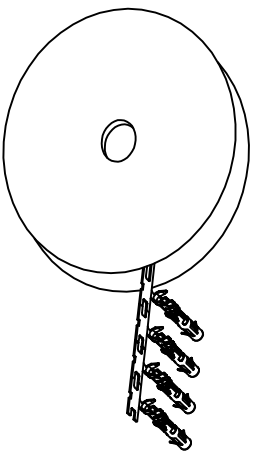


REVISIONS				
REV	ECO	DESCRIPTION	DATE	BY APPR
A1	-	RELEASED DRAWING	Jul-16-18	Flan Tommy



CONTACT ORIENTATION ON ROLL(3000PCS/COIL)

NOTES : (UNLESS OTHERWISE SPECIFIED)

1. MATERIAL :
  - 1.1. CONTACT BODY : COPPER ALLOY.
  - 1.2. OUTER SPRING : STAINLESS STEEL.
2. SPECIFICATIONS :
  - 2.1 CURRENT RATING : 13A MAX.
  - 2.2 TERMINATION TYPE : CRIMPING.
  - 2.3 WIRE RANGE : 26~24AWG.
  - 2.4 WIRE INSULATION DIA(MAX) :  $\phi$ 2.1mm.
3. ROHS COMPLIANT.
4. ALL DIMENSIONS ARE FOR REFERENCE USE ONLY.
5. AVAILABLE TOOLS :
  - 5.1 HAND CRIMPER : MFX-3954.
  - 5.2 CRIMP APPLICATOR : MFX-3957.
  - 5.3 EXTRACTION TOOL : QXRT16.

P/N	CONTACT PLATING(MATING AREA)
SS24M2T	TIN PLATING OVER NICKEL.
SS24M2N	NICKEL PLATING OVER COPPERIZE.
SS24M2F	GOLD FLASH PLATING OVER NICKEL.
SS24M2G5	5 $\mu$ "GOLD PLATING OVER NICKEL.
SS24M2G10	10 $\mu$ "GOLD PLATING OVER NICKEL.
SS24M2G15	15 $\mu$ "GOLD PLATING OVER NICKEL.
SS24M2G30	30 $\mu$ "GOLD PLATING OVER NICKEL.

QUANTITY	PART NUMBER	DESCRIPTION	ITEM
<b>MATERIALS LIST</b>			
UNLESS OTHERWISE SPECIFIED 1) All dimensions are in millimeters. 2) Tolerances are as follows: 1 PL DEC 24.030 Fractions 1/16" 3 PL DEC 24.030 Angles 1°			
3) Note reference =			
MATERIAL SPECIFICATIONS:		CUSTOMER: Tommy Jul-16-18	
PROCESS SPECIFICATIONS:		THE DRAWING IS SUBJECT TO THE LATEST REVISIONS AND PERFORMANCE DATA SPECIFICATIONS AND PERFORMANCE DATA OF THE MATERIALS MANUFACTURED BY THE MANUFACTURING VARIATIONS. ALL REVISIONS SHALL BE INDICATED BY A CIRCLED NUMBER IN THE DRAWING.	
SCALE: NONE	SIZE: B	TYPE: C-	REV: A1
SHEET: 1	OF: 1	SS24M2XX	ECO-MATE SOCKET CONTACT, STAMPED, 26-24AWG, SIZE 16
<b>Amphenol</b> Sine Systems - www.amphenol-sine.com 44724 Morley Drive Clinton Township, MI 48036			