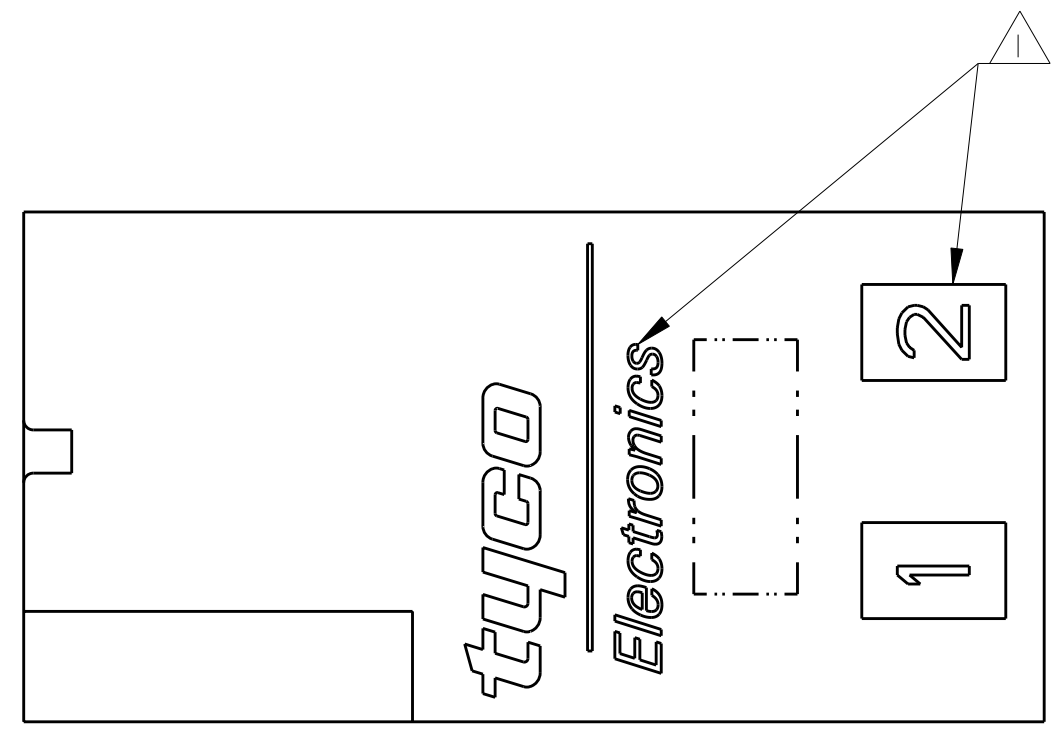
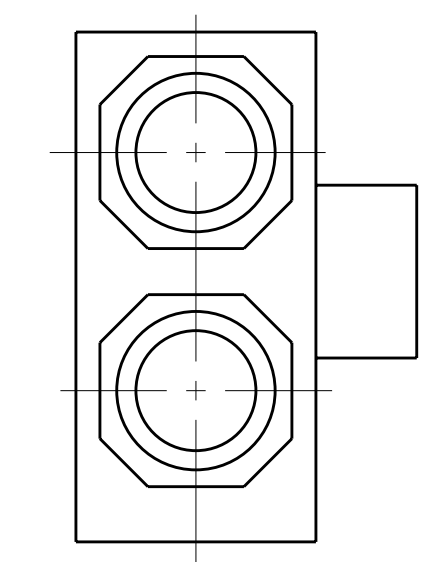
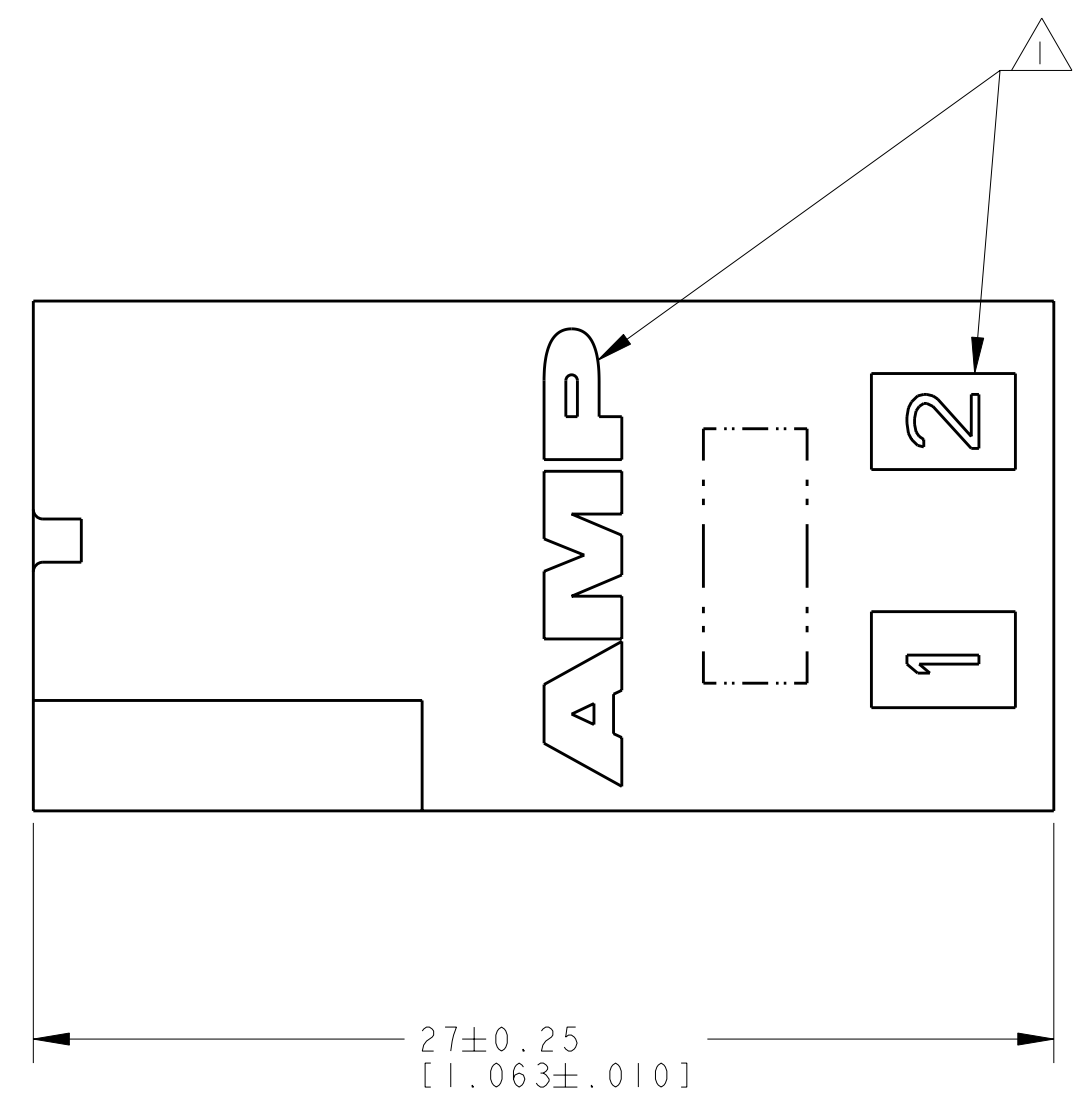
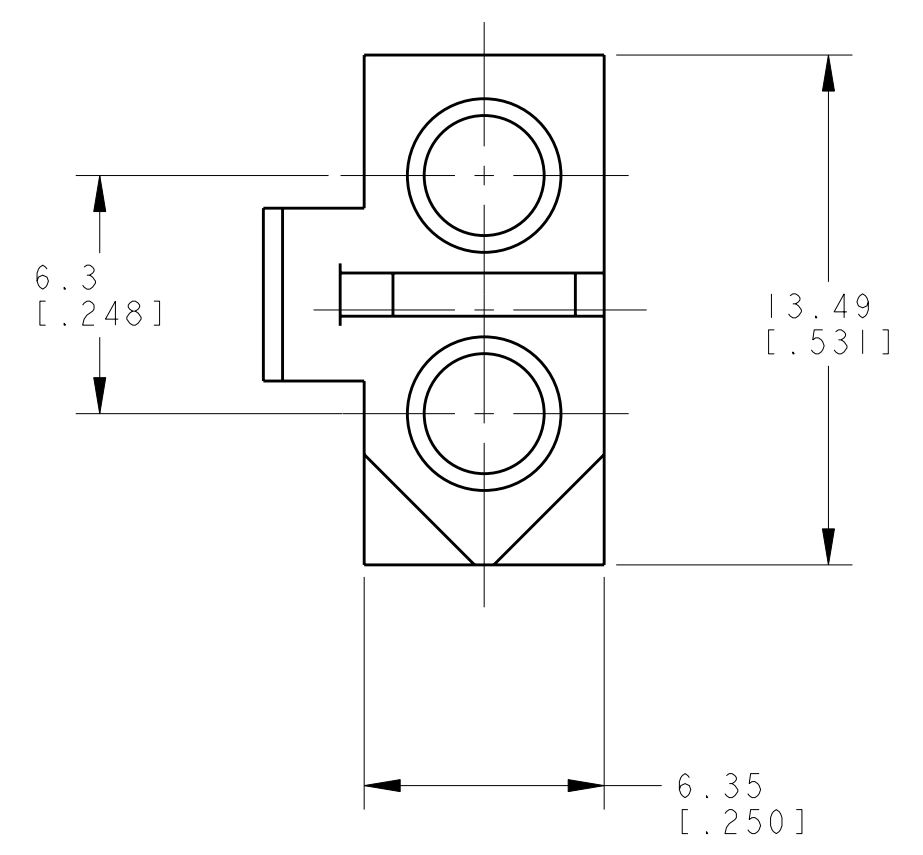
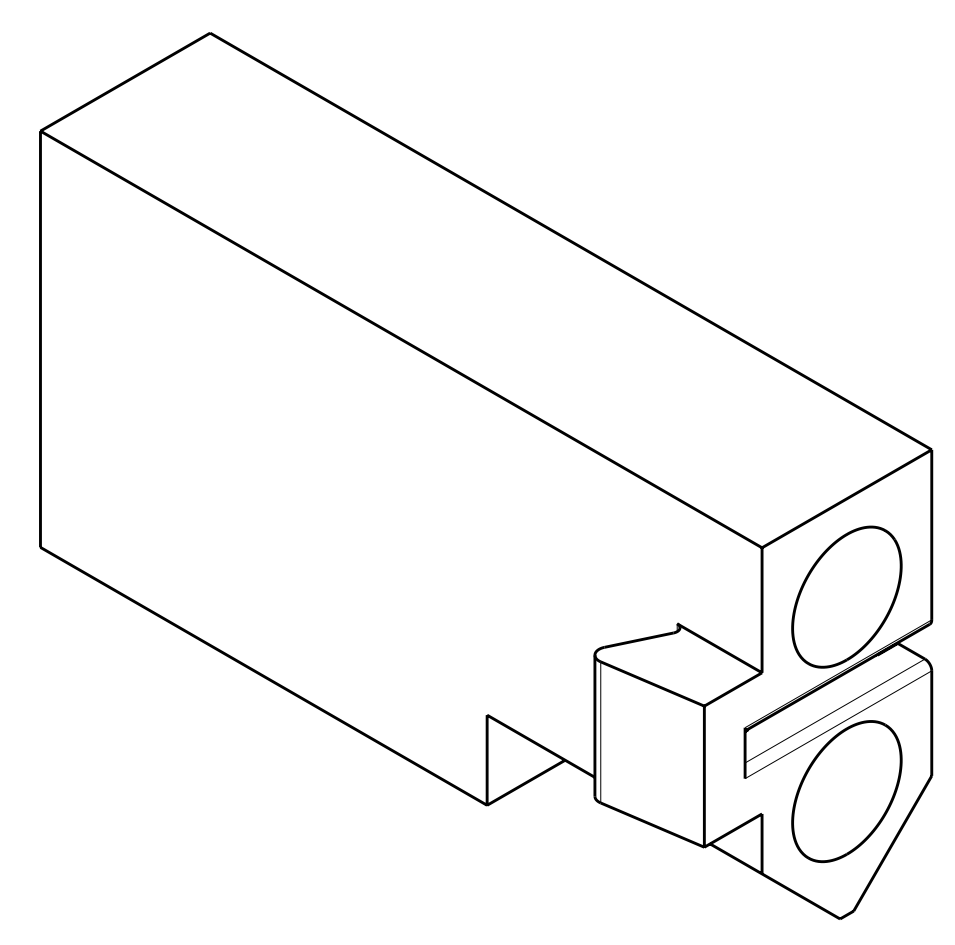


LOC	DIST	REVISIONS			
CM	00	REV	DATE	DWN	APVD
		D1	REVISED PER ECR-10-007128	14 JUN 2010	HMR KR

- ① AMP OR TYCO ELECTRONICS LOGO AND CIRCUIT NUMBERS LOCATED APPROXIMATELY AS SHOWN.
- ② NYLON, ULV-2, NATURAL.
- ③ NYLON, ULV-0, NATURAL.



OPTIONAL CONSTRUCTION



**METRIC**

③	770424-2
②	770424-1
MATERIAL	PART NUMBER

<small>THIS DRAWING IS UNPUBLISHED. RELEASED FOR PUBLICATION BY TYCO ELECTRONICS CORPORATION. ALL RIGHTS RESERVED.</small>		DWN: R. WHITAKER 09DEC2004 CHK: D. COLEY 09DEC2004 APVD: D. COLEY 09DEC2004	Tyco Electronics Harrisburg, PA 17105-3608
DIMENSIONS: mm [ INCHES ]	TOLERANCES UNLESS OTHERWISE SPECIFIED: 0 PLC ± 1 PLC ± 2 PLC ±0.13 (1.005) 3 PLC ± 4 PLC ± ANGLES ±40° 30'	NAME: RECEPTACLE, POSITIVE LOCK, 2 CIRCUIT, .093 PIN AND SOCKET PRODUCT SPEC: APPLICATION SPEC: WEIGHT:	SIZE: A   00779   C=770424 SCALE: 5:1 SHEET 1 OF 1 REV D1
MATERIAL: SEE TABLE	FINISH: -	CUSTOMER DRAWING	