

PROPRIETARY INFORMATION:

PROPRIETARY OF GLOBTEK, INC. ANY REPRODUCTION, DISCLOSURE OR USE OF THIS DRAWING, IN WHOLE OR IN PART, IS HEREBY PROHIBITED EXCEPT AS SPECIFIED IN WRITING BY GLOBTEK, INC.

REVISION HISTORY

REV	DESCRIPTION	SALES	RFS	DATE	APPROVED
A	Initial Release	SV	27312	4/9/2019	DR
B	Update IEC Code in Model No. From 3ICR25/58/75 to 3ICR19/65	SV	27315	4/15/2019	DR
C	Update PCM from Globtek Standard to S-8254AAN+AO4407A+TL494+LM358; Over charge detection voltage from 4.25±0.05 to 4.25±0.025 volts; over discharge detection from 2.50±0.1 to 2.50±.08 volts	SV	27375	6/19/2019	DR
C1	Format update	DR	27538	7/5/2020	DR

See Page 2 for important battery warranty and usage information.

Globtek makes no warranties. Express or implied, that the batteries are fit for any particular purpose or use. Further, that it is the buyer's obligation to determine if the batteries are suitable for the use to which they put the batteries. NOTICE: UL2054 stipulates that this battery shall be in a fire enclosure suitable to the end application. Lithium Ion batteries should also be protected from mechanical damage.


Foot Note:

Globtek Inc. will not be liable for the safety and performance of these power supplies if unauthorized access and repair occurs. End user should consult applicable UL, CSA or EN standards for proper installation instruction.

Limitation of Use:

Globtek product are not authorized for use as mission critical components in life support hazardous environment, nuclear or aircraft applications without prior written approval from the CEO of Globtek Inc.

Contents of this document are subject to change without prior notice

 GlobTek, Inc. www.globtek.com 186 Veterans Drive, Northvale, NJ 07467 Tel. 201-784-1000 Fax 201-784-0111	Drawing Title: Li-Ion Battery with Built-In Charger 11.1 Volts @ 2600mAh	
	Model No.: BL2600C1865003S1PGQG (3ICR19/65) Part No.: BL2600C1865003S1PGMG	Rev. C1

PROPRIETARY INFORMATION:

PROPRIETARY OF GLOBTEK, INC. ANY REPRODUCTION, DISCLOSURE OR USE OF THIS DRAWING, IN WHOLE OR IN PART, IS HEREBY PROHIBITED EXCEPT AS SPECIFIED IN WRITING BY GLOBTEK, INC.

By customer signing or accepting this document, they agree to acknowledge and accept the **Guidelines and cautions, Safety Notes, and Safety Precautions published on GlobTek's website** http://en.globtek.com/safety-cautions.php#.UUD-NRzU_I8

GlobTek offers a 5-year warranty on workmanship and electrical components assembly on all new battery pack products excluding the battery cells themselves which are covered by the Manufacturer's original warranty at their published warranty period. Please refer to the manufacturer's manufacturer's warranty policy for cells. For GlobTek brand cells, GlobTek provides a 12-month warranty for Li-Ion batteries. The warranty period is based upon the expectation that the battery will deliver 80% of its initial capacity after 300 cycles at low to moderate power loads. High power loads may cause a battery to reach 80% of initial capacity in less than the 12-month warranty period. Li-Ion batteries will continue to operate below the 80% capacity threshold; however, the capacity (run time) delivered between charges will continue to decrease.

The purchaser of GlobTek battery pack products (Customer) agrees that they are a "Sophisticated user" who understands battery technology and that it is their sole responsibility to determine suitability of the product described for their application and to take precautions for protection against any hazards attendant to the handling and use of the product. GlobTek products are only designed for professional use and integration by companies into their products and may not be used by consumers directly. GlobTek provides batteries and battery packs as a component of an end system.

The acceptance of GlobTek specifications, the information on this page and use of the product(s) described in this or other GlobTek documents indicate that the product was qualified for use (tested and/or sample waiver signed), and the acceptance and binding of the customer to GlobTek terms and conditions, which supersede all other agreements, terms and conditions

<http://en.globtek.com/terms-and-conditions/>

Lithium Ion batteries are inherently dangerous. Continuous usage or charging without allowing the battery to discharge is a hazard.

FIRE HAZARD: This like all Li-Ion battery packs must be regularly discharged and charged.

it is not recommended to be kept on permanent full charge and in a full state of charge

Customer Approval of Specification:

Please approve, sign and send back to GlobTek so we can complete order processing.

A delay in receipt of this form will delay delivery schedule.

Company Name:


Customer P/N:

Quote Number:

Date:

Authorized Representative Name:

Authorized Representative Signature:

 GlobTek, Inc.

www.globtek.com

186 Veterans Drive, Northvale, NJ 07467

Tel. 201-784-1000 Fax 201-784-0111

Drawing Title: Li-Ion Battery with Built-In Charger

11.1 Volts @ 2600mAh

Model No.: BL2600C1865003S1PGQG (3ICR19/65)

Part No: BL2600C1865003S1PGMG

Rev. C1

PROPRIETARY INFORMATION:

PROPRIETARY OF GLOBTEK, INC. ANY REPRODUCTION, DISCLOSURE OR USE OF THIS DRAWING, IN WHOLE OR IN PART, IS HEREBY PROHIBITED EXCEPT AS SPECIFIED IN WRITING BY GLOBTEK, INC.

1. GENERAL SPECIFICATION:

Battery with safety circuit, charger and fuel gauge:

CELL:	Samsung ICR18650-26
PCM:	S-8254AAN+AO4407A+TL494+LM358
NTC:	Included in PCM
ID:	N/A
Fuel Guage	N/A
Configuration:	3S1P

2. ELECTRICAL SPECIFICATION FOR PACK:

RATED CAPACITY:	2600mAh (Typical)
NOMINAL VOLTAGE:	11.1 Volts
WATT-HOUR RATING:	28.86Wh
CHARGING METHOD:	Constant Current (CC); Constant Voltage (CV) Float charger
MAXIMUM CHARGE VOLTAGE [V]:	12.0(±1%) (4volts/cell)
CHARGE CURRENT:	0.2C

MAXIMUM CONTINUOUS DISCHARGE CURRENT:	1C
RECOMMENDED DISCHARGE CUT OFF:	9.0V (In customer system); (3 volts/cell)
INTERNAL IMPEDANCE:	≤300mΩ
EXPECTED CYCLE LIFE:	>300 cycles > 80% of rated capacity (CC charge 0.2C to 12.6V/Discharge 0.5C to 9.0V)

CELL PROTECTION:

OVER CHARGE VOLTAGE DETECTION:	4.25 ±0.025 volts (500 to 1500msec. delay, resume 4.15 ±0.05V)
OVER DISCHARGE VOLTAGE DETECTION:	2.50 ±0.08 volts (50 - 150msec. delay, resume 3.0+/-1V)
OVER CURRENT DETECTION:	4A to 8A (5 to 15msec. delay); release condition Cut Load

3. CHARGER SPECIFICATIONS:

CHARGER INPUT:	16 - 20 VDC
INPUT OVERVOLTAGE PROTECTION:	20±0.5volts
CHARGE CONSTANT CURRENT:	550±100mA

4. AMBIENT CONDITIONS

TEMPERATURE RANGE:	
CHARGE:	0 to +45°C
DISCHARGE:	-10 to +50°C
CHARGE RETENTION/STORAGE [%]:	≤1 month -10 to +45°C >80% ≤3 months 0 to +30°C >80%

HUMIDITY:	60±25%RH
-----------	----------

5. ENVIRONMENTAL AND SAFETY

PLEASE FOLLOW GlobTek, Inc. HANDLING AND SAFETY PRECAUTIONS FOR Lilon & LiPolymer.

6. CELL REGULATORY APPROVALS: CELL APPROVED TO UL 1642

7. BATTERY PACK APPROVALS:

RoHS:	COMPLIES WITH EU 2002/95/EC AND CHINA SJ/T 11363-2006
CE Mark:	COMPLIES WITH 2004/108/EC ELECTROMAGNETIC COMPATIBILITY INCLUDING BUT NOT LIMITED TO EN61000-6-1:2007, EN61000-6-3:2007
TRANSPORTATION:	Pack approved to UN38.3
Safety:	Approved to IEC 62133, UL2054



GlobTek, Inc.

www.globtek.com

186 Veterans Drive, Northvale, NJ 07467

Tel. 201-784-1000 Fax 201-784-0111

Drawing Title: Li-Ion Battery with Built-In Charger

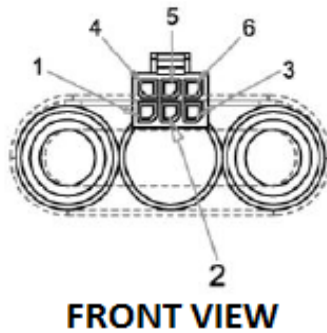
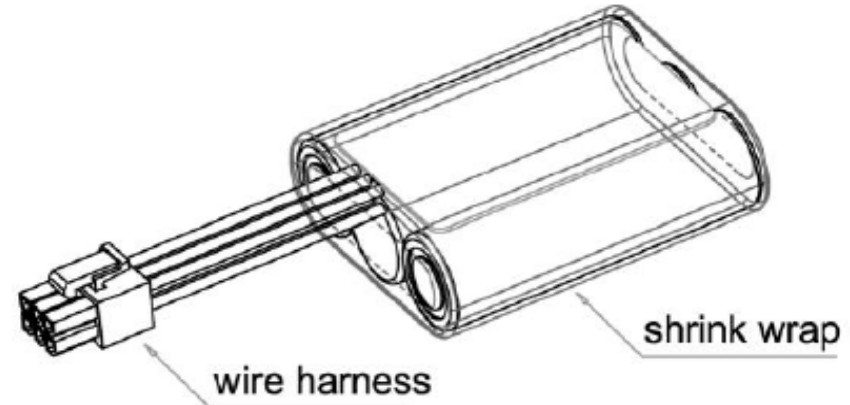
11.1 Volts @ 2600mAh

Model No.: BL2600C1865003S1PGQG (3ICR19/65)

Part No.: BL2600C1865003S1PGMG

8. MECHANICAL:

DIMENSIONS:	70.0(±5) x 55(±3) x 24(±1)mm
SHRINK WRAP:	PVC
WIRE TYPE:	UL1007 20AWG
WIRE LENGTH:	175mm ± 3.0 mm
WIRE POLARITY PIN 1:	Input voltage 16-20VDC (Blue)
WIRE POLARITY PIN 2:	Battery Output Voltage (Red)
WIRE POLARITY PIN 3:	DC Common (Black)
WIRE POLARITY PIN 4:	N/C
WIRE POLARITY PIN 5:	N/C
WIRE POLARITY PIN 6:	DC Common (Black)
CONNECTOR TYPE:	Molex Microfit 43025-0608
TERMINAL TYPE:	Molex 43030-0001
TIN LENGTH:	N/A
ADDITIONAL REQUIREMENTS:	N/A



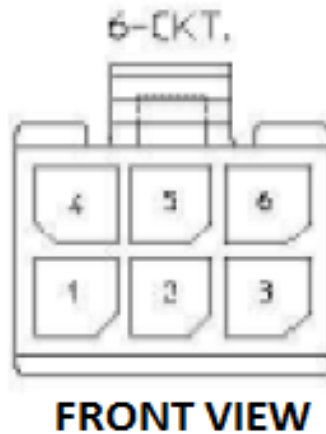
[ADDITIONAL OUTPUT PLUG OPTIONS ARE AVAILABLE BY CLICKING THIS LINK.](#)
[STANDARD PLUGS AND CONNECTORS CAN BE SEEN ONLINE BY CLICKING THIS LINK](#)

PROPRIETARY INFORMATION:

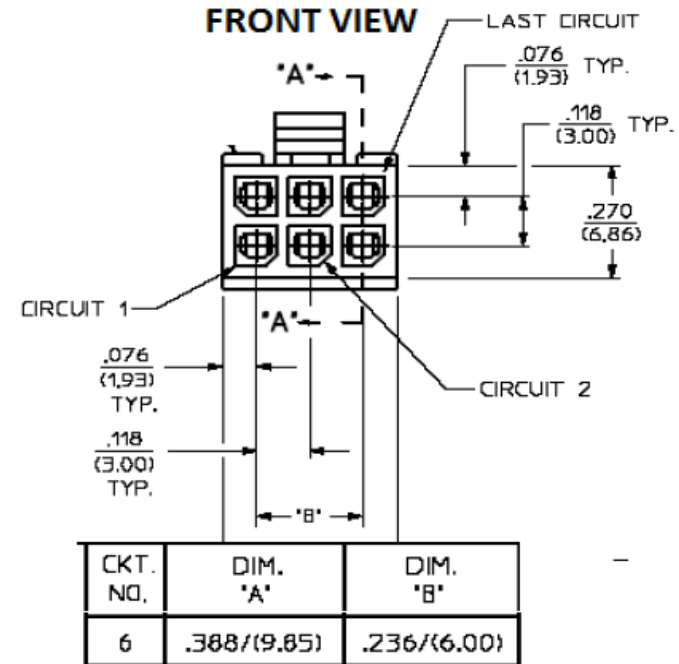
PROPRIETARY OF GLOBTEK, INC. ANY REPRODUCTION, DISCLOSURE OR USE OF THIS DRAWING, IN WHOLE OR IN PART, IS HEREBY PROHIBITED EXCEPT AS SPECIFIED IN WRITING BY GLOBTEK, INC.

9.CONNECTOR:

ACTUAL CONNECTOR'S, OVERMOLDS, MAY VARY SLIGHTLY FROM THE PICTURE BELOW



	EQUIVALENT	Y / N	
PLUG TYPE		Y	Molex Microfit 43025-0608
HOUSING TYPE			FEMALE
TERMINALS		Y	Molex 43030-0001
TERMINAL TYPE			FEMALE
OVER MOLD ORIENTATION			N/A
PLUG DIMENSIONS			N/A
BARREL PLUG INTERNAL SPRING CLIP			N/A
BARREL PLUG LOCKING NOTCH			N/A
POLARITY			N/A
ADDITIONAL REQUIREMENTS			N/A




PROPRIETARY INFORMATION:

PROPRIETARY OF GLOBTEK, INC. ANY REPRODUCTION, DISCLOSURE OR USE OF THIS DRAWING, IN WHOLE OR IN PART, IS HEREBY PROHIBITED EXCEPT AS SPECIFIED IN WRITING BY GLOBTEK, INC.



10.LABEL:

MATERIAL:	TBD
BACKGROUND COLOR:	WHITE
TEXT COLOR:	BLACK
LABEL WIDTH: (mm)	50±5mm
LABEL HEIGHT: (mm)	30±5mm
ADDITIONAL REQUIREMENTS:	N/A
ADDITIONAL REQUIREMENTS:	N/A

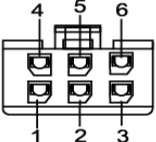


GlobTek, Inc.®
www.globtek.com


**Lithium-Ion Battery Pack with Built-in
Protection Circuit and Charger**

PART NO: BL2600C1865003S1PGMG
MODEL NO: BL2600C1865003S1PGQG
V_{BAT}: 11.1V
CAPACITY: 2600mAh
WATT-HOUR: 28.86Wh
IEC designation: 3ICR19/65




Pin 1: VCHG (INPUT)
 Pin 2: VBAT
 Pin 3,6: DC Common
 Pin 4,5: N/C



RoHS


IS 13252 (Part 1)/
IEC 60950-1



R-41017175

CAUTION:

- May explode if disposed of in fire
- Use specified charger only
- Do not short circuit



GlobTek makes no warranties, express or implied, that the batteries are fit for any particular purpose or use. Further, that it is the buyer's obligation to determine if the batteries are suitable for the use to which they put the batteries.

Not for use in products manufactured by Kronos, Inc.

MADE IN CHINA

201914

PROPRIETARY INFORMATION:

PROPRIETARY OF GLOBTEK, INC. ANY REPRODUCTION, DISCLOSURE OR USE OF THIS DRAWING, IN WHOLE OR IN PART, IS HEREBY PROHIBITED EXCEPT AS SPECIFIED IN WRITING BY GLOBTEK, INC.

11. PACKAGING:

PE BAG SIZE	TBD
CARTON SIZE:	TBD
QUANTITY PER CARTON:	TBD
G.W.	TBD

