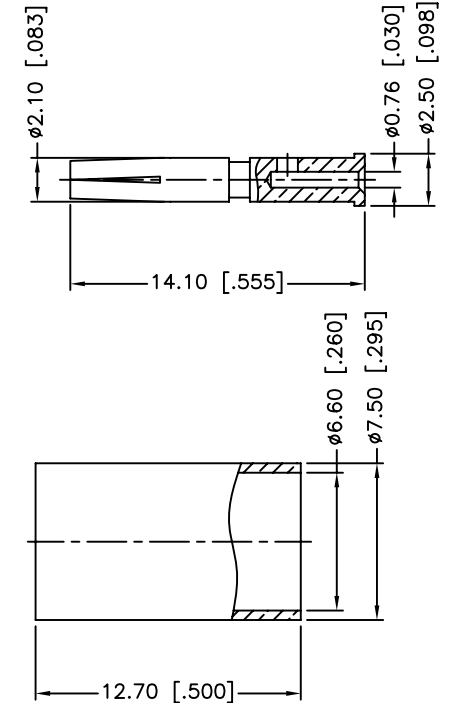
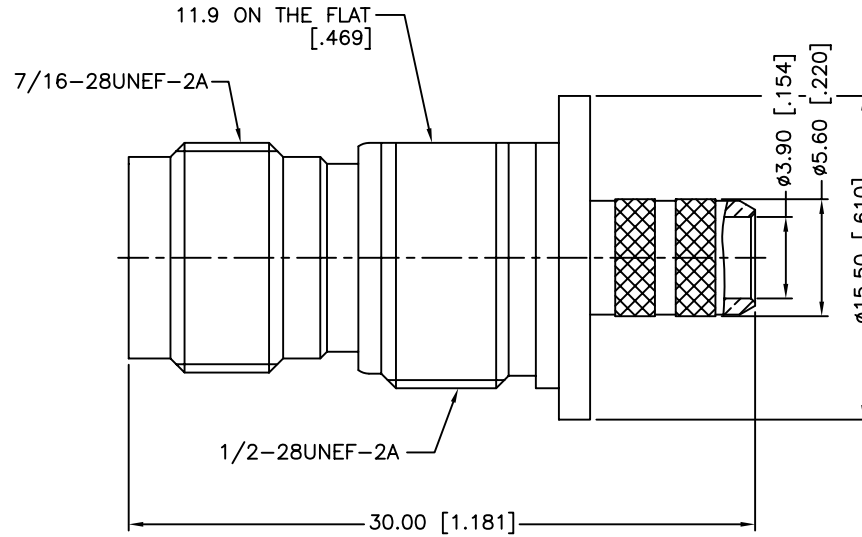
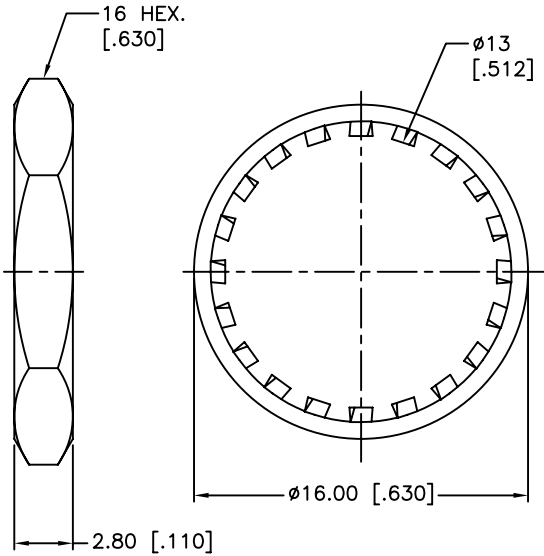
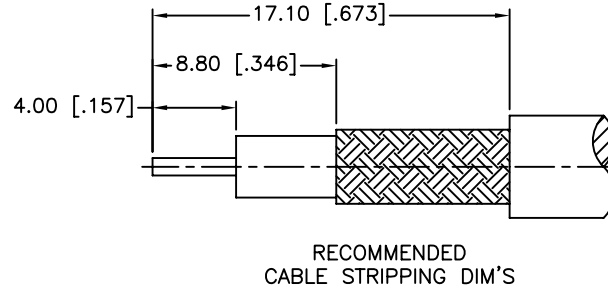
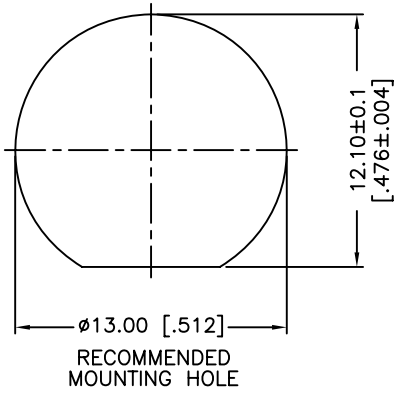


REV.	DATE	ECR NO.	DESCRIPTION
NC	06/12/06	XXXXXX	INITIAL RELEASE
A	05/07/13	XXXXXX	UPDATE FORMAT



1. IMPEDANCE: 75 OHM
2. FREQUENCY RANGE: DC-1 GHZ
3. DIELECTRIC WITHSTANDING VOLTAGE: 1500 VRMS, MIN.
4. DURABILITY: 500 CYCLES MIN.
5. TEMPERATURE RANGE: -40°C TO +85°C
6. CRIMPED FERRULE
HEX. CRIMP SIZE .255"
7. CRIMPED CONTACT PIN
HEX. CRIMP SIZE .068"
8. MAX. PANEL THICKNESS=4 MM

DESCRIPTION	MATERIAL	FINISH	QTY
9 FERRULE	BRASS	NICKEL	1
8 CONTACT PIN	PHOSPHOR BRONZE	GOLD	1
7 HEX NUT	BRASS	NICKEL	1
6 LOCK WASHER	BRASS	NICKEL	1
5 BARREL	BRASS	NICKEL	1
4 INSULATOR	DELIRIN	NATURAL	1
3 INSULATOR	PTFE	NATURAL	1
2 BODY	BRASS	NICKEL	1
1 HOUSING	BRASS	NICKEL	1

UNLESS OTHERWISE SPECIFIED DIMENSIONS ARE IN MILLIMETERS. DIMENSIONS IN [] ARE IN INCHES AND FOR CUSTOMER REFERENCE ONLY.
 UNLESS OTHERWISE SPECIFIED
 TOLERANCES FOR MILLIMETERS ARE:
 <0.5 ± 0.05mm
 0.5 - 6mm ± 0.10mm
 6 - 30mm ± 0.20mm
 30 - 120mm ± 0.30mm
 ANGLES ± 1°
 UNLESS OTHERWISE SPECIFIED
 TOLERANCES FOR INCHES ARE:
 <.020 ± 0.002"
 .020 - .236 ± 0.004"
 .236 - 1.180 ± 0.007"
 1.180 - 4.724 ± 0.012"
 ANGLES ± 1°
 DO NOT SCALE DRAWING

APPROVALS	DATE
DRAWN M.ZHANG	05/07/13
CHECKED	
ISSUED	
SHEET 1 OF 1	
CAD FILE	C:/CONNEX/122205.DWG

<h1>Amphenol Connex</h1>			
PART DESCRIPTION TNC BULKHEAD CRIMP JACK ISOLATED GROUND (FOR RG-59/U CABLE)			
PART NO. 122205			
DWG. NO.	122205.DWG	REV.	A
SIZE	A	SCALE	NA