



Since 1959

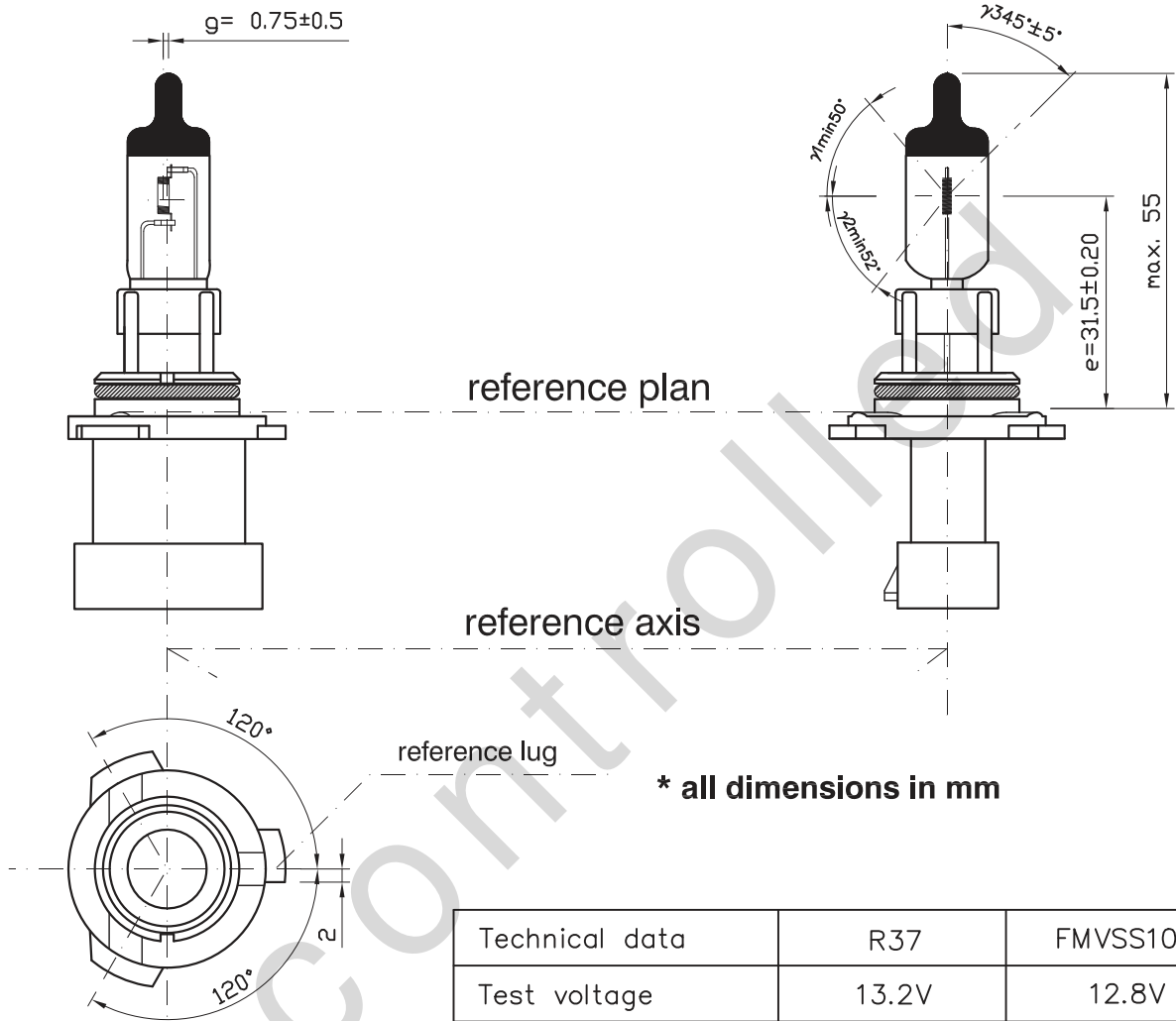
Product Information Sheet

HB4A (9006XS) 12V 51W

9006XS

2022. 08. 23 NEW

2018. 04. 09 OLD



* all dimensions in mm

Halogen bulb

HB4A 12V 55W

Cap: ¹⁾ P22d

Type: 9006XS

ECE R37 (E1) 2A18

FMVSS108 DOT

Bulb mat.: Hardglass

Technical data	R37	FMVSS108
Test voltage	13.2V	12.8V
Power	62W max.	60W max.
Luminous flux	1095lm $\pm 15\%$	1000lm $\pm 15\%$
Lumen maintenance	85 % min (after 1650hr)	85 % min (after 750hr)

Rated life:	^{4) 5)} at 13.2V	^{2) 3)} at 14.0V
	Tc: 2200 hr B50: 1950 hr B3: 1000 hr	B70: 1100 hr B50: 1000 hr B10: 650 hr

Maximum operating temperature: 1: bulb 650°C max
2: pinch 400°C max

Vibration resistance acc. to IEC 60810 Annex B; table B.2 > 20h

- 1) According to IEC 60061-1 sheet 7004-32-2
- 2) According to SAE J 1383 Annex 5.20
- 3) Switching cycle according to SAE J 1383 5.20.2
- 4) According to IEC 60810 Annex A
- 5) Switching cycle according to IEC 60810 Annex A;4.1.1
- 6) Switching cycle according to IEC 60810 Annex A;4.1.2
- 7) Switching cycle according to IEC 60810 Annex A;4.2