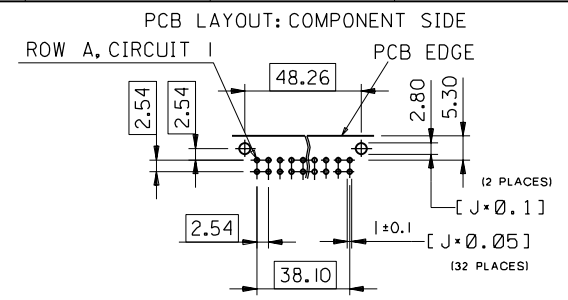
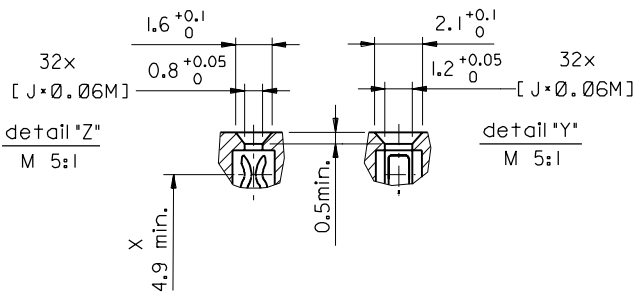
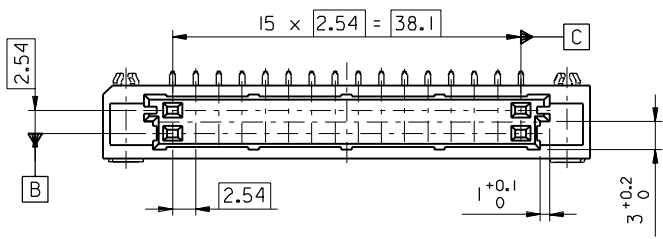
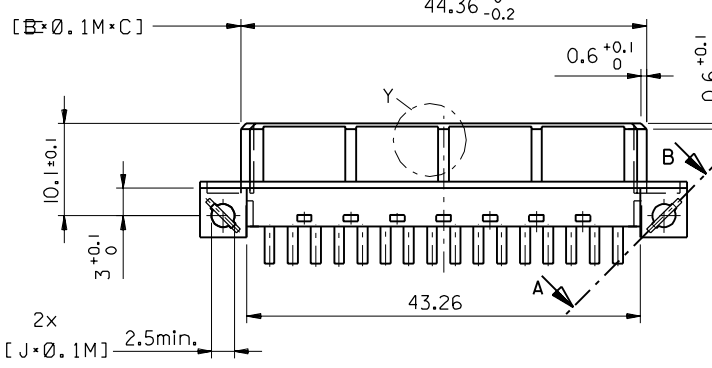
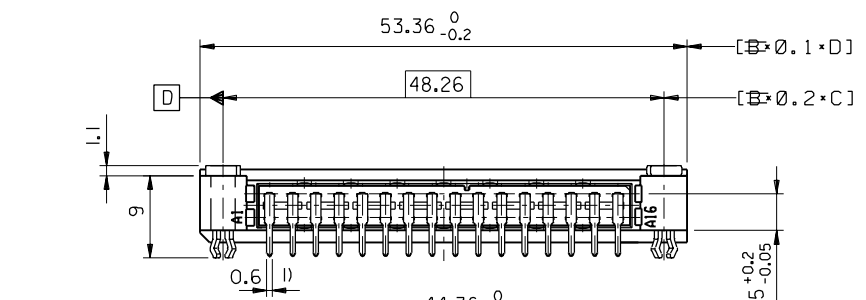
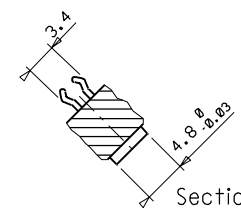
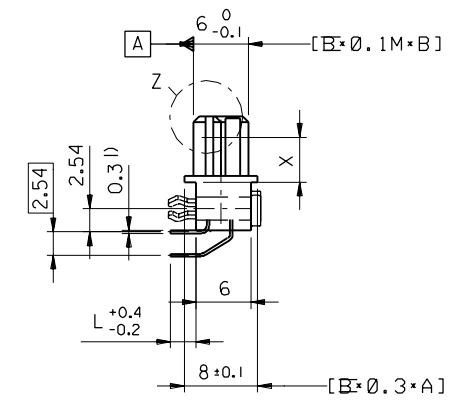




PART NO.  
DWG. NO.



1) tails to fit in PC-board layout



Section A - B

FIRST ANGLE PROJECTION		DRWG BY KN	SIGN
UNLESS OTHERWISE SPECIFIED TOLERANCES: ANGULAR ±2°		CHK'D BY Ca	SIGN
INCH		APP'D BY JB	SIGN
METRIC		SCALE	2:1
3 PLACE ±	±		
2 PLACE ±	±		
1 PLACE ±	±		
DRAFT WHERE APPLICABLE MUST REMAIN WITHIN DIMENSIONS			
DESIGN DIMENSION	<input checked="" type="checkbox"/> MM		
	<input type="checkbox"/> IN.		
EQUIVALENT DIMENSION	<input type="checkbox"/> MM		
	<input type="checkbox"/> IN.		
IF TWO DIMENSIONS ARE SHOWN THE UPPER IS THE DESIGN DIMENSION, LOWER IS SECONDARY			

REVISE ONLY ON CAD SYSTEM		SH.	REV.
CAD/CAM PROJECT NAME 85050000 821		THIS DRAWING CONTAINS INFORMATION THAT IS PROPRIETARY TO MOLEX INC. & SHOULD NOT BE USED WITHOUT WRITTEN PERMISSION	
TITLE 32 pos. female connector DIN 41612 style Q/2+ clip Dimensions			
MOLEX MOLEX EUROPE		SHEET NO. 1 OF 1	DATE 96/04/25
PART NO. SDA-85050-0002		DWG NO.	SIZE B

ECN MG1898-2586	REVISIONS
L +0.4 -0.2, Lockbild 97-09-17 KN	
BI	LTR