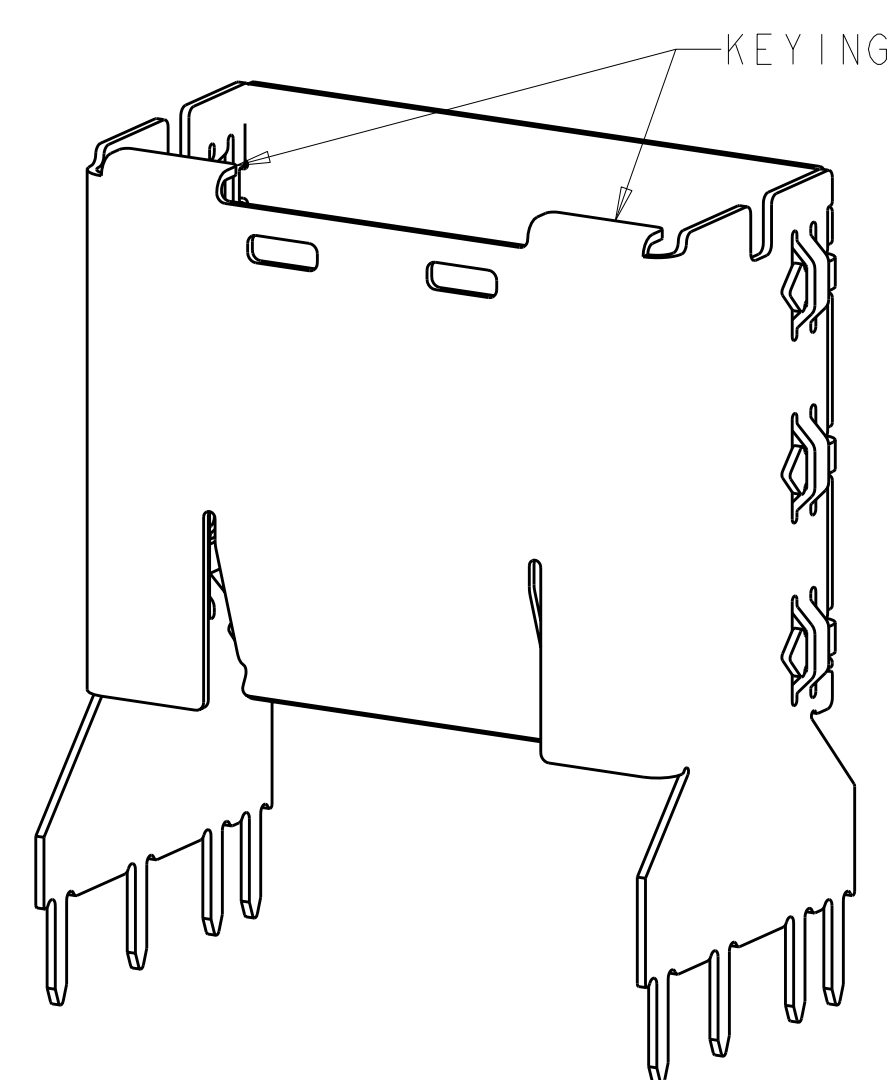
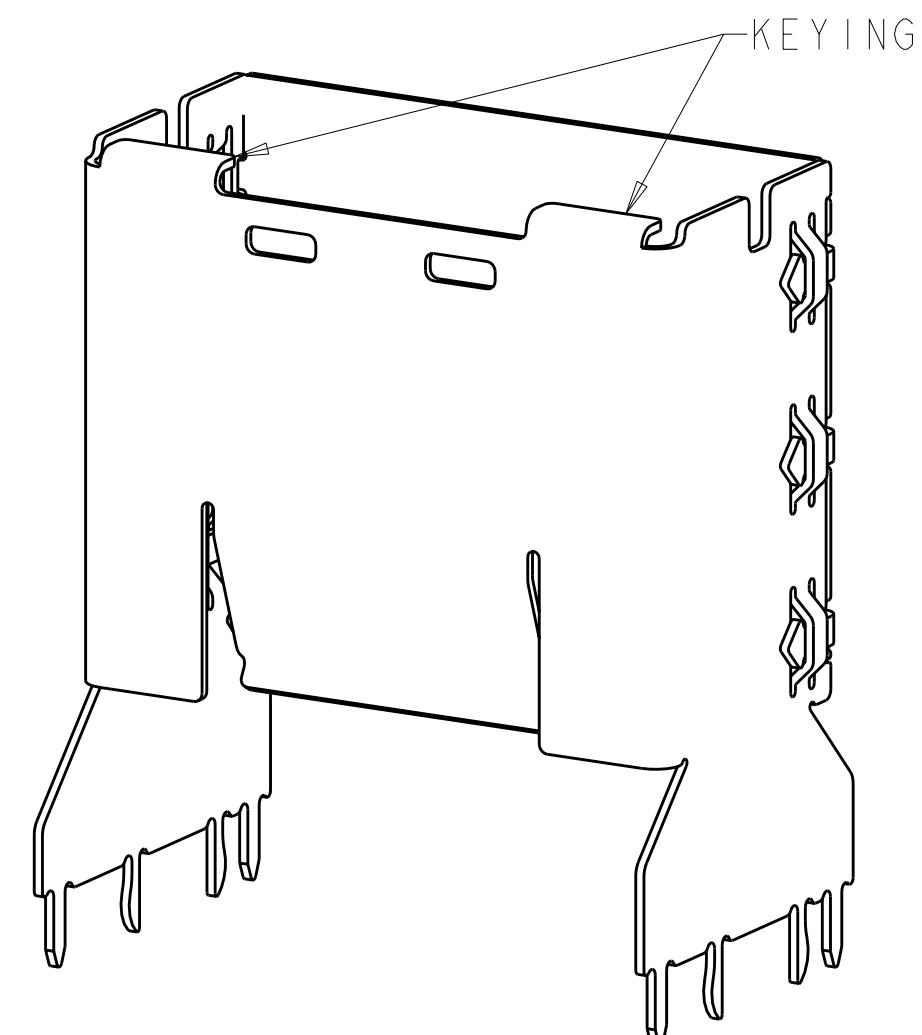
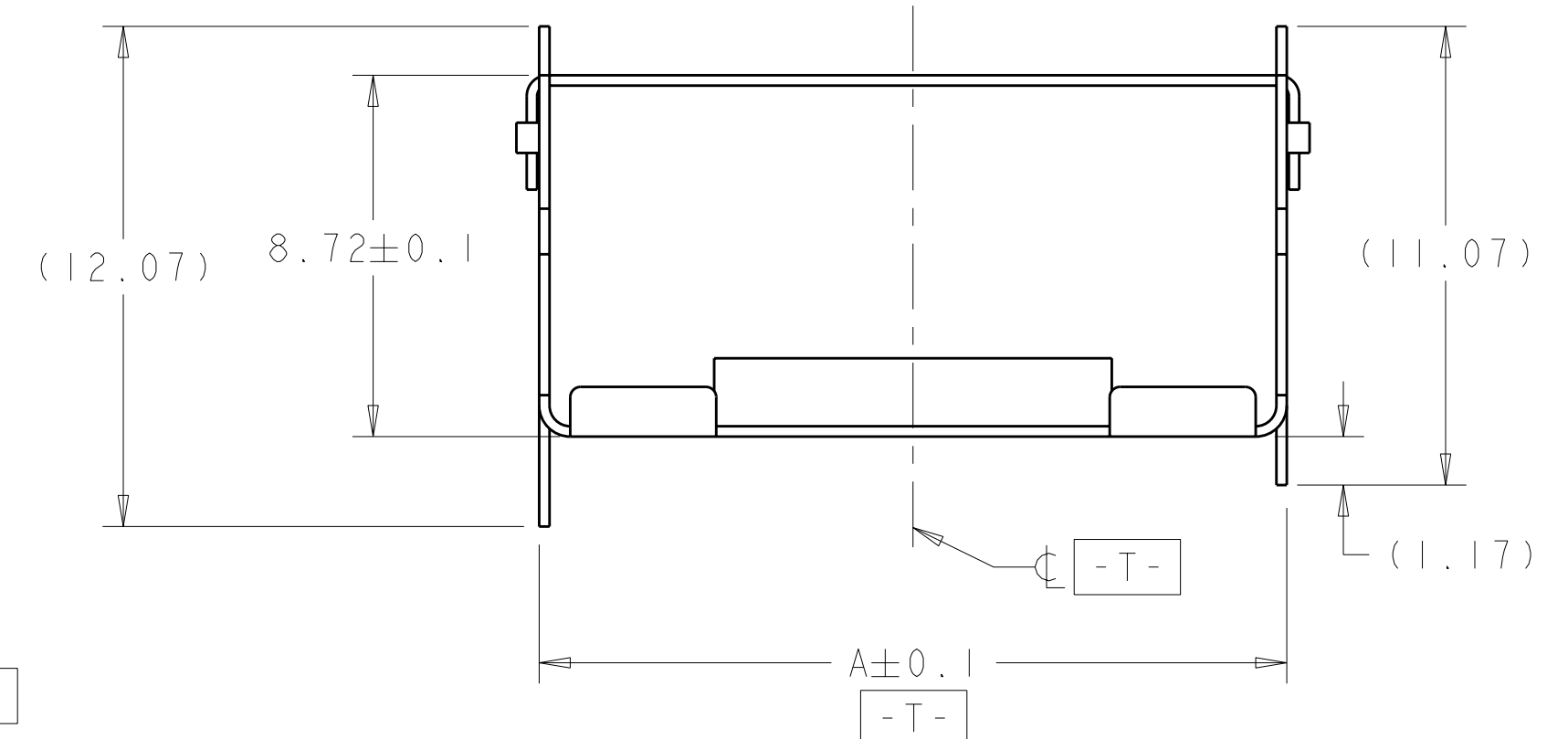


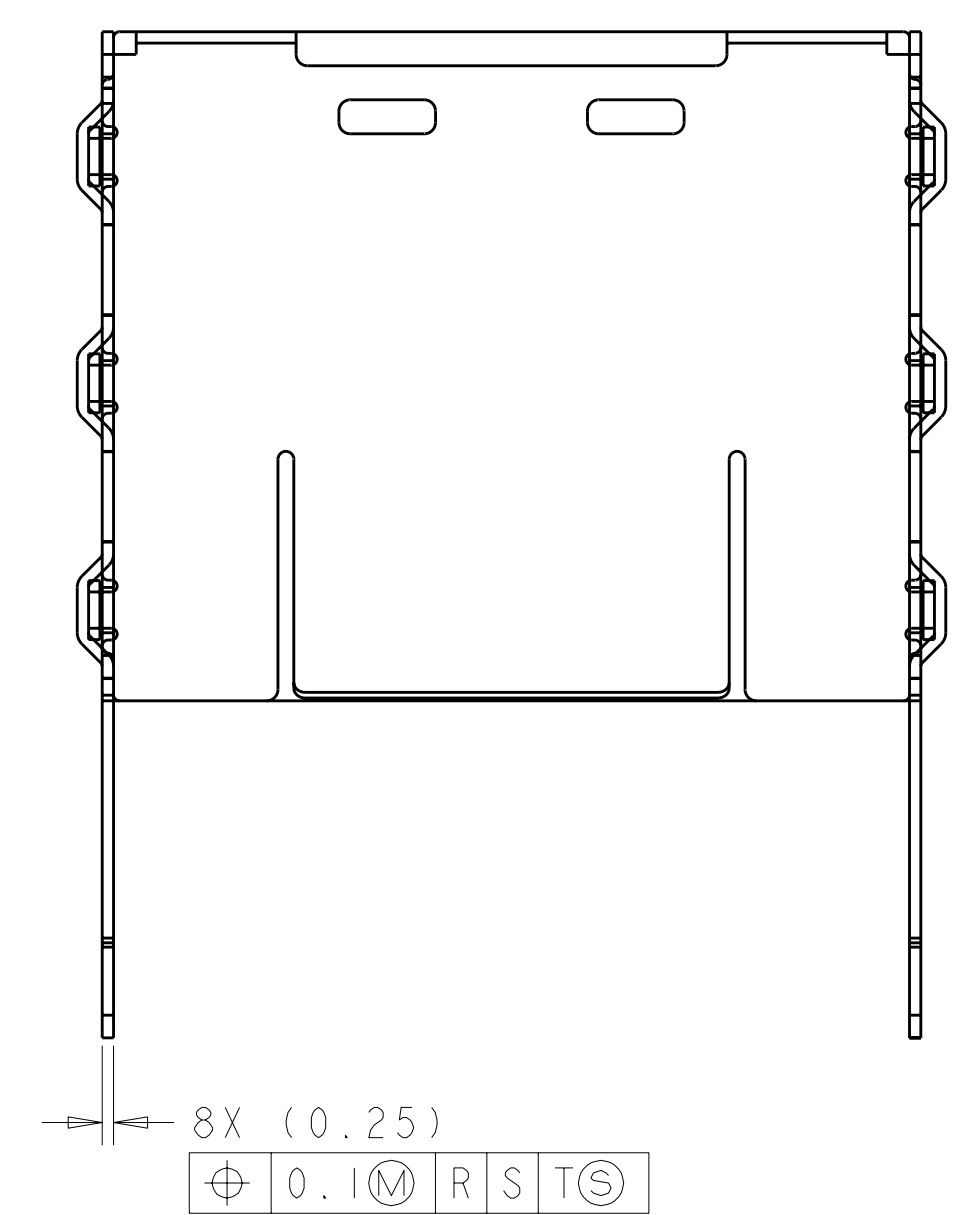
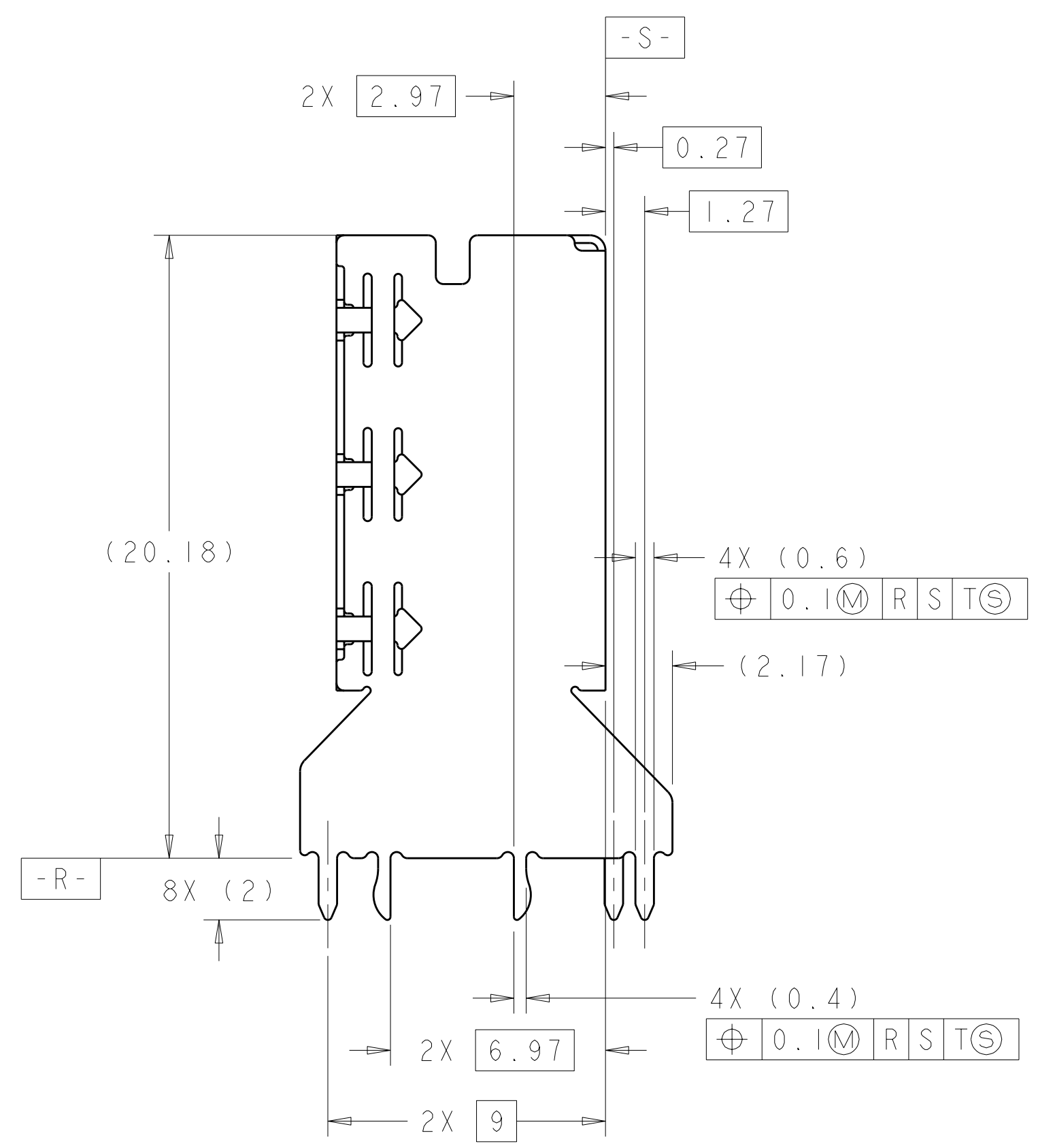
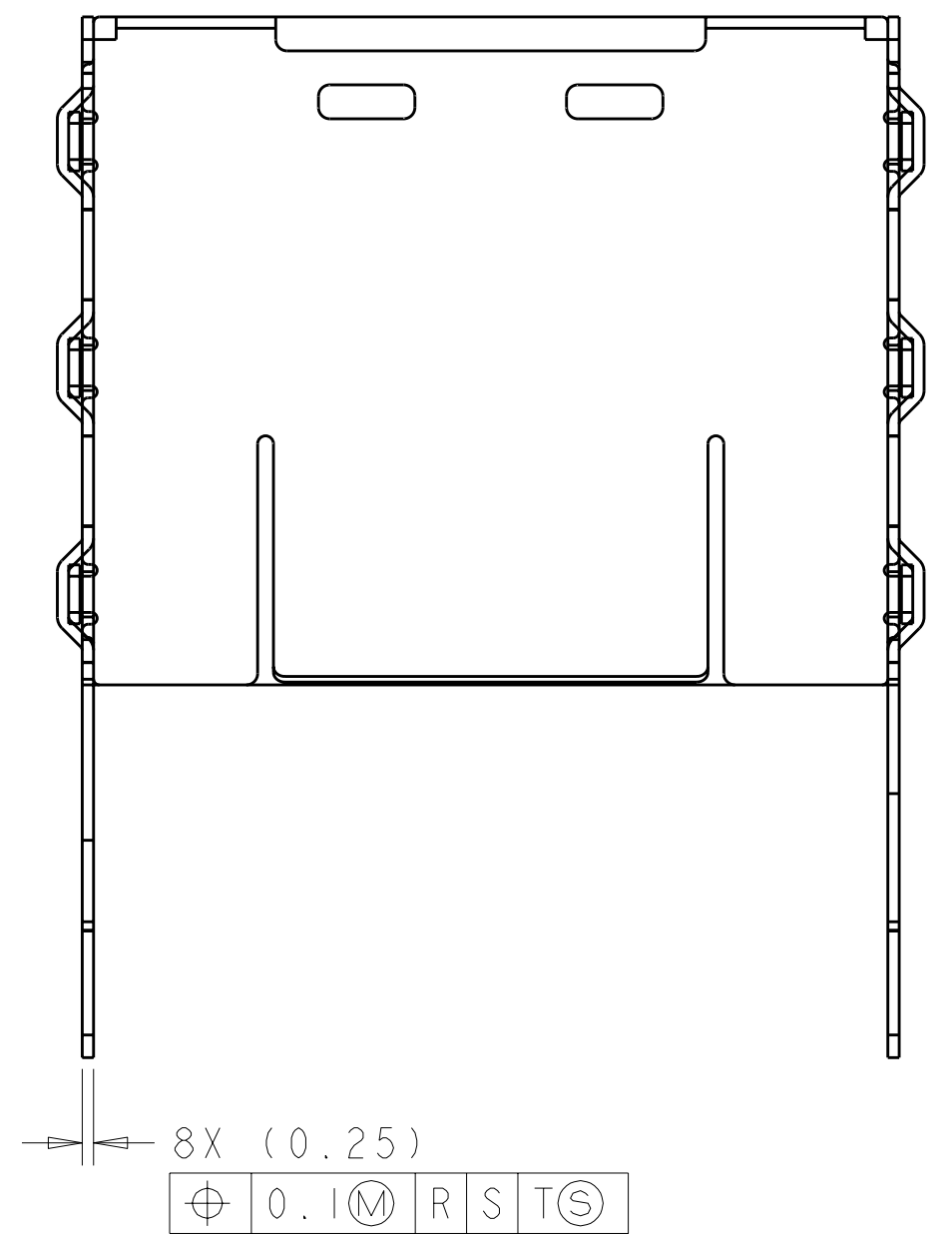
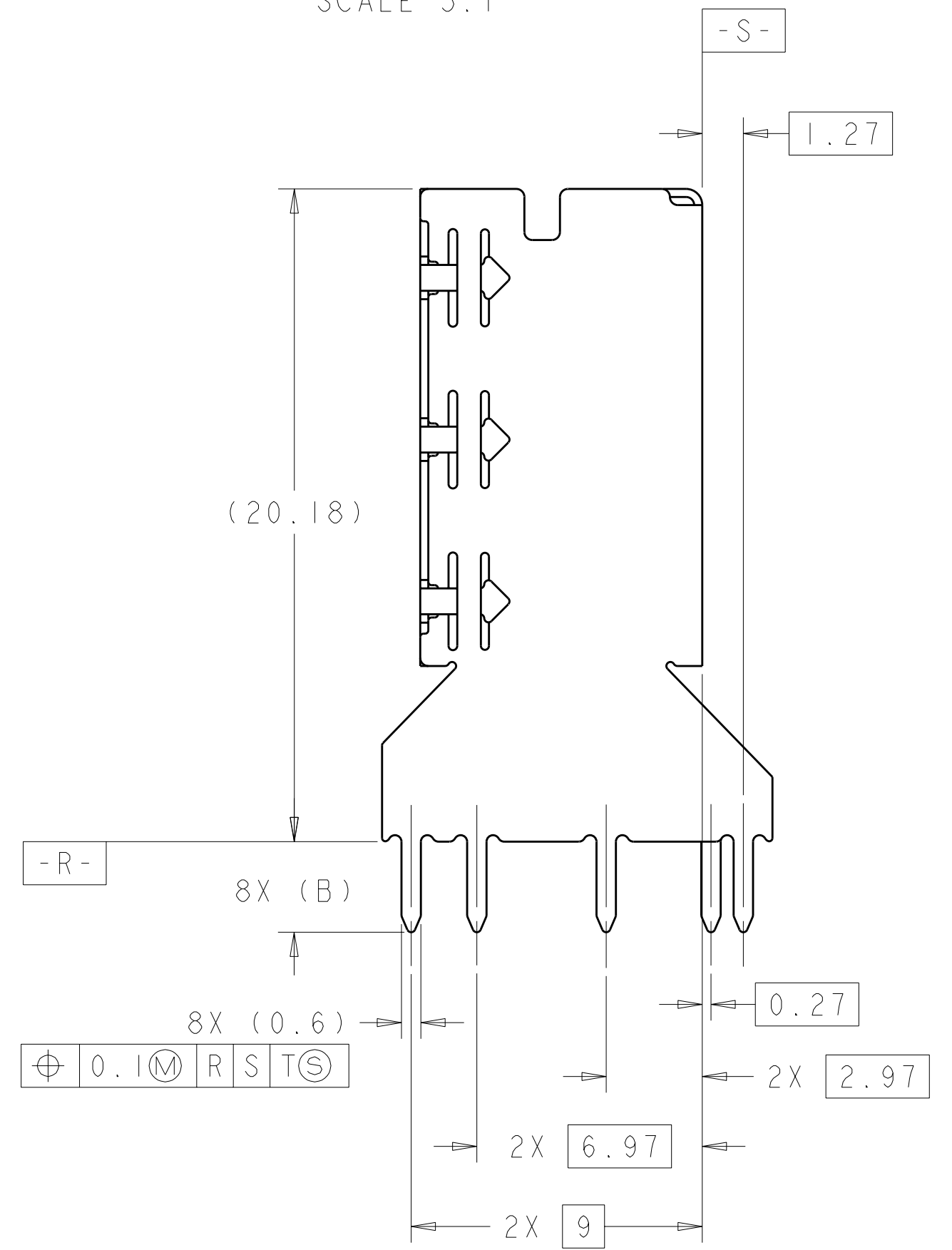
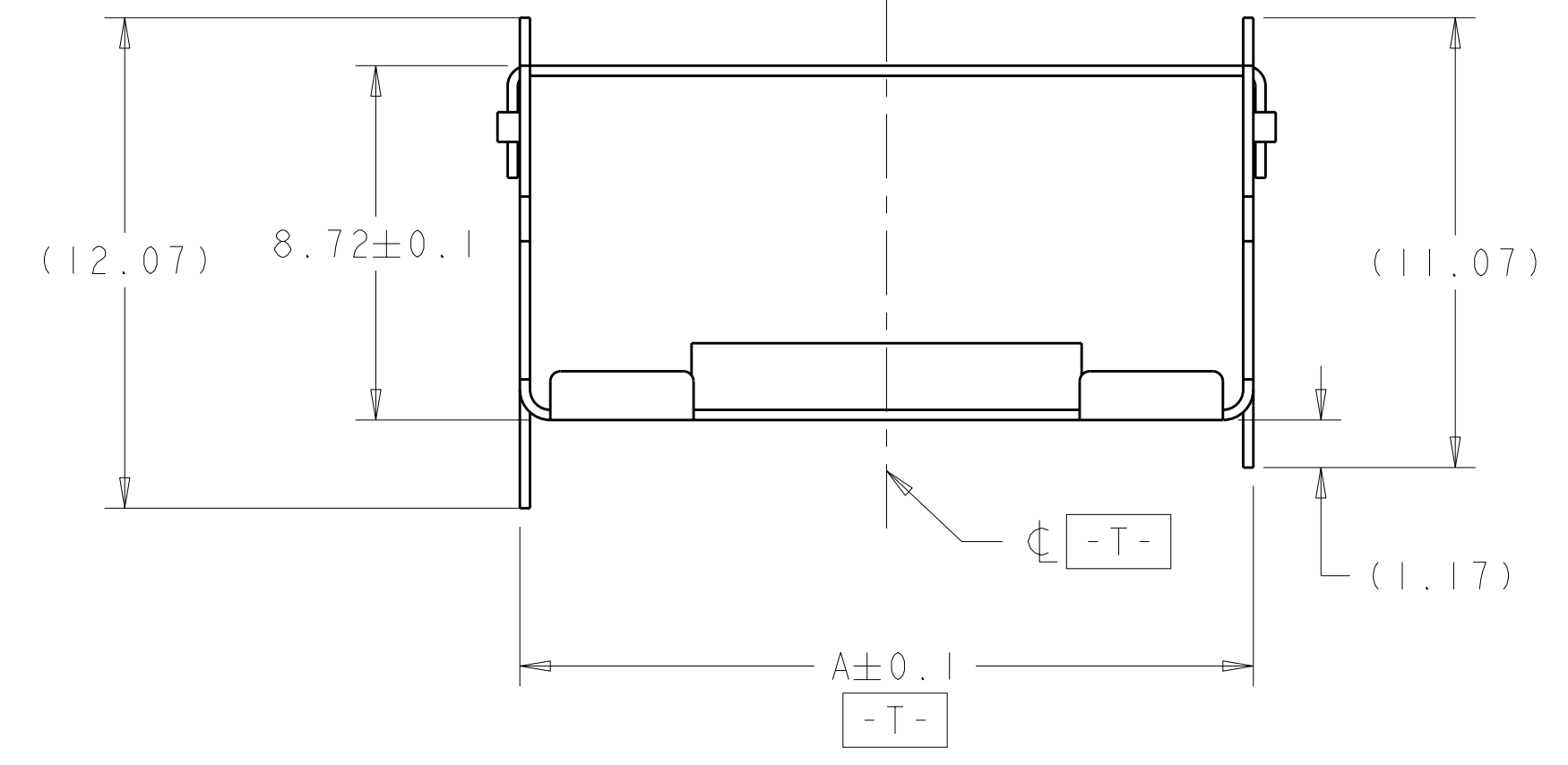
LOC	DIST	REV	DATE	BY	APPD
GP	00	A	14MAY2008	ZMR	DLG



1888413-6
SCALE 5:1



1888413-4
SCALE 5:1



1888413-6 AND 1888416-8
AS SHOWN

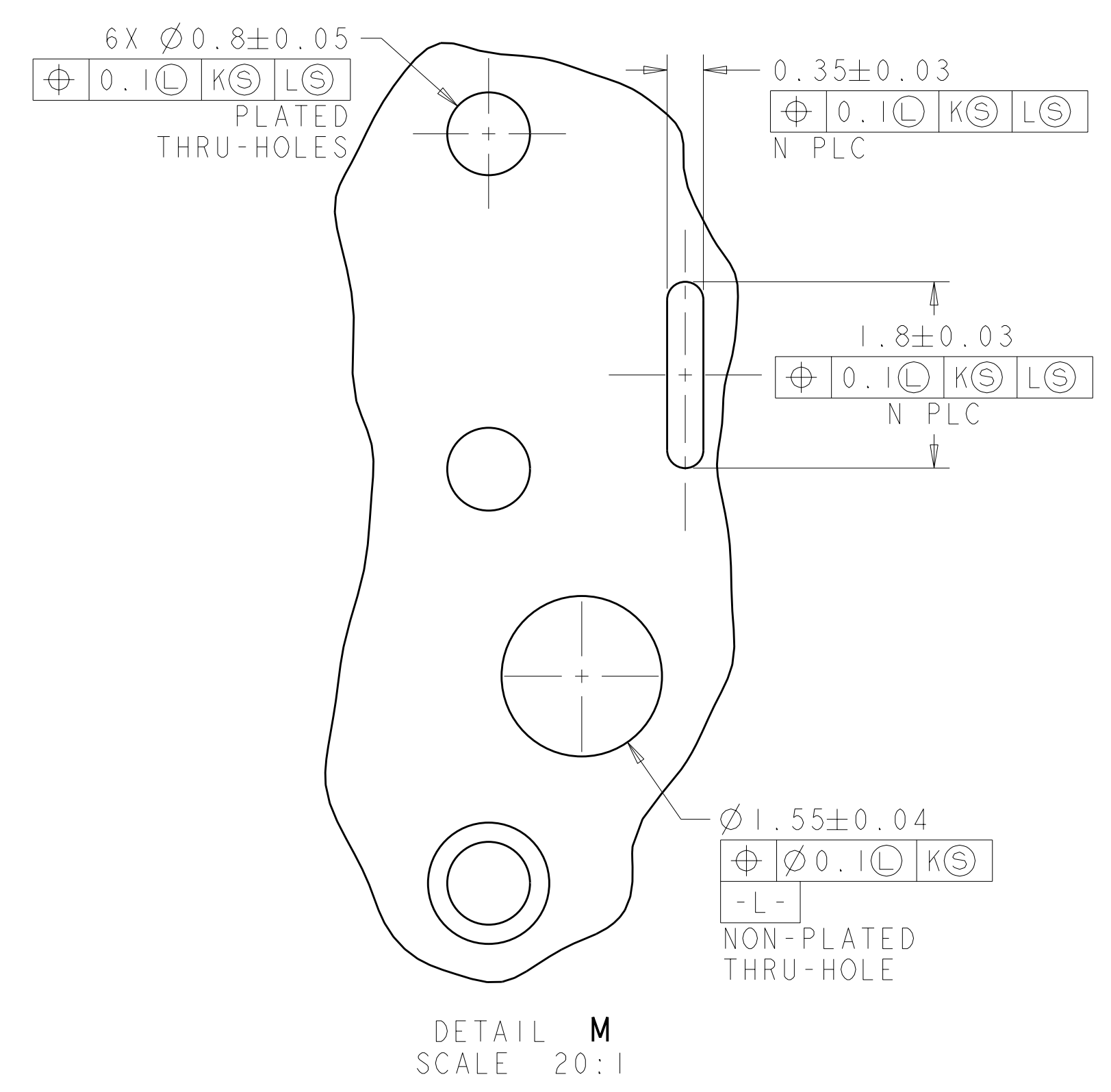
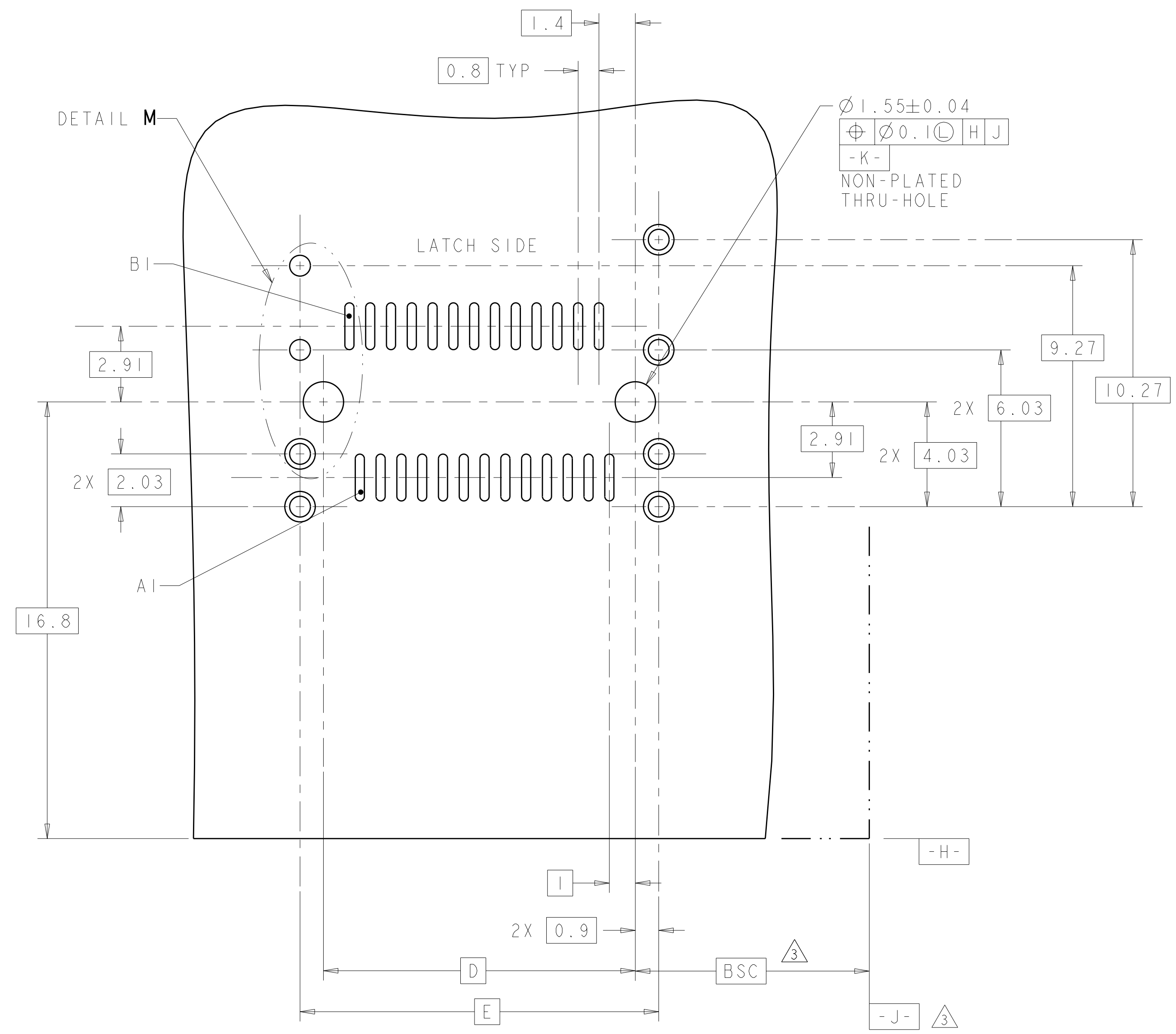
1888413-4
AS SHOWN

- 1 MATERIAL: NICKEL-SILVER PER ASTM B 122.
- 2. SHIELD ASSY TO BE USED WITH THE SURFACE MOUNT RECEPTACLE CONNECTOR PART NUMBER REFERENCED IN TABLE.
- 3 DATUM AND BASIC DIMENSION ESTABLISHED BY CUSTOMER.

1888020-2	36	-	17.8	16	3.5	18.05	36	1888413-8
1888020-2	36	-	17.8	16	2.8	18.05	36	1888413-6
1888020-2	36	-	17.8	16	-	18.05	36	1888413-4
CONNECTOR PART NUMBER	N	F	E	D	B	A	POSN	PART NUMBER

DIMENSIONS: mm 		TOLERANCES UNLESS OTHERWISE SPECIFIED: 9 PLC ± 1 PLC ±0.1 5 PLC ± 4 PLC ± ANGLES ± FINISH -		DWN M.E. COWHER 07MAR2006 CHK R.R. HENRY 07MAR2006 APVD R.R. HENRY 07MAR2006 NAME EVERCLEAR Mini-SAS VERTICAL, INTERNAL SHELL ASSEMBLY, DUAL KEYING PRODUCT SPEC 108-2234 APPLICATION SPEC SIZE CAGE CODE DRAWING NO. RESTRICTED TO WEIGHT - CUSTOMER DRAWING SCALE 6:1 SHEET 1 OF 2 REV A	
MATERIAL 		FINISH -		Tyco Electronics Harrisburg, PA 17105-3608 A100779C=1888413	

LOC	DIST	REV	DATE	BY	APPD
GP	00				
DESCRIPTION			DATE	DWN	APPD
SEE SHEET 1					



RECOMMENDED PCB LAYOUT
 FOR 1888413-4 AND 1888413-8
 SCALE 8:1

<small>THIS DRAWING IS UNPUBLISHED. RELEASED FOR PUBLICATION BY TYCO ELECTRONICS CORPORATION. ALL RIGHTS RESERVED.</small> <small>THIS IS SUBJECT TO CHANGE WITHOUT NOTICE AND WITHOUT OBLIGATION. TYCO ELECTRONICS CORPORATION SHALL BE CONTACTED FOR THE LATEST REVISION.</small>		DWN: M.E. COWHER 07MAR2006 CHK: R.R. HENRY 07MAR2006 APPD: R.R. HENRY 07MAR2006	Tyco Electronics Harrisburg, PA 17105-3608
DIMENSIONS: mm TOLERANCES UNLESS OTHERWISE SPECIFIED: 9 PLC ± 1 PLC ±0.1 5 PLC ± 4 PLC ± ANGLES ±		NAME: EVERCLEAR Mini-SAS VERTICAL, INTERNAL SHELL ASSEMBLY PRODUCT SPEC: 108-2234 APPLICATION SPEC:	SIZE: A CAGE CODE: 100779 DRAWING NO: C=1888413 RESTRICTED TO:
MATERIAL: FINISH:		WEIGHT: CUSTOMER DRAWING	SCALE: 6:1 SHEET 2 OF 2 REV A