

PART NAME: KNOB      SCALE: 1:1      DATE: 5/14/73      DR. BY NH

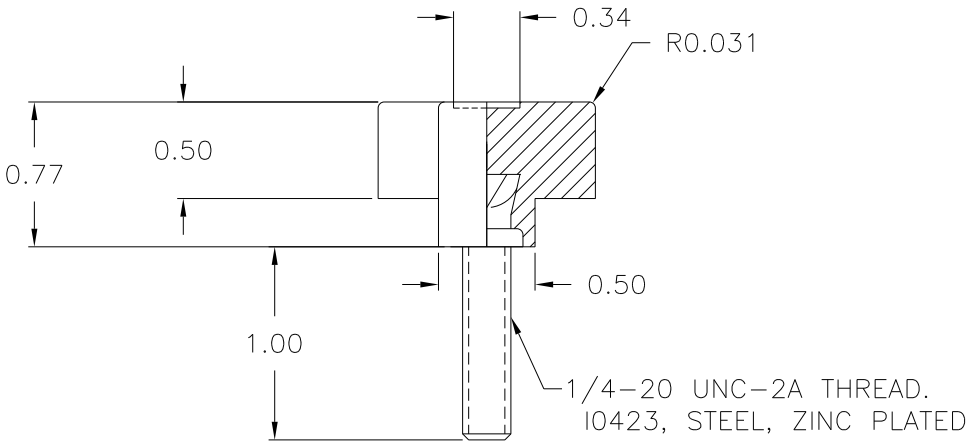
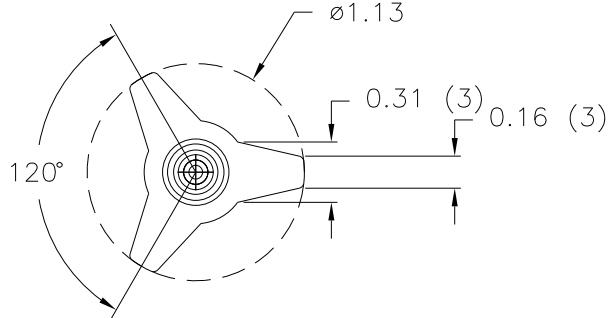
THIS DRAWING IS THE PROPERTY OF DAVIES MOLDING COMPANY, IS SUBMITTED SOLELY AS A DESIGN OR ENGINEERING PROJECT. WE ACCEPT NO RESPONSIBILITY WHATSOEVER FOR THE PRACTICAL APPLICATION OF THE PIECES MADE TO THIS DESIGN.



DESIGNERS & MANUFACTURERS OF KNOBS, HANDLES, CASES & CUSTOM PLASTIC COMPONENTS

P/N 3025BM	
M NO. 3025	
CAVITY	3025
PLUNGER	3025
PLUNGER PIN	3025-A
PINS	3025-1
SHIMS	1/4+1/8
INSERT	I0423

Ⓐ



MATERIAL: G.P. PHENOLIC (B11)  
 COLOR: BLACK

TOLERANCES: UNLESS OTHERWISE SPECIFIED	DO NOT SCALE DRAWING			
DECIMALS: X.XXX ± .005 X.XX ± .015	MM: X.XX ± 0.15MM X.X ± 0.4MM	-	CAD/REDRAWN	HD 9/10/97
FRACTIONS ± 1/64	ANG. ± 1°	A	WAS 3003-8 PIN	HD 2/23/84
CHANGES				