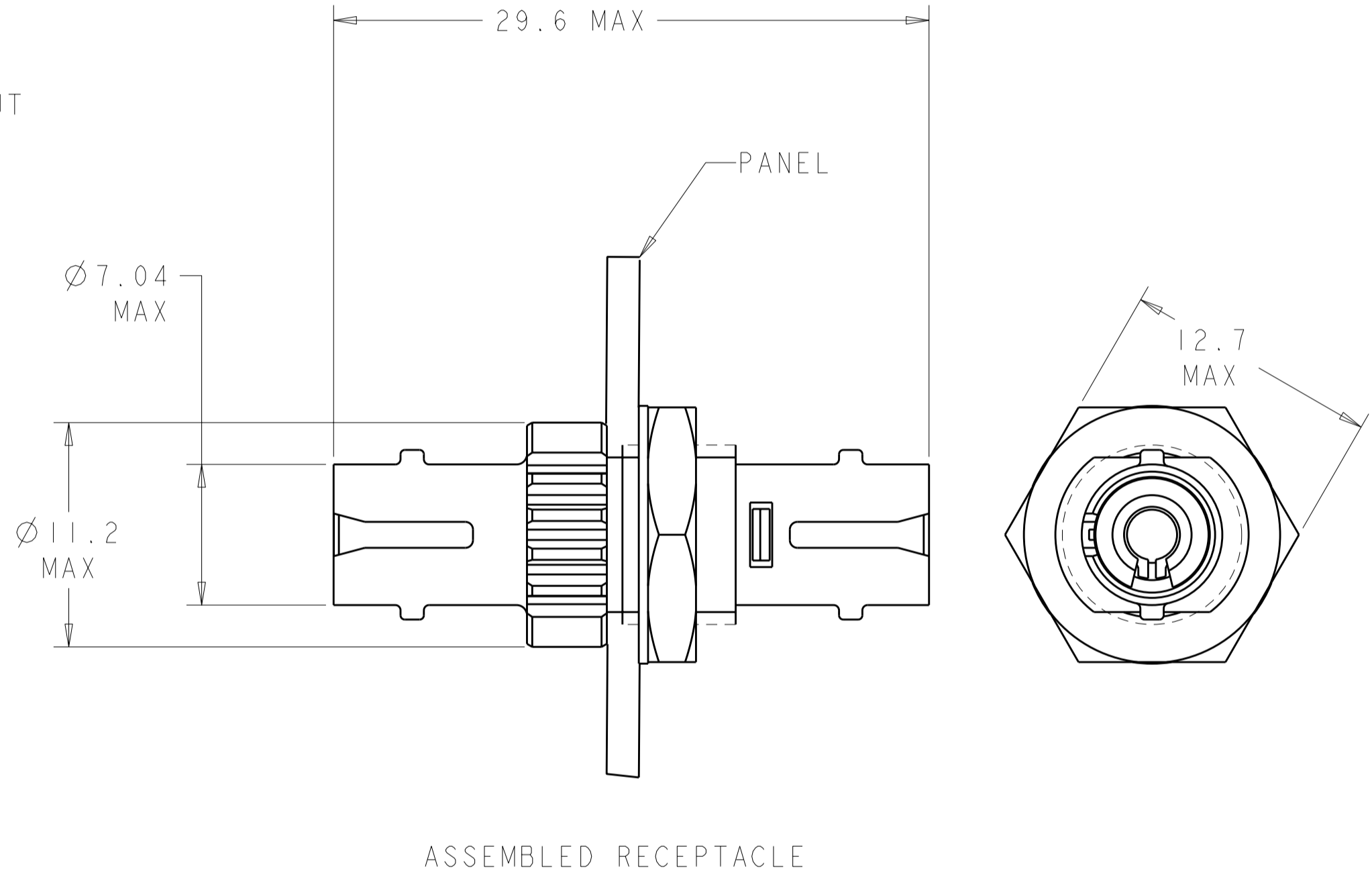
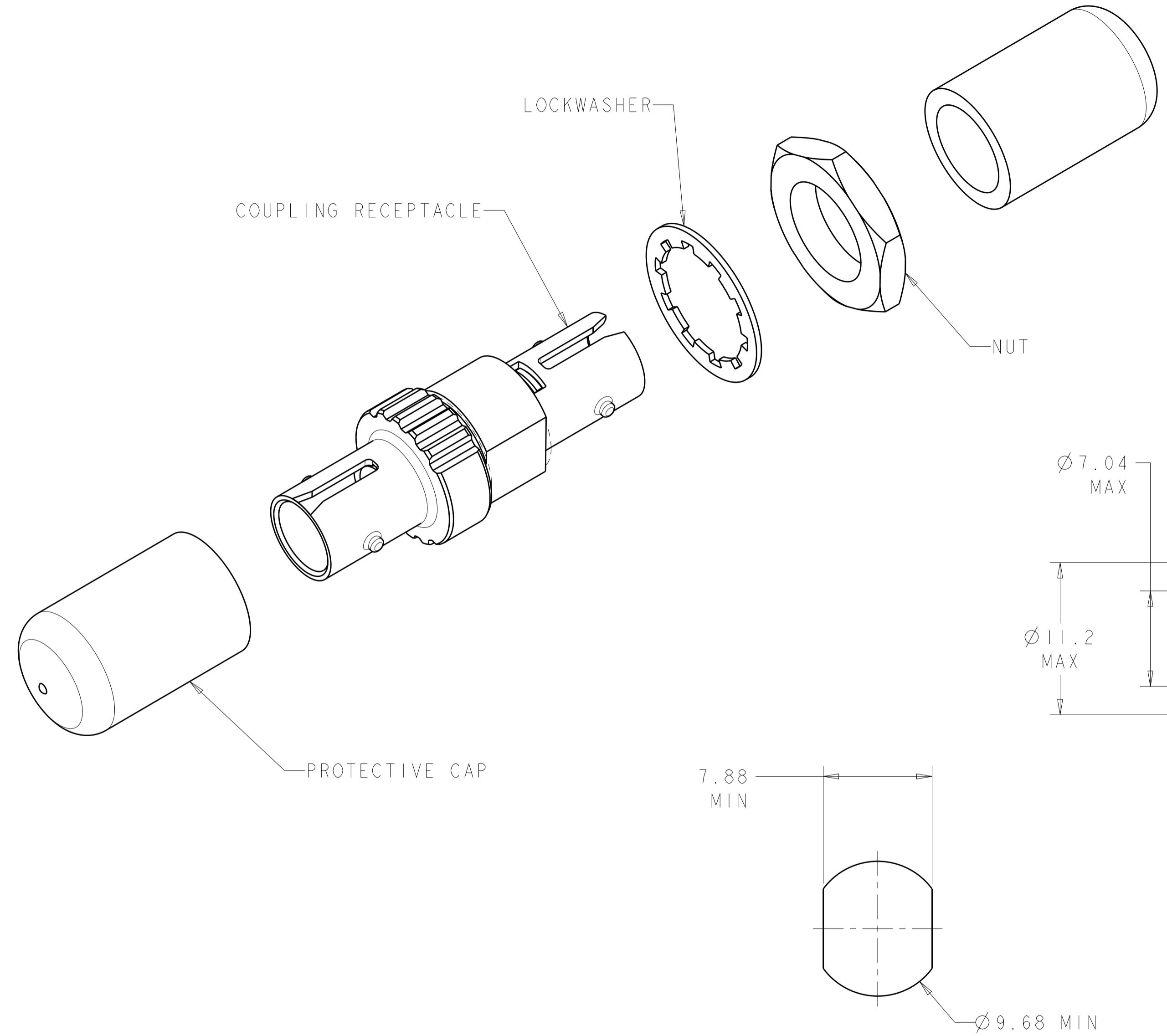


THIS DRAWING IS UNPUBLISHED. RELEASED FOR PUBLICATION 20
 © COPYRIGHT 20 BY - ALL RIGHTS RESERVED.

LOC	DIST	REVISIONS			
P	LTR	DESCRIPTION	DATE	DWN	APVD
CE	00	EI	REVISD PER ECO-11-005027	14MAR2011	RK HMR



1 MATERIAL:
 PROTECTIVE CAP: VINYL
 LOCKWASHER: STAINLESS STEEL
 NUT: NICKEL PLATED BRASS
 COUPLING RECEPTACLE
 HOUSING: ZINC
 RETAINER: PBT, COLOR: WHITE, UL94 V-0 RATED AT QUALIFYING THICKNESS.
 SLEEVE: PPS-GF40, COLOR: BLACK, UL94 V-0 RATED AT QUALIFYING THICKNESS.

2 BULK PACKAGE.

SUGGESTED PANEL CUTOUT

2	501381-2
	501381-1
	PART NUMBER

THIS DRAWING IS A CONTROLLED DOCUMENT.		DWN B. BRIGGS 10MAY2005	STE TE Connectivity	
DIMENSIONS: mm		CHK S. BUCHTER 10MAY2005		
TOLERANCES UNLESS OTHERWISE SPECIFIED:		APVD S. BUCHTER 10MAY2005	NAME COUPLING RECEPTACLE KIT, 2.5mm BAYONET	
0 PLC ±		PRODUCT SPEC	SIZE CAGE CODE DRAWING NO RESTRICTED TO	
1 PLC ±		APPLICATION SPEC	A200779C-501381	
2 PLC ±0.13		WEIGHT	SCALE 4:1 SHEET OF REV E1	
3 PLC ±		CUSTOMER DRAWING		
4 PLC ±				
ANGLES ±				
FINISH				