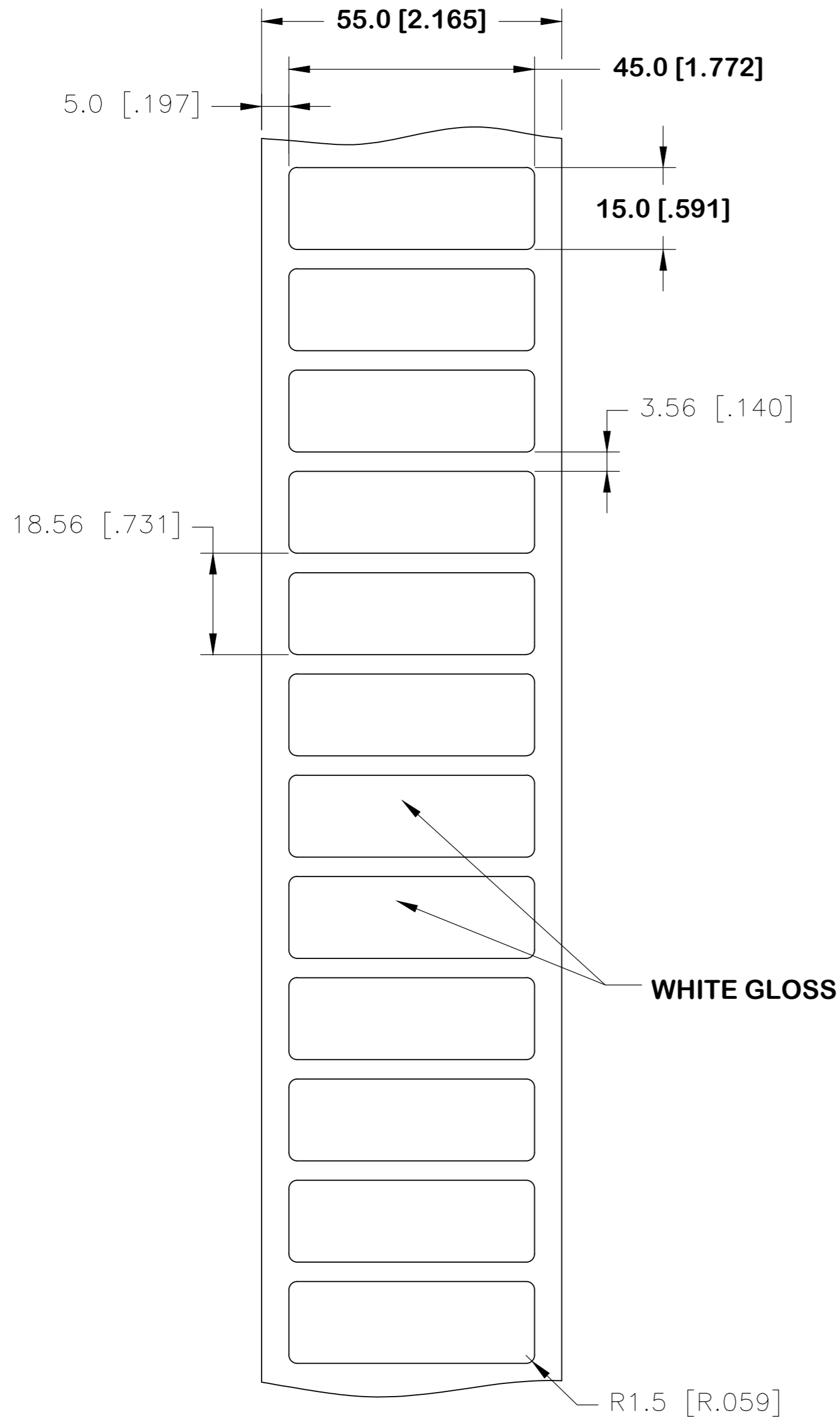
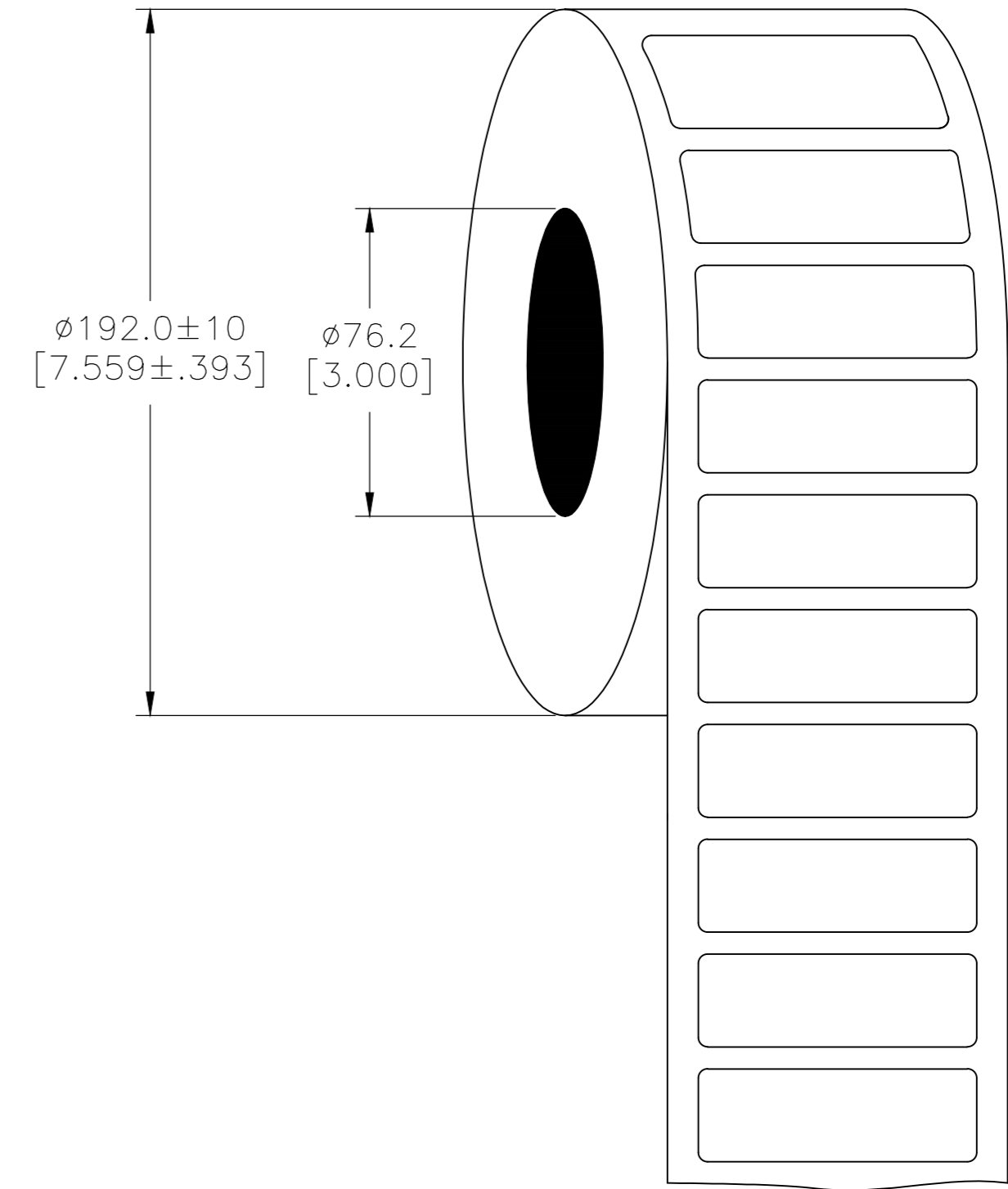


REVISIONS					
P	LTR	DESCRIPTION	DATE	DWN	APVD
	A	NEW DRAWING	07OCT2017	GK	DB
	A1	UL TABLE UPDATED	06JUN2018	GK	DB

LABEL AND LINER DESIGN



PRESENTATION



**OUTSIDE WOUND
 LABEL ACROSS: 1
 PER ROLL QTY: 1500**

All dimensions in mm [Inch]

TE PN: 2323554-1

UL-MARKING AND LABELLING SYSTEMS		
PGJ12 - Printing Materials - Component (UL 969)		
PGJ18 - Printing Materials Certified for Canada - Component (CSA C22.2 No. 0.15)		
File: MH17292	Product design: PL-9	Ribbon: TTB-XXXSC/YYYYAQ529

TOLERANCES mm [INCH]	
LABEL HEIGHT:	±0.3 [.012]
LABEL WIDTH:	±0.3 [.012]
WEB WIDTH:	±0.5 [.020]
VERTICAL REPEAT:	±0.5 [.020]*
HORIZONTAL REPEAT:	±0.5 [.020]*
LABEL POSITIONING:	±0.5 [.020]*
LEFT MARGIN:	±0.5 [.020]
QUANTITY:	-0 % +2 %
*NON ACCUMULATING	

MATERIAL		POLYESTER WHITE GLOSS	
ADHESIVE TYPE		ACRYLIC PE FOAM	
LINEAR		BROWN KRAFT	
DWN: GOPALAKRISHNA HV		TE Connectivity	
CHK: D.BURGAT		TE Connectivity	
APVD: D.BURGAT		NAME: PANEL LABEL-WHITE	
PRODUCT SPEC: TTDS-245		45.0 x 15.0mm [1.772 x 0.591inch]	
APPLICATION SPEC: -		SIZE: A2	
WEIGHT: 0.318g		CAGE CODE: FB1U7	
CUSTOMER DRAWING		DRAWING NO: PL-045015-1.5-9	
SCALE: NTS		SHEET: 1 of 1	
REV: A1		RESTRICTED TO: -	