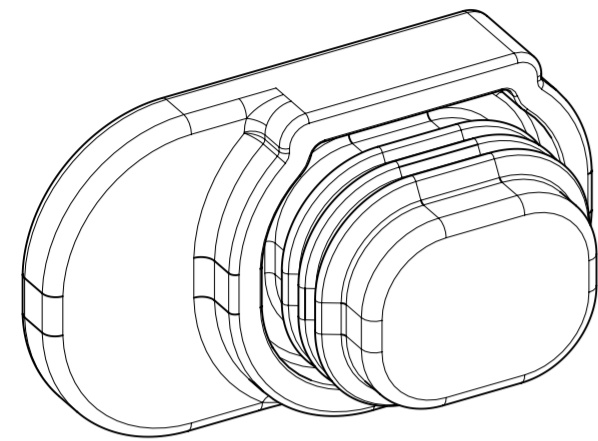
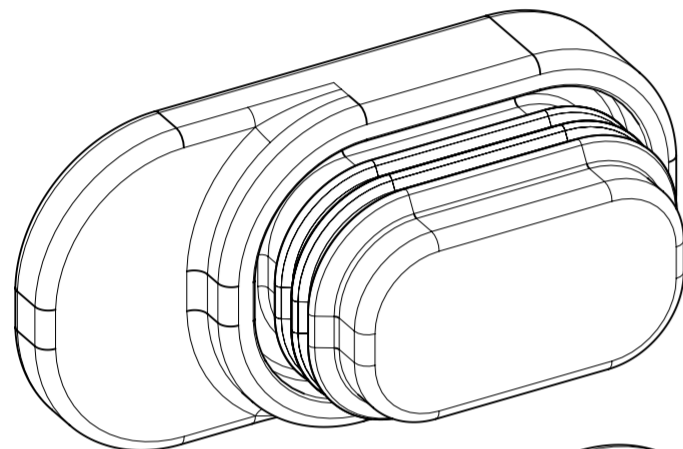


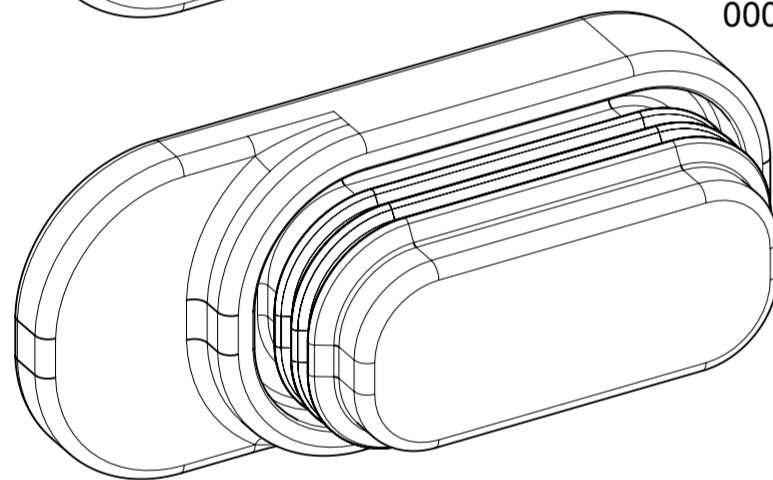
CONFIGURATIONS
220423-XXXX
SCALE 4:1



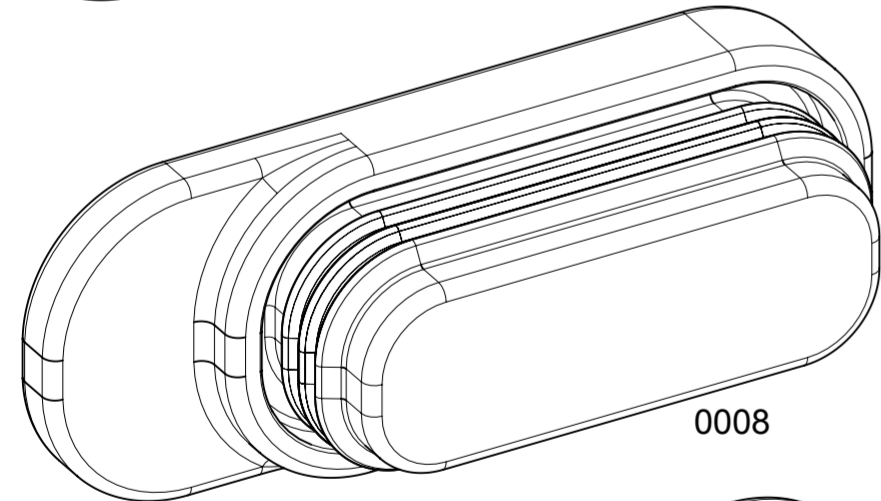
0002



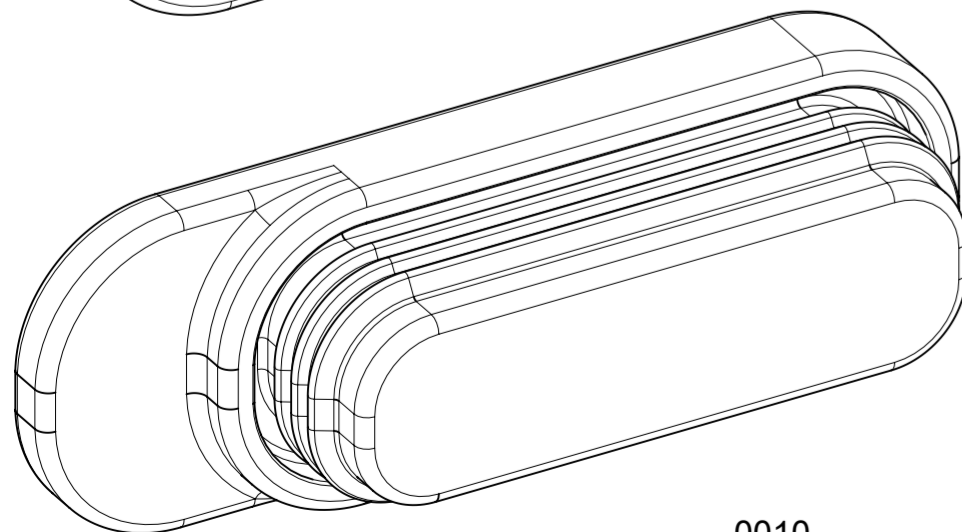
0004



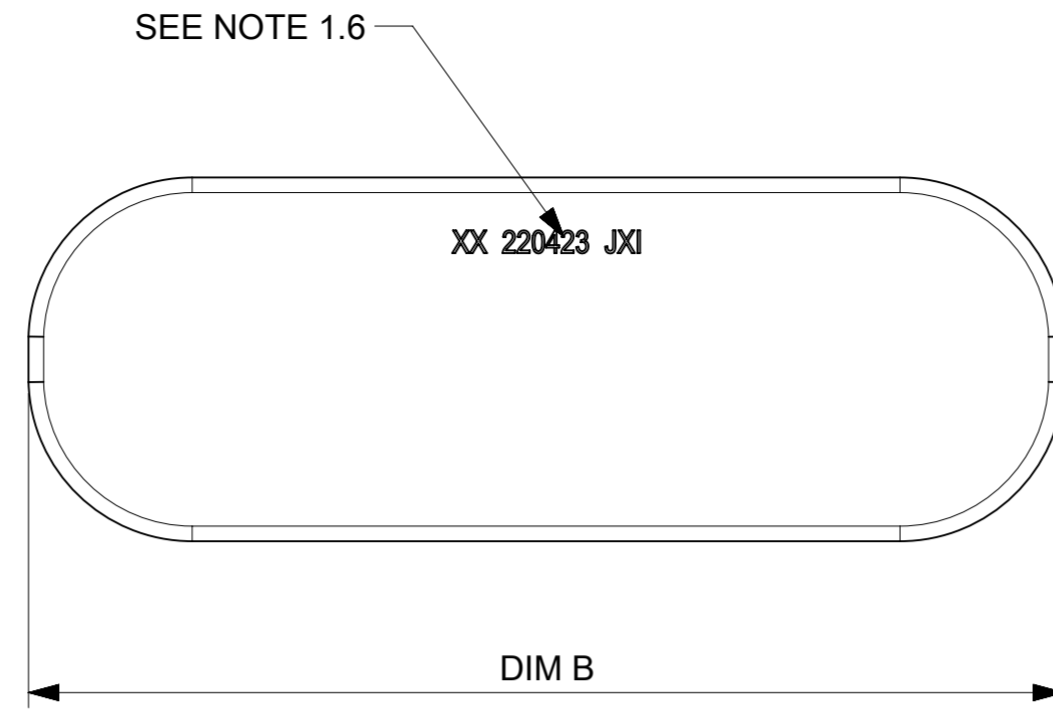
0006



0008



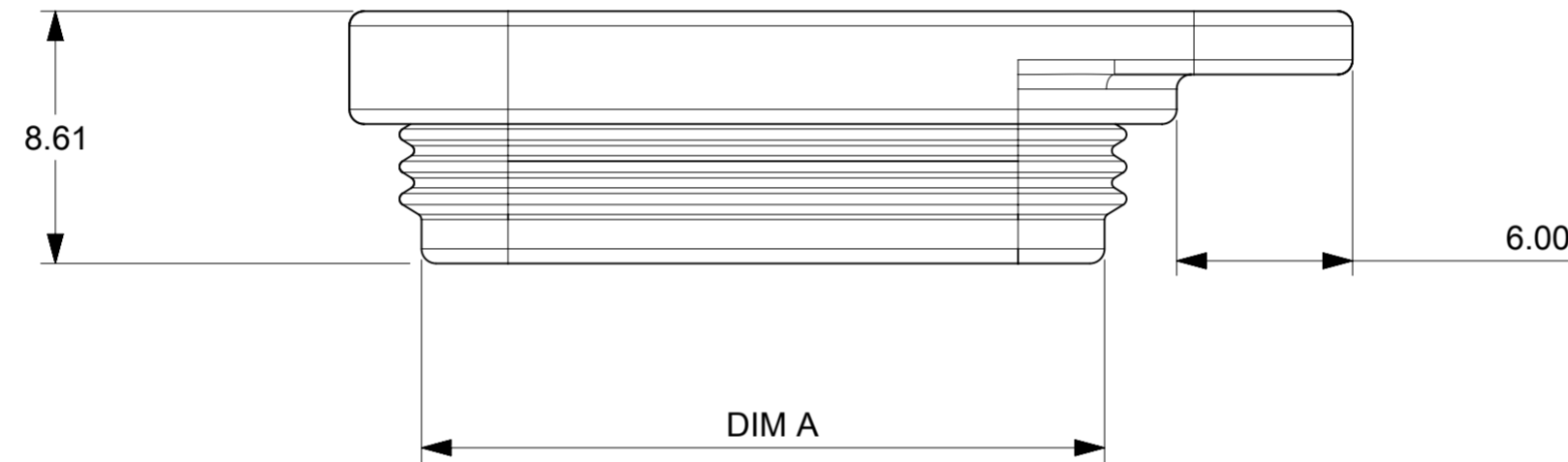
0010



SEE NOTE 1.6

XX 220423 JXI

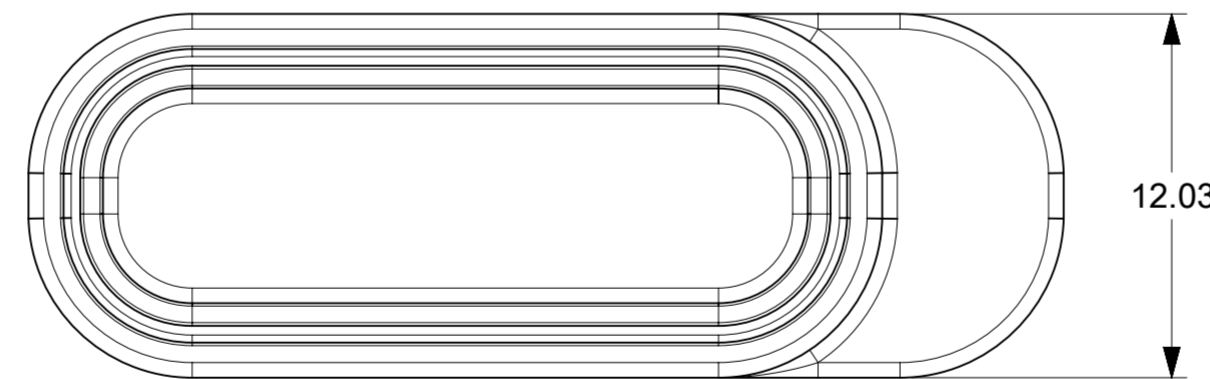
DIM B



8.61

DIM A

6.00



12.03

1. GENERAL:

- 1.1 PRODUCT SPECIFICATION: 2042200000-PS/2077760000-PS
- 1.2 APPLICATION SPECIFICATION: 2042200000-AS/2077760000-AS
- 1.3 TEST SUMMARY: 2042200000-TS
- 1.4 PACKAGING SPECIFICATION: 2204230000-PK
- 1.5 COSMETIC SPECIFICATION: PS-45499-002 CLASS C
- 1.6 MATES WITH: 204223, 207778 (SEE TABLE)
- 1.7 TEXT ON PART IS FOR REFERENCE ONLY. TEXT AND TEXT LOCATION MAY VARY.

2. DESIGN - MATERIALS:

- 2.1 MATERIAL: THERMOPLASTIC ELASTOMER COLOR: BLACK

PART NUMBER	DIM A	DIM B	SQUBA 1.8	SQUBA 3.6
2204230002	8.90	19.82	2 CIRCUIT PLUG	-
2204230004	12.50	23.42	4 CIRCUIT PLUG	2 CIRCUIT PLUG
2204230006	16.10	27.02	6 CIRCUIT PLUG	3 CIRCUIT PLUG
2204230008	19.70	30.62	8 CIRCUIT PLUG	4 CIRCUIT PLUG
2204230010	23.30	34.22	10 CIRCUIT PLUG	-

FUNCTIONAL SYMBOLS $\nabla_A = 0$ $\nabla_C = 0$ $\nabla_P = 0$ DIVISIONAL SYMBOLS	THIS DRAWING CONTAINS INFORMATION THAT IS PROPRIETARY TO MOLEX ELECTRONIC TECHNOLOGIES, LLC AND SHOULD NOT BE USED WITHOUT WRITTEN PERMISSION		CURRENT REV DESC:		
	DIMENSION UNITS	SCALE	EC NO: 732935		
	mm	4:1	DRWN: VENKAS5 2022/07/05		
	GENERAL TOLERANCES (UNLESS SPECIFIED)		CHK'D: VENKAS5 2022/12/21		
ANGULAR TOL ± °		APPR: MRAMAKRISHNA 2022/12/22		PRODUCT CUSTOMER DRAWING	
4 PLACES ±		INITIAL REVISION:		DOCUMENT NUMBER	
3 PLACES ±		DRWN: VENKAS5 2022/07/05		2204230000-SD	
2 PLACES ± 0.25		APPR: MRAMAKRISHNA 2022/12/22		DOC TYPE PSD	
1 PLACE ±		MATERIAL NUMBER		DOC PART 000	
0 PLACES ±		CUSTOMER		REVISION A	
DRAFT WHERE APPLICABLE MUST REMAIN WITHIN DIMENSIONS		THIRD ANGLE PROJECTION	DRAWING	SERIES	SHEET NUMBER
			A2-SIZE	220423	1 OF 1

molex

SQUBA PLUG WEATHER CAP

PRODUCT CUSTOMER DRAWING

2204230000-SD

GENERAL MARKET