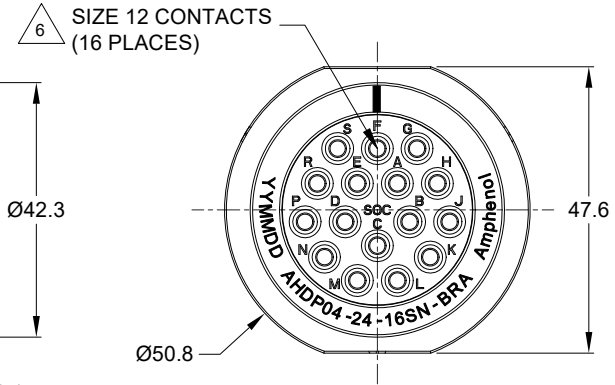


REVISIONS					
REV	ECO	DESCRIPTION	DATE	BY	APPR
A1	-	RELEASE NEW DRAWING	23FEB22	VITO	TOMMY

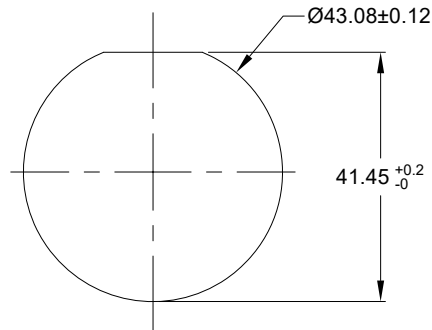


NOTES: UNLESS OTHERWISE SPECIFIED

- MATERIAL:  
HOUSING: THERMOPLASTIC; BLACK  
SEAL: SILICONE RUBBER
- MODIFICATIONS: BACKSHELL RING ADAPTER (BRA);  
STANDARD DIA. WIRE SEAL.
- SPECIFICATIONS:
  - OPERATING TEMPERATURE: -55°C TO +125°C.
  - DIELECTRIC WITHSTANDING VOLTAGE: LESS THAN 2 MILLIAMPS CURRENT LEAKAGE @ 1500 VOLTS AC.
  - INSULATION RESISTANCE: 1000 MEGOHM MIN @ 25°C.
  - MOISTURE RESISTANCE:  
IP68 (IM OF WATER FOR A PERIOD OF 24 HOURS, MATED CONDITION);  
IP69K (MATED CONDITION)
  - MATING CYCLE DURABILITY: 100 CYCLES
  - RoHS COMPLIANT
- MATING PART: AHDP06-24-16P\* (\* = SEAL TYPE)
- ALL DIMENSIONS ARE FOR REFERENCE USE ONLY.

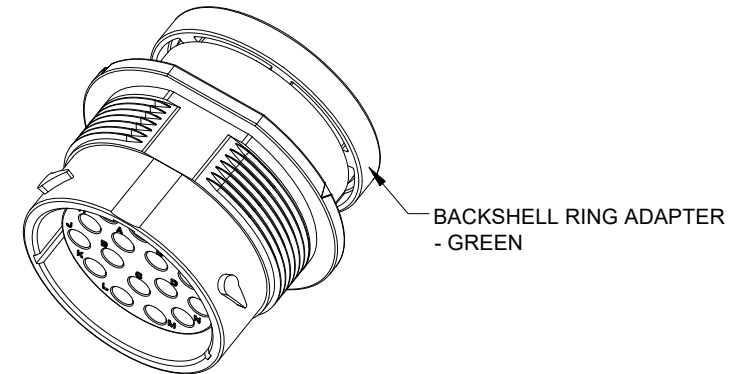
6 CONTACT SIZE AND WIRE RANGE:

CONTACT SIZE	MIN. INSUL O.D.	MAX. INSUL O.D.	TYPICAL WIRE RANGE	CURRENT RATING
12	3.40 mm (.134 in)	4.32 mm (.170 in)	10-14 AWG (6.0-2.0mm <sup>2</sup> )	25 AMPS



RECOMMENDED PANEL MOUNTING HOLE

RECOMMENDED PANEL THICKNESS: 1.6 TO 4.7MM



QUANTITY	AHDP04-24-16SN-BRA	DESCRIPTION	ITEM
		REF:HDP24-24-16SN-L017	
<b>MATERIALS LIST</b>			
<b>UNLESS OTHERWISE SPECIFIED</b> 1) All dimensions are in metric (mm). 2) Tolerances are as follows: 1 PL DEC ±0.30 Fractions ±1/64 2 PL DEC ±0.15 Angles ±1° 3) Note reference =		<b>SIGNATURES DATE</b> DRAWN: VITOLJ 23FEB22 CHECKED: SULLENZHANG 24FEB22 ENGINEER: APPROVAL: TOMMY XIE 25FEB22	
<b>MATERIAL SPECIFICATIONS:</b> WEIGHT: 52.2g		<b>Amphenol</b> Sine Systems - www.amphenol-sine.com 44724 Morley Drive Clinton Township, MI 48036	
<b>PROCESS SPECIFICATIONS:</b>		THIS DRAWING IS SUPPLIED FOR INFORMATION ONLY. DESIGN FEATURES, SPECIFICATIONS AND PERFORMANCE DATA SHOWN HEREON ARE THE PROPERTY OF THE AMPHENOL CORPORATION. NO RIGHTS OF REPRODUCTION ARE IMPLIED. ALL DIMENSIONS ARE SUBJECT TO NORMAL MANUFACTURING VARIATIONS.	
<b>NEXT ASSY:</b>		16POS, RECEPTACLE, SOCKET, SIZE 24, NORMAL SEAL, BRA, DURAMATE AHDP	
<b>SCALE:</b> NONE		<b>SIZE</b> B <b>TYPE</b> C-	<b>DWG NO:</b> AHDP04-24-16SN-BRA <b>REVISION</b> A1
		SHEET 1 OF 1	

7. RECEPTACLE IS SUPPLIED WITH DUST CAP.

TITLE: 16POS RECEPTACLE SOCKET SIZE 24 NORMAL SEAL BRA DURAMATE AHDP

DWG NO:

AHDP04-24-16SN-BRA

REV: A1

SH: 1

OF: 1