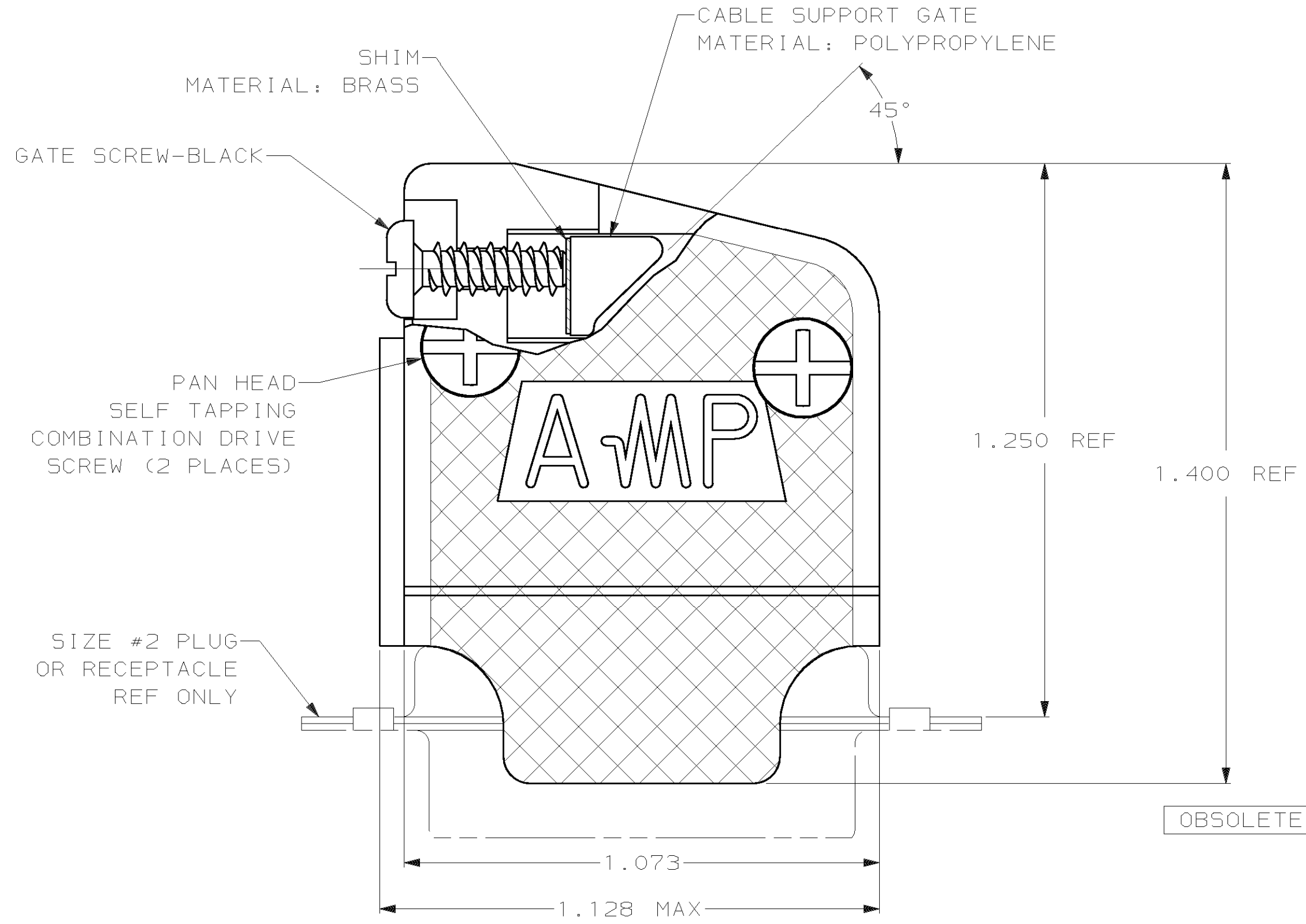
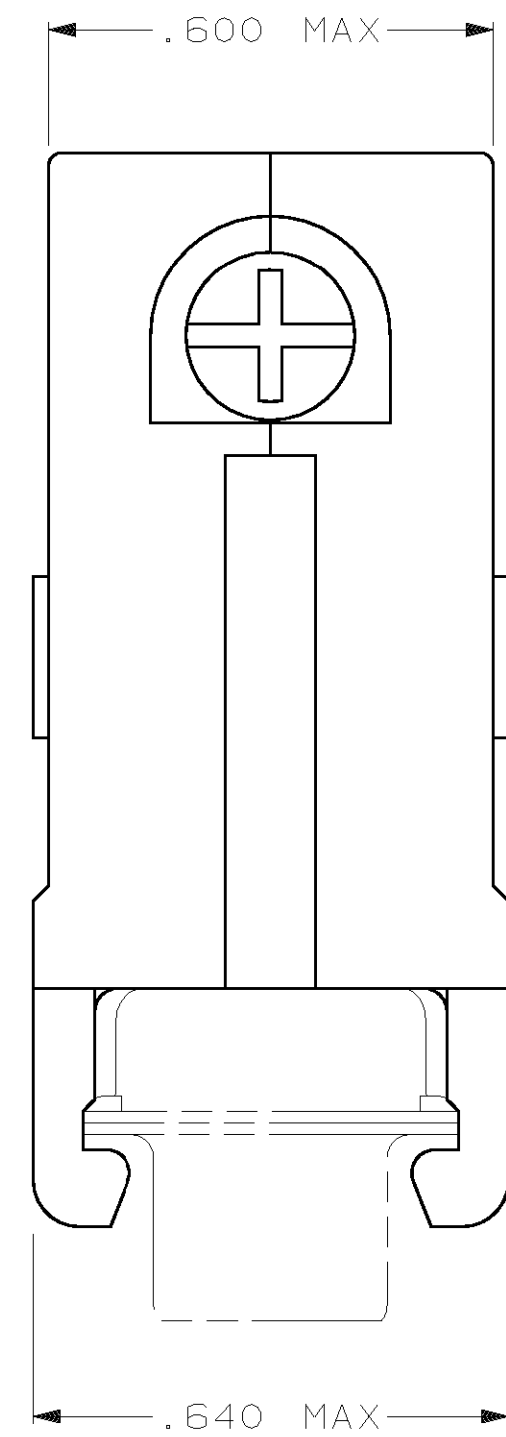
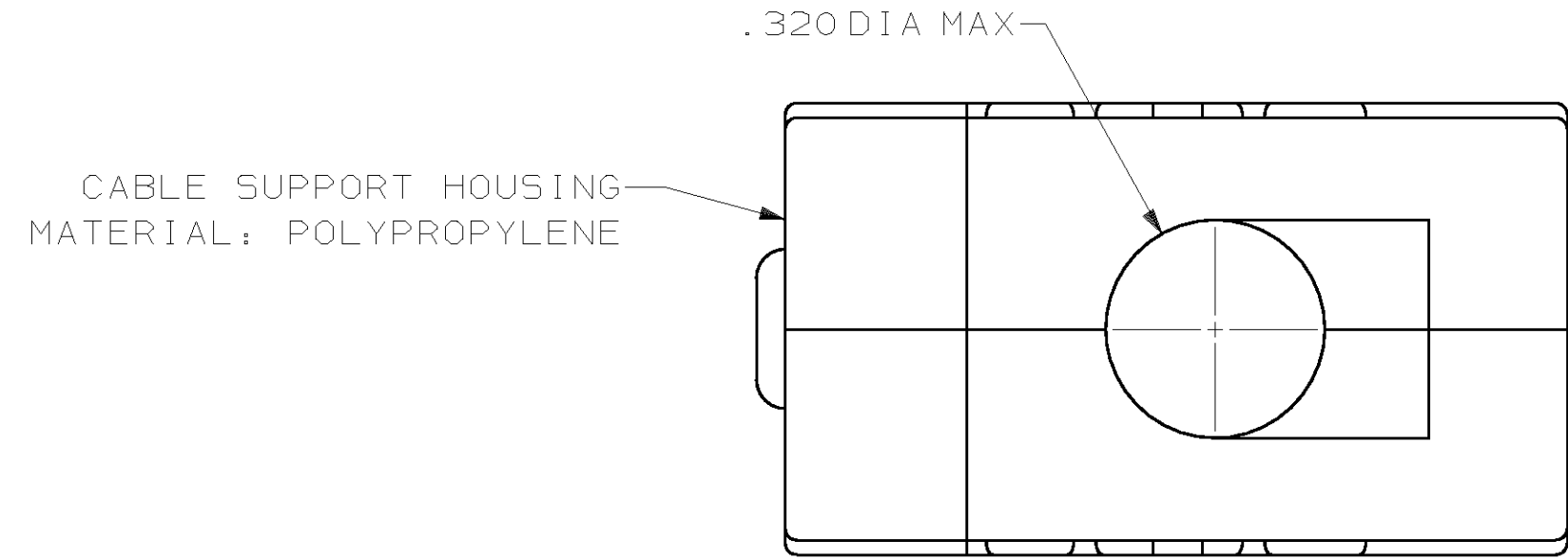


THIS DRAWING IS UNPUBLISHED. RELEASED FOR PUBLICATION
 © COPYRIGHT 19 BY AMP INCORPORATED. ALL INTERNATIONAL RIGHTS RESERVED.

LOC	DIST	P	F	ZONE	LTR	DESCRIPTION	DATE	APPD
BD	48				F	REDRAWN ON CAD	5-2-90	-
					G	OBS -3 PER ECN BD6420	07/20/92	RM
					H	REV PER EC 0U1D-0106-99	11 NOV 99	DK



OBSOLETE	AS SHOWN	206393-3
		206393-1
	PACKAGING	PART NUMBER

1. PARTS ARE PACKAGED UNASSEMBLED.

2 COMPONENTS INDIVIDUALLY BULK PACKED & SHIPPED AS A UNIT PACKAGE KIT.

DO NOT SCALE PRINT. UNLESS SPECIFIED DIMENSIONS IN INCHES TOLERANCES ON :	DR 5-2-90 J GALLUCCI BG	AMP INCORPORATED Harrisburg, Pa. 17105	
2 PLC DEC ± -	CHK 6-15-90 W.G.LENKER		
3 PLC DEC ± .005	APPD 7-9-90 J.E.WESTMAN	NAME	
ANGLES ± -	APPD 7-16-90 J.ASSINI	SELF TAPPING 45°/180° CABLE SUPPORT CLAMSHELL, SIZE 2 ASSEMBLY, AMPLIMITE™ HD-20	
MATERIAL	PRODUCT SPEC	SIZE	FSCM NO
SEE CALOUT		C	00779
FINISH	APPLICATION SPEC	SCALE	DRAWING NO
-		4:1	206393
	WEIGHT		SHEET
	-		1 OF 1